

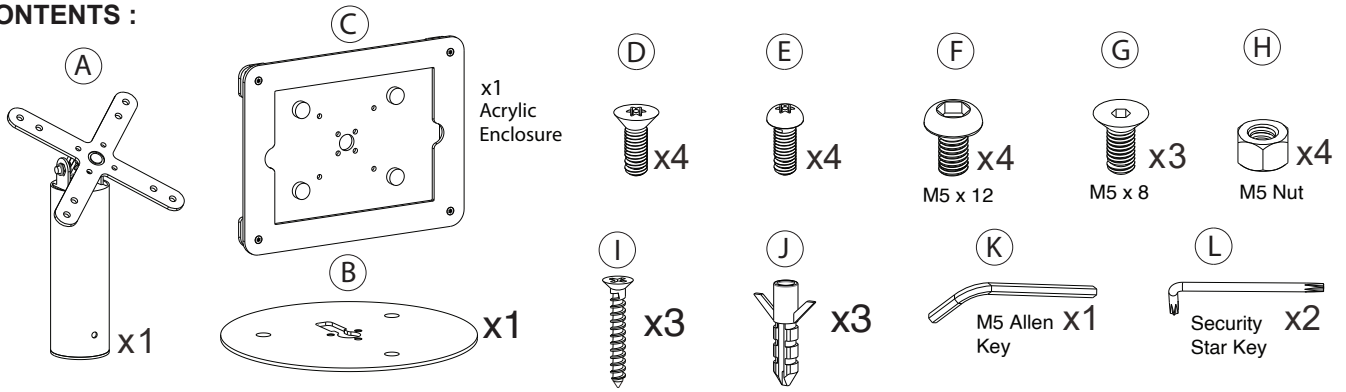


Rotating Desk Mount with Acrylic Security VESA Enclosure

PAD-HSKSBAE / PAD-HSKSWAE

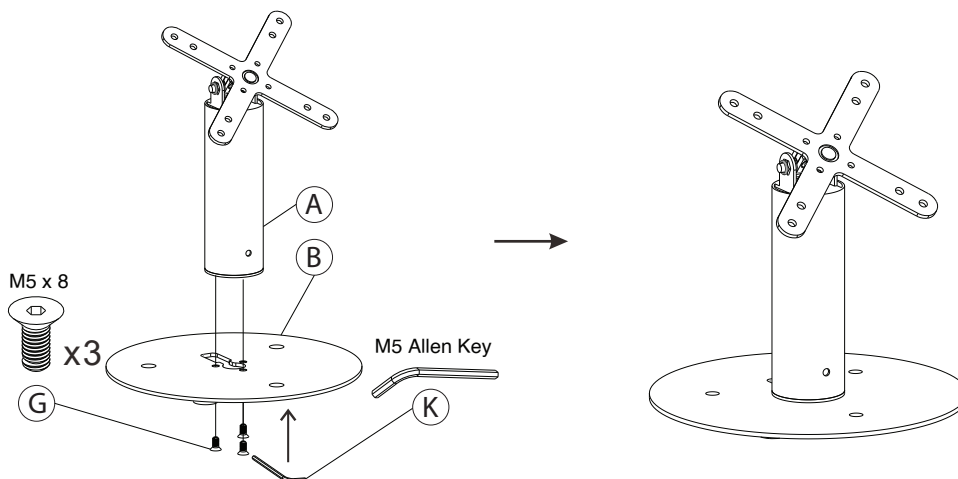
INSTALLATION - MANUAL

CONTENTS :



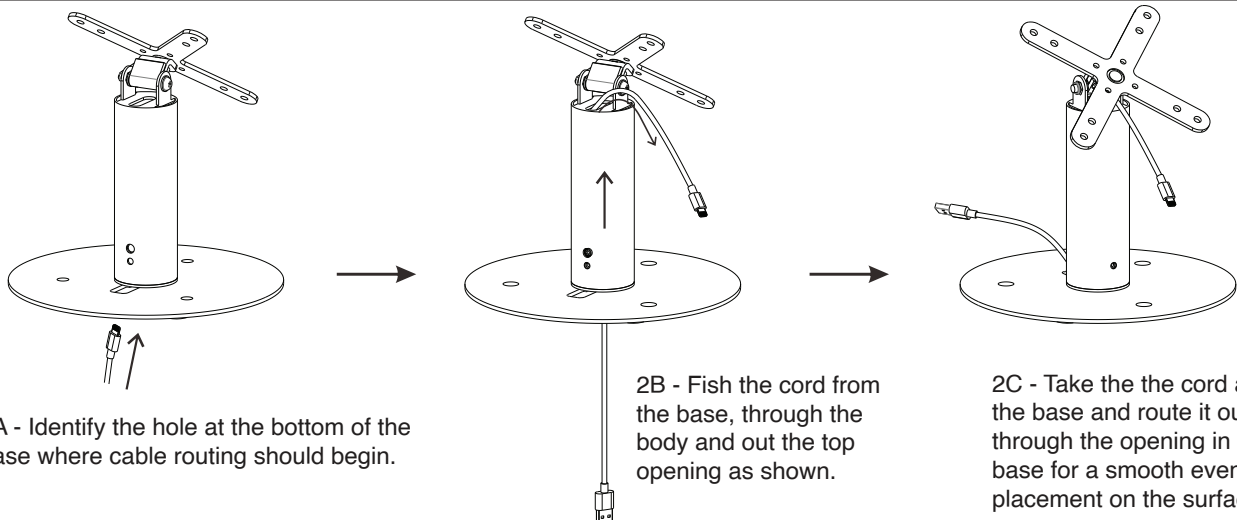
INSTALLATION:

1. Assembling base to body :



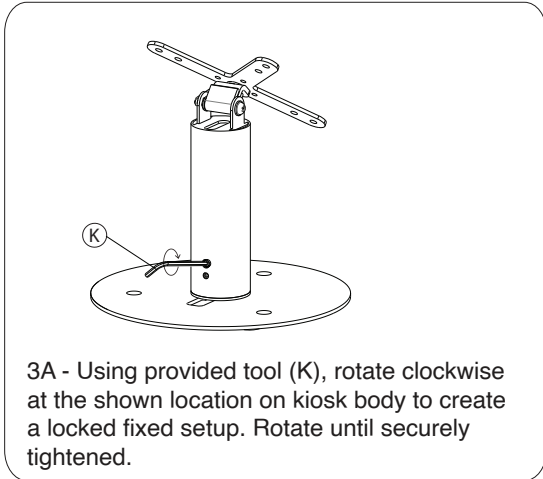
1A - Align holes at the base (B) with the holes on the base of the body (A). Rotate in screws (G) with tool provided (K) until securely tightened.

2. Setting up cable routing :

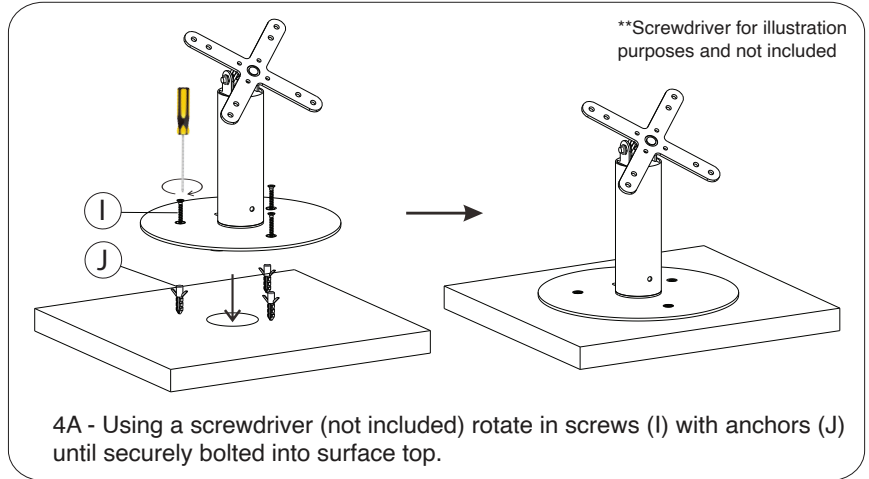


3. (Optional) Fasten to create a fixed setup:

4. (Optional) Mounting to surface top :

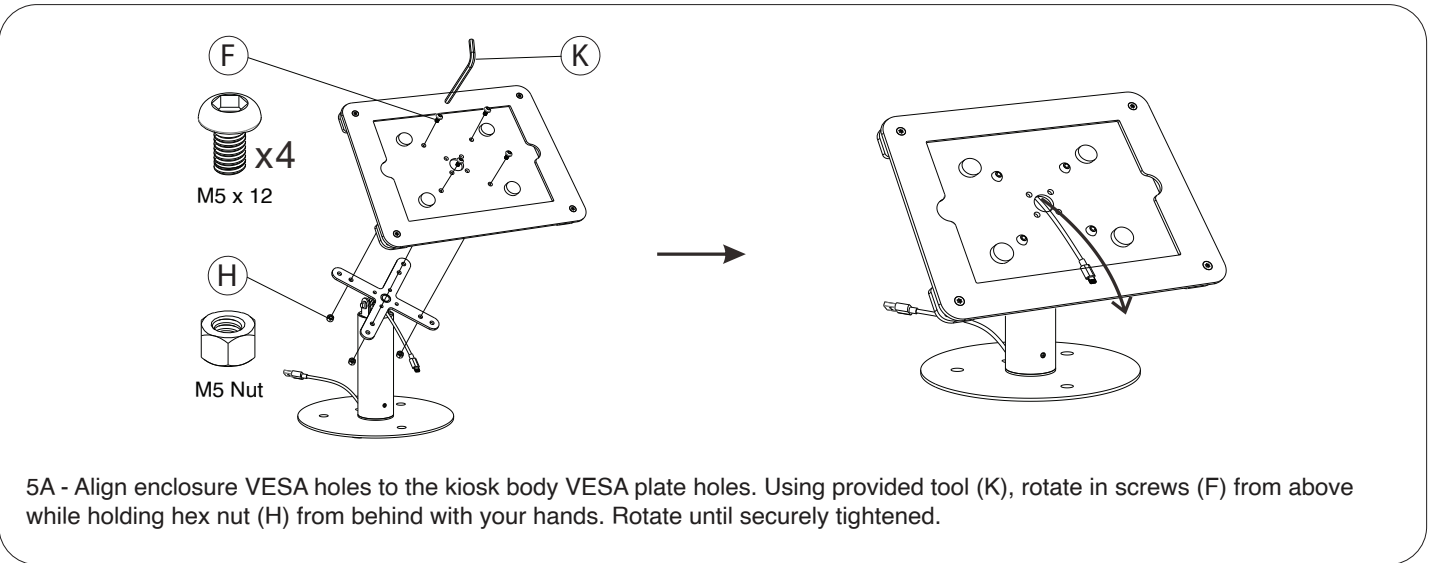


3A - Using provided tool (K), rotate clockwise at the shown location on kiosk body to create a locked fixed setup. Rotate until securely tightened.



4A - Using a screwdriver (not included) rotate in screws (I) with anchors (J) until securely bolted into surface top.

5. Attaching enclosure to stand :



5A - Align enclosure VESA holes to the kiosk body VESA plate holes. Using provided tool (K), rotate in screws (F) from above while holding hex nut (H) from behind with your hands. Rotate until securely tightened.

6. Setting up device and enclosure :

