



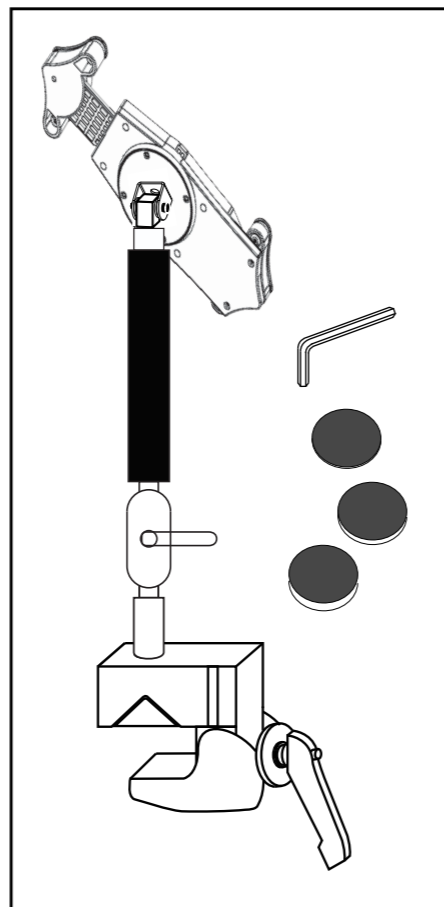
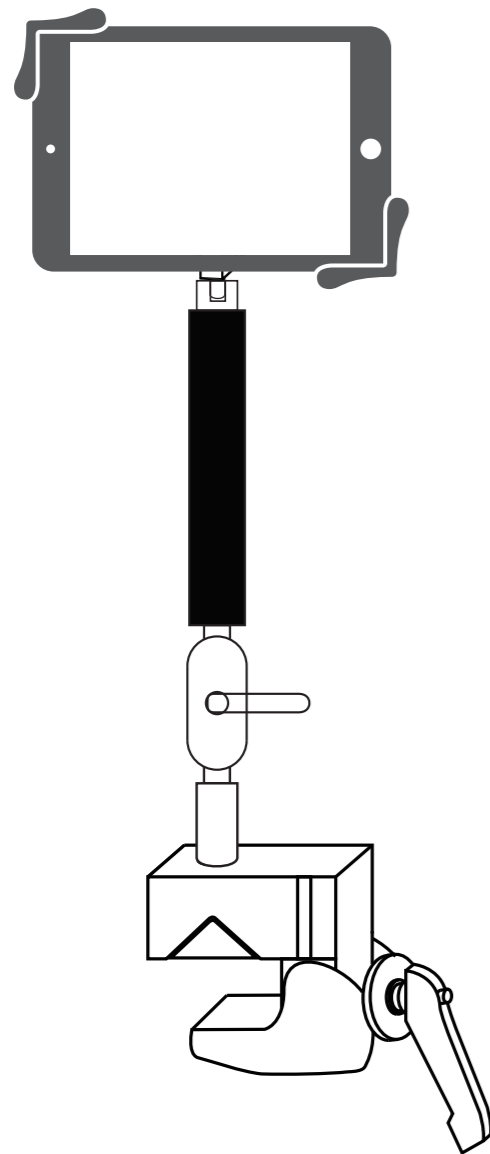
# PAD-HPC

CTA DIGITAL

## Heavy-Duty Pole Clamp for 7-13 Inch Tablets

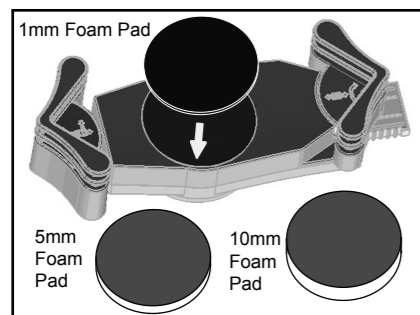
### INSTRUCTION MANUAL

Thank you for choosing CTA Digital's product. We hope that you will enjoy using it. Please follow the guidelines and instructions as laid out in this instruction manual.



#### Instructions:

##### 1. Attaching Foam Pad to Tablet Holder

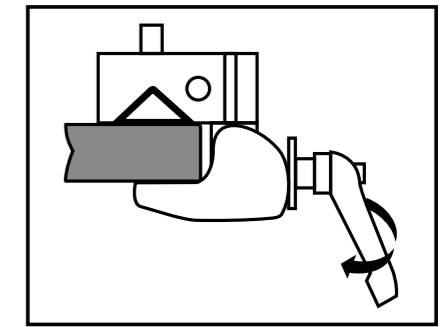
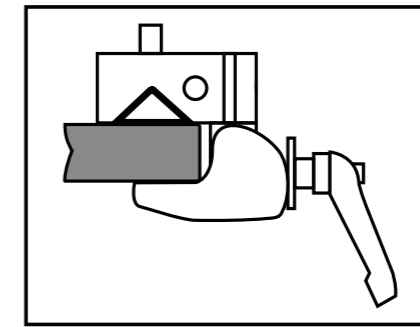
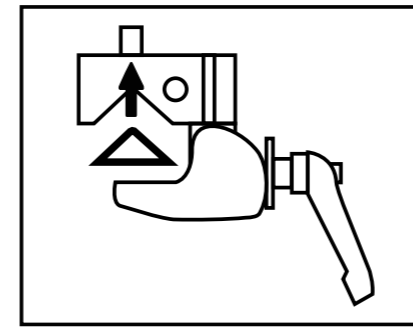


Select the appropriate foam pad according to the thickness of your tablet (or tablet in its case), then press adhesive side into center of the tablet holder.

Use this table to determine the appropriate foam pad to use with your tablet.  
**Note:** sizes refer to total tablet size with or without a case.

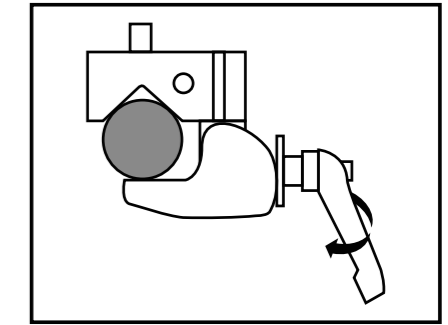
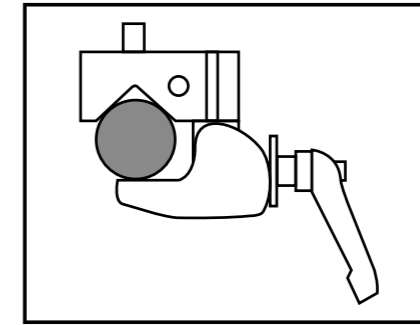
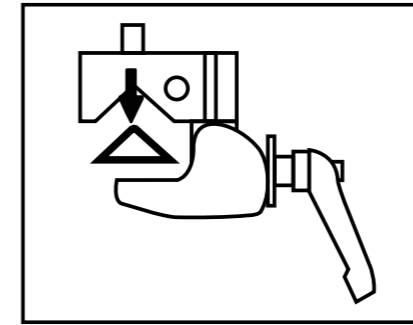
Foam Pad Thickness	Tablet Thickness:
1mm	0.67-1.06in / 17-27mm
5mm	0.51-0.91in / 13-23mm
10mm	0.31-0.71in / 8-18mm

#### 2. Installing the Clamp



##### On a Flat Surface:

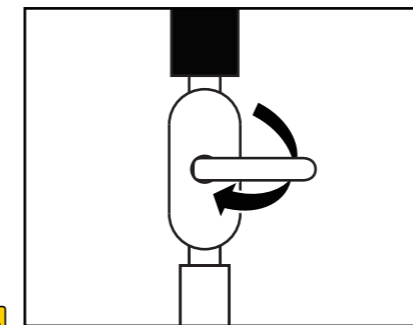
1. Place rubber grip flat insert into the clamp groove. Rotate tightening handle counter-clockwise to widen around surface ledge. Rotate clockwise to tighten until secure.



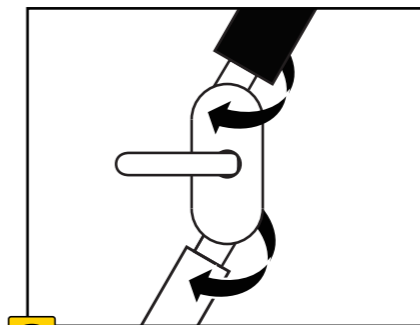
##### On a Tube:

2. Remove rubber grip flat insert from clamp groove. Rotate tightening handle counter-clockwise to widen around surface ledge. Rotate clockwise to tighten until secure.

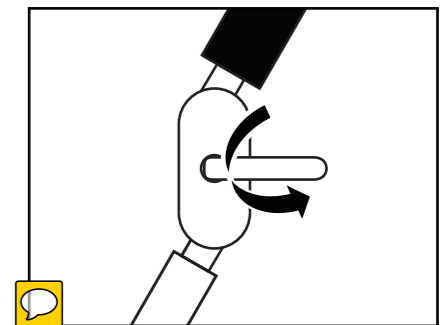
#### 3. Adjusting the Multi-Flex Pole



Pull back the joint clasp.

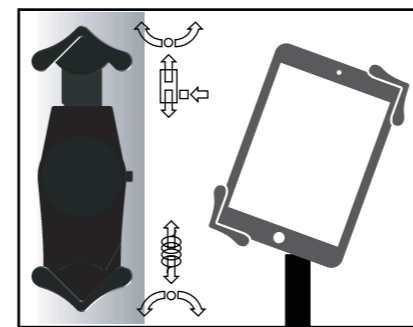


Adjust pole to desired position.

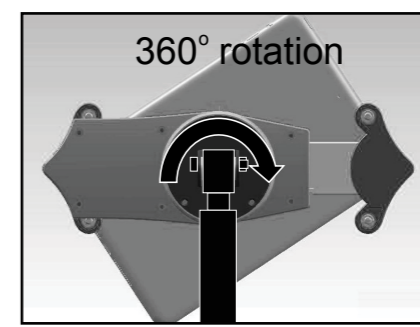


Push joint clasp back inward to lock joint in place.

#### 4. Installing your Device and Adjusting the Tablet holder



Press button on side of tablet holder to slide open. Insert your tablet against spring arm, then slide other end back down.



Use the Allen key to tighten and loosen the connection screw, adjusting ease of rotation in the tablet holder.

