



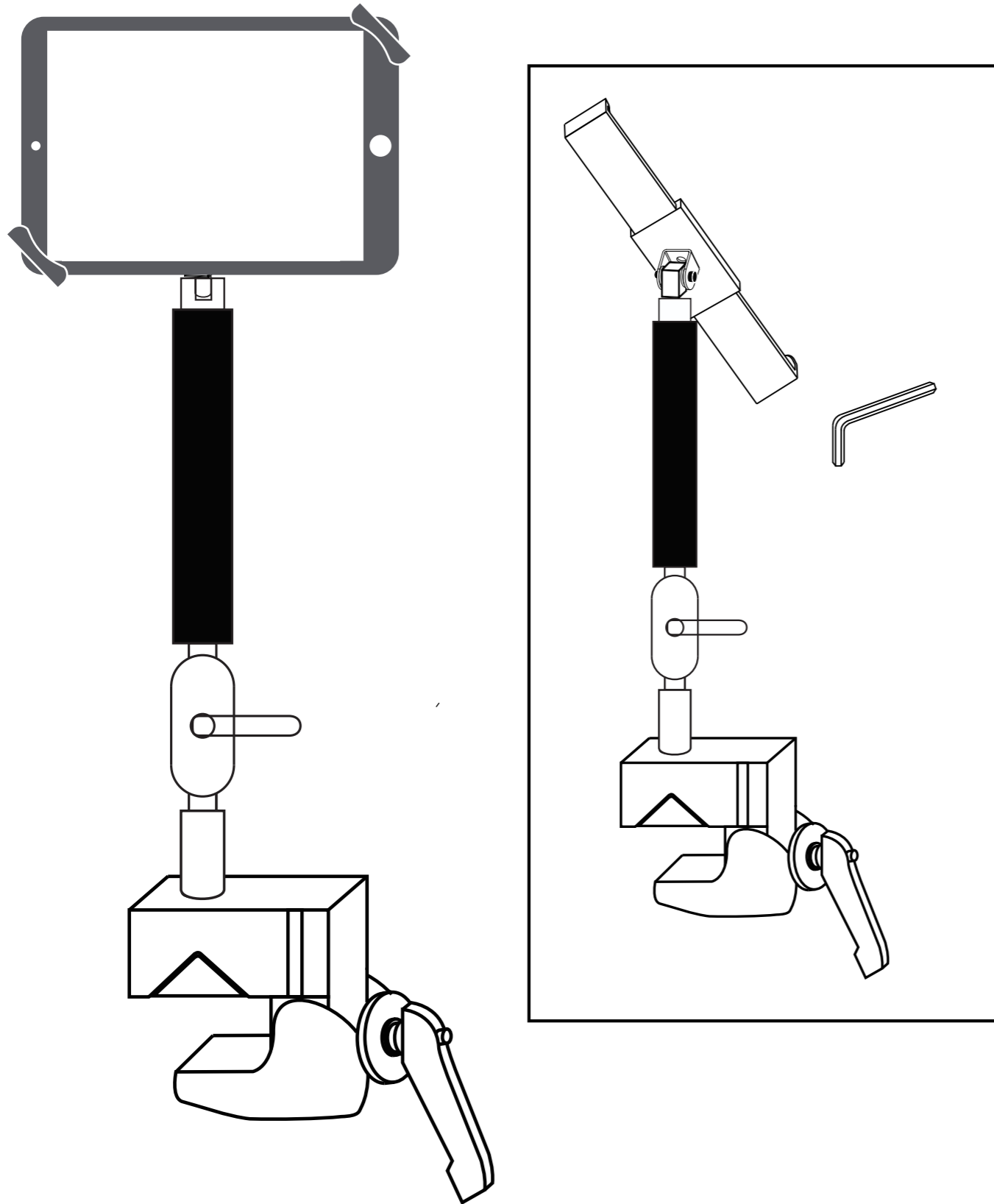
CTA DIGITAL

PAD-HPCS

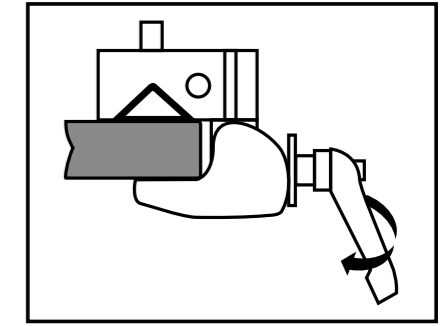
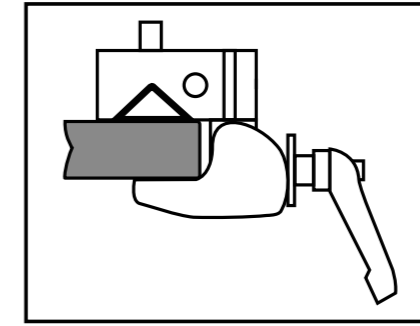
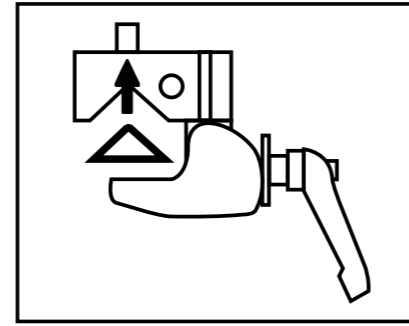
Heavy-Duty Security Pole Clamp for 7-13 Inch Tablets

INSTRUCTION MANUAL

Thank you for choosing CTA Digital's product. We hope that you will enjoy using it. Please follow the guidelines and instructions as laid out in this instruction manual.

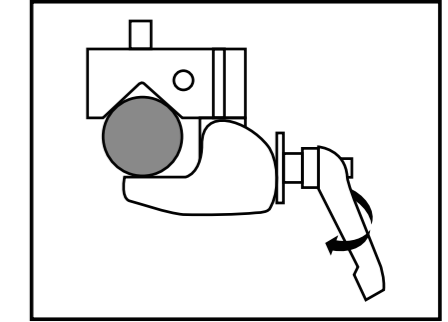
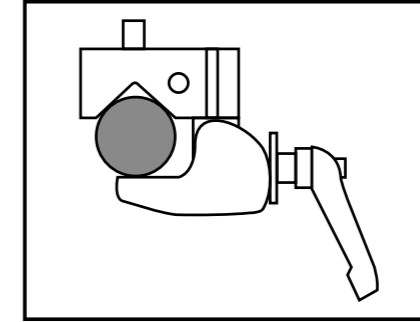
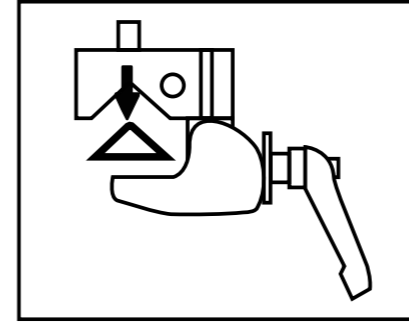


2. Installing the Clamp



On a Flat Surface:

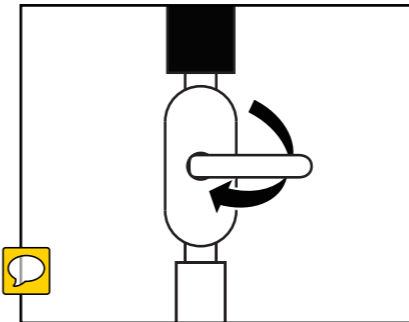
1. Place rubber grip flat insert into the clamp groove. Rotate tightening handle counter-clockwise to widen around surface ledge. Rotate clockwise to tighten until secure.



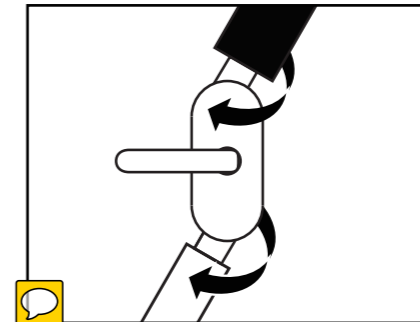
On a Tube:

2. Remove rubber grip flat insert from clamp groove. Rotate tightening handle counter-clockwise to widen around surface ledge. Rotate clockwise to tighten until secure.

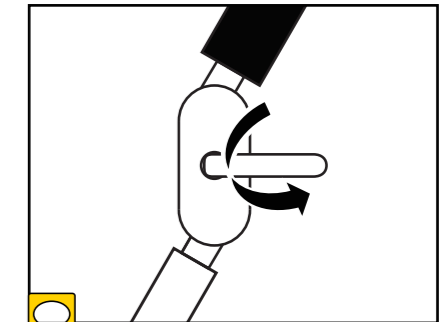
3. Adjusting the Multi-Flex Pole



Release the knob to loosen the universal joint.

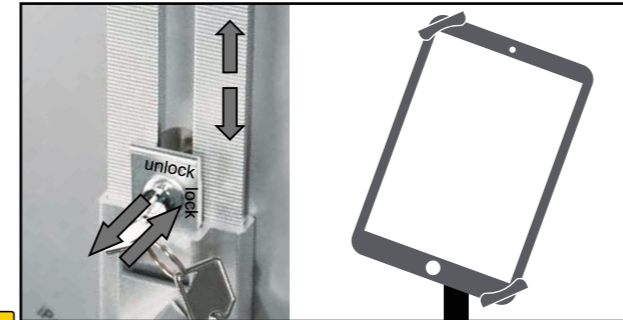


Adjust the pole by rotating the pole and universal joint.



Lock the knob to tighten universal joint again.

4. Installing your Device and Adjusting the Tablet holder



1. Unlock the holder with the key to slide out the arms, install your tablet and adjust the arms to hold it well and then lock the holder again.



Tighten and loosen the connection screw to adjust ease of rotation.