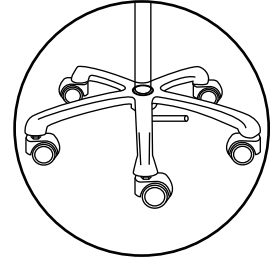
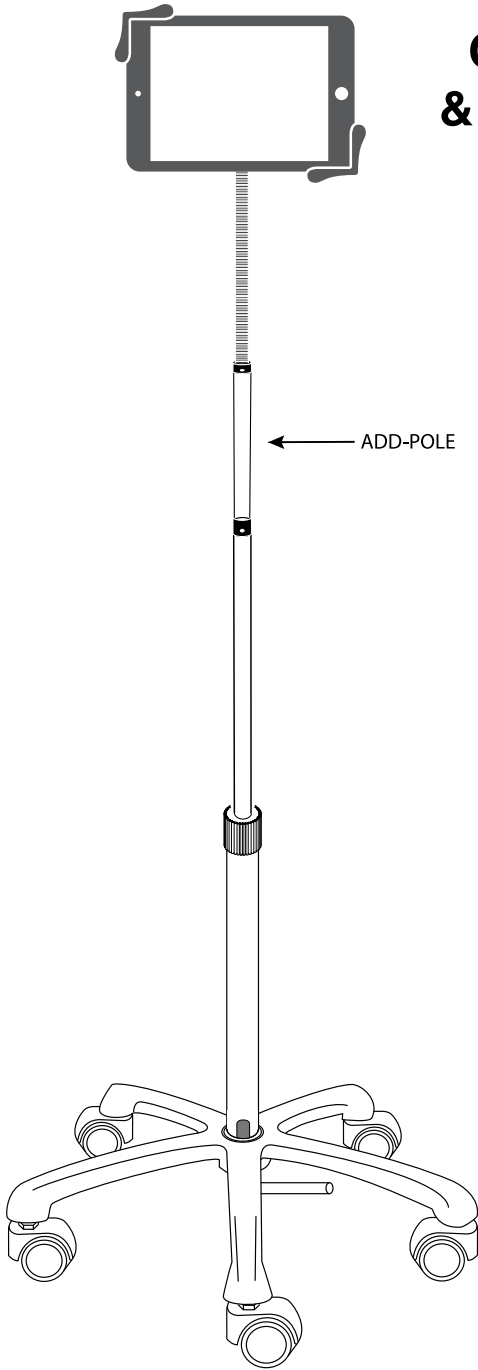




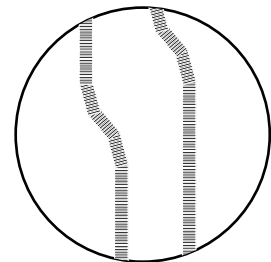
Heavy Duty Gooseneck Floor Stand & Connecting Pole Add-on

INSTRUCTION MANUAL

PAD-HFS & ADD-POLE

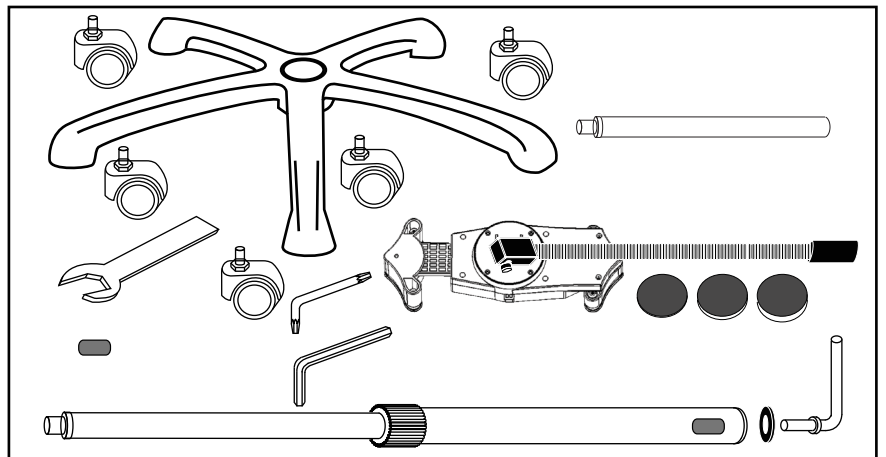


Attachable and detachable swivel casters



Ultra-flexible and sturdy gooseneck

Package Contents:



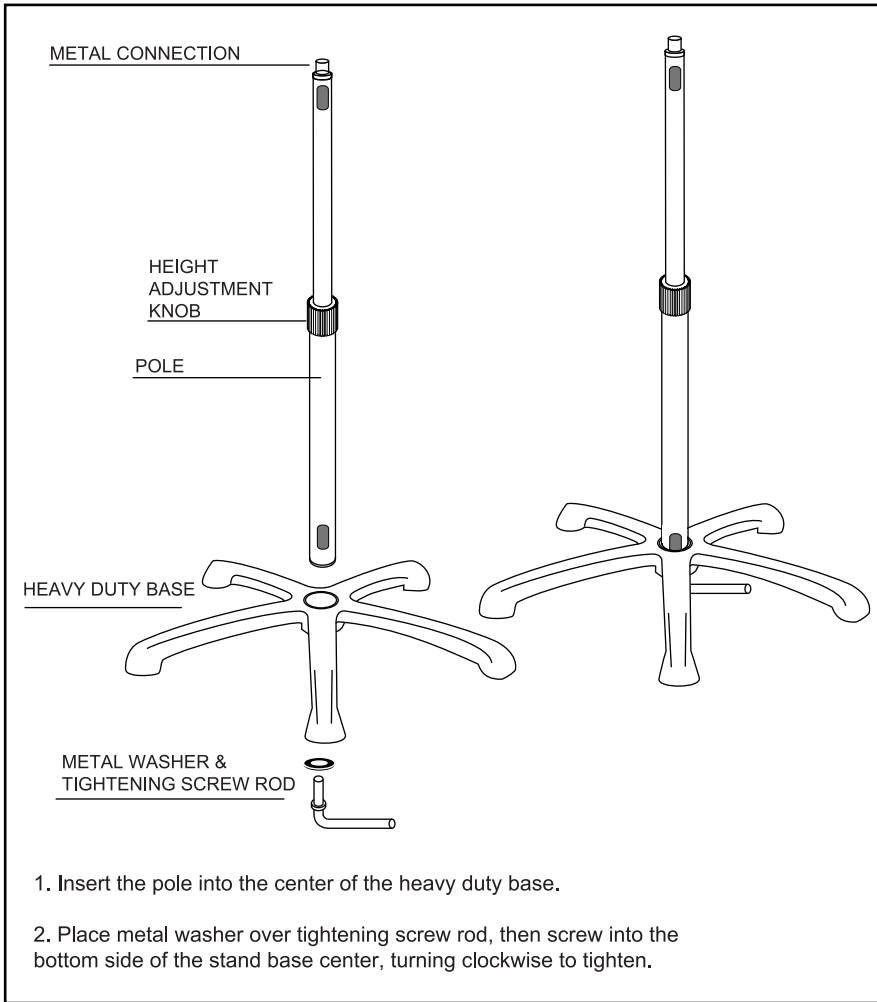
Instructions:

1. Going the Cable Through the Cable Routings on the Pole

This product allows you to go through the cable from the cable routings on the pole.

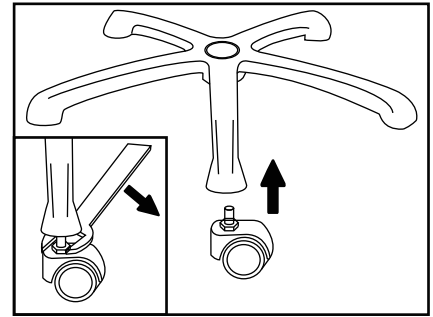
1. Put the top pole to the lowest position, insert the cable into the cable routing on the bottom pole and push inward.
2. Draw out the top pole and continue to push inward the cable until the cable head is visible through the cable routing on the top pole.
3. Draw out the cable head from the cable routing on the top pole.

2. Stand Assembly:

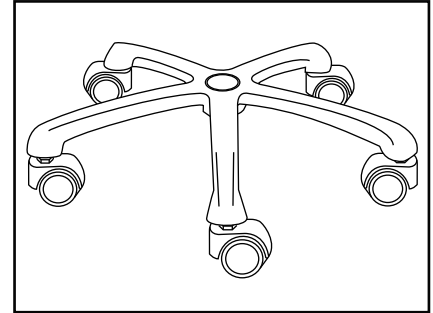


Attaching wheels:

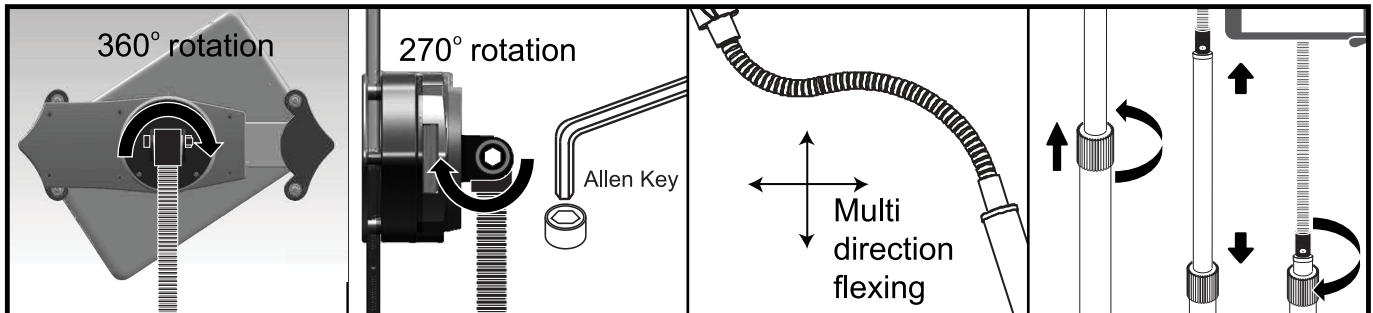
Connect wheels to stand base before attaching pole.



Screw wheels into floor base by hand, then use wrench to tighten.



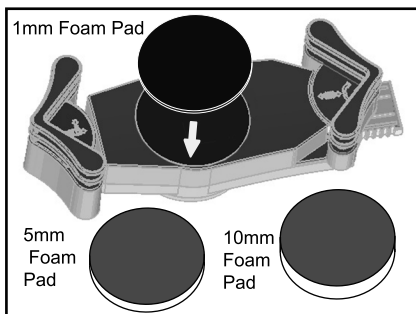
3. Adjustment:



Use the bigger Allen key to tighten and loosen the gooseneck connection screw, adjusting ease of rotation in the tablet holder.

Gooseneck flexes by hand. To adjust the height of the pole, turn plastic cover counter-clockwise and raise or lower the pole to desired height. Turn clockwise again to lock it in place.

Attaching Foam Pad to Tablet Holder



Use this table to determine the appropriate foam pad to use with your tablet.

Note: sizes refer to total tablet size with or without a case.

Foam Pad Thickness	Tablet Thickness
1mm	0.67-1.06in / 17-27mm
5mm	0.51-0.91in / 13-23mm
10mm	0.31-0.71in / 8-18mm

Select the appropriate foam pad according to the thickness of your tablet (or tablet in its case), then press adhesive side into center of the tablet holder.

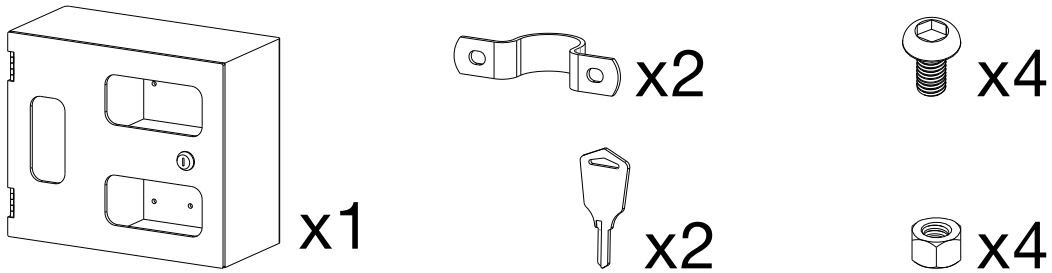


Security Acrylic Sanitizing Station

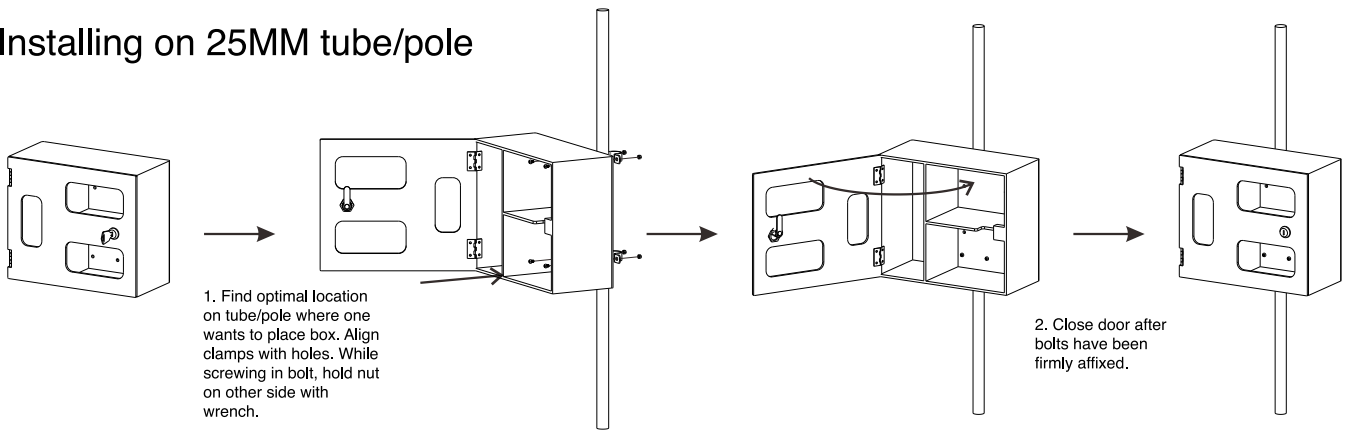
INSTRUCTION MANUAL

ADD-GLVBOX

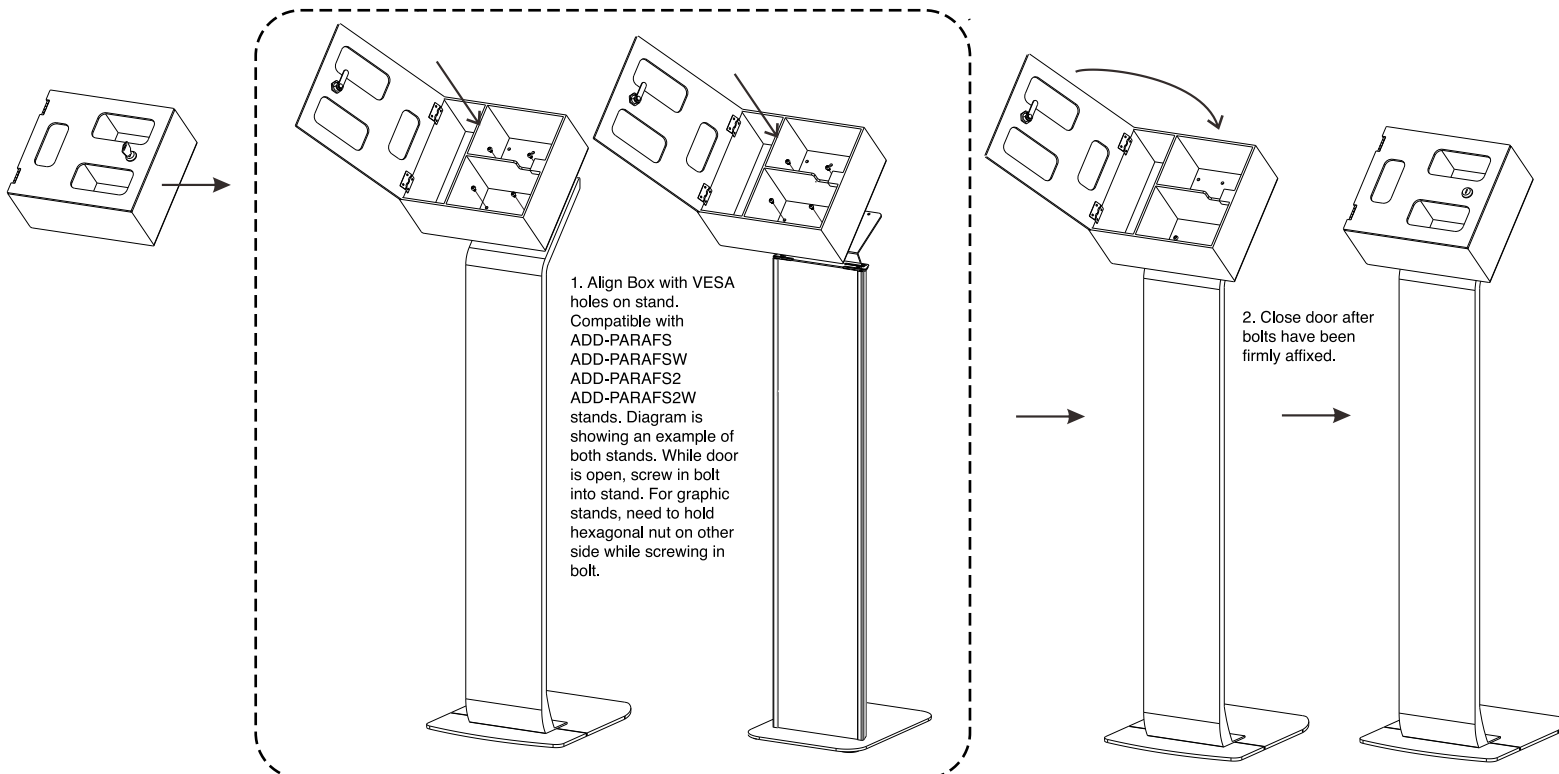
Component Checklist



Installing on 25MM tube/pole



Installing on a VESA 75x75 size

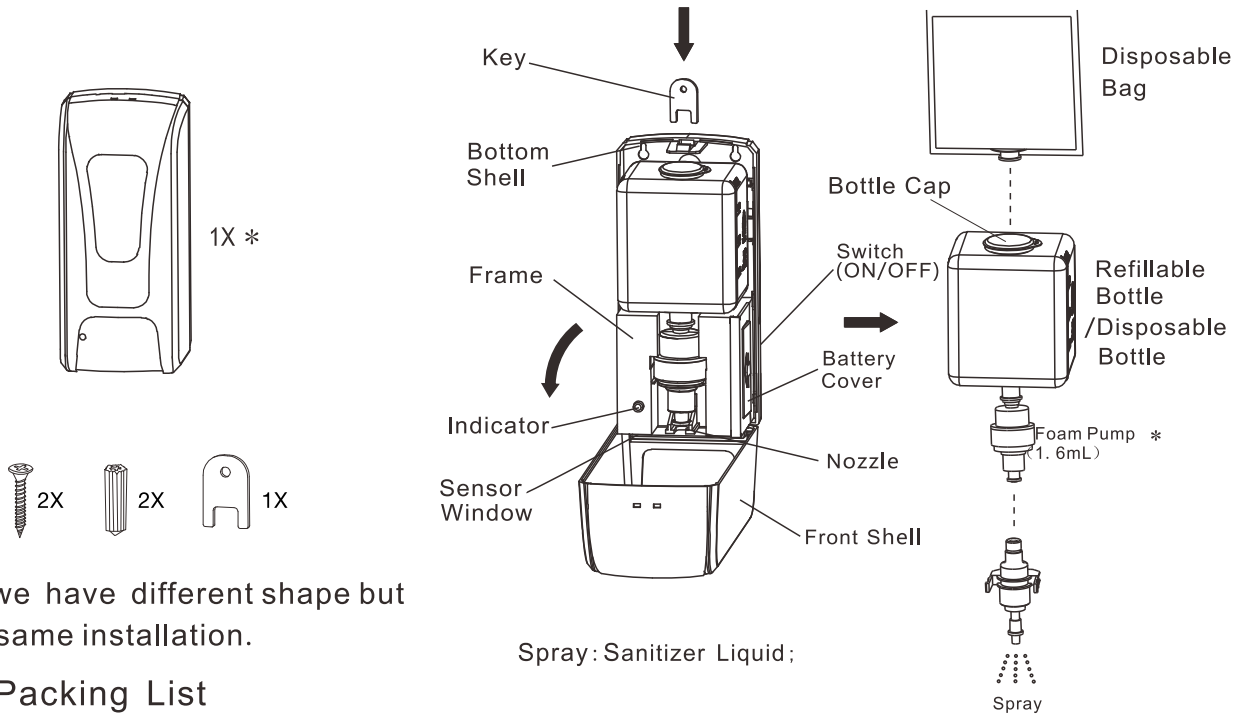




Automatic Hand Sanitizer Dispenser

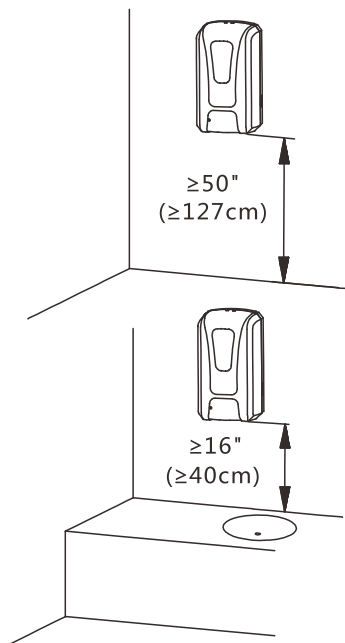
INSTRUCTION MANUAL

ADD-AUTOSP



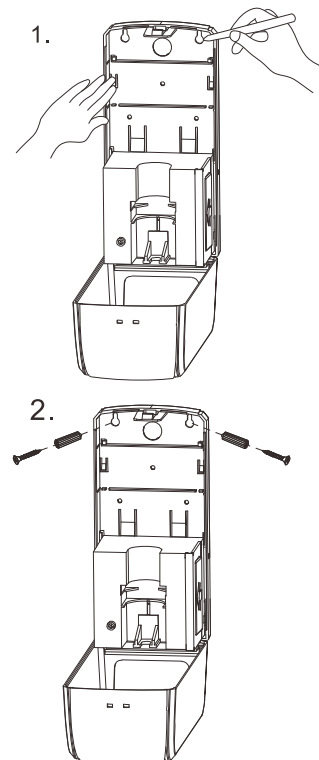
A Packing List

B Part Name

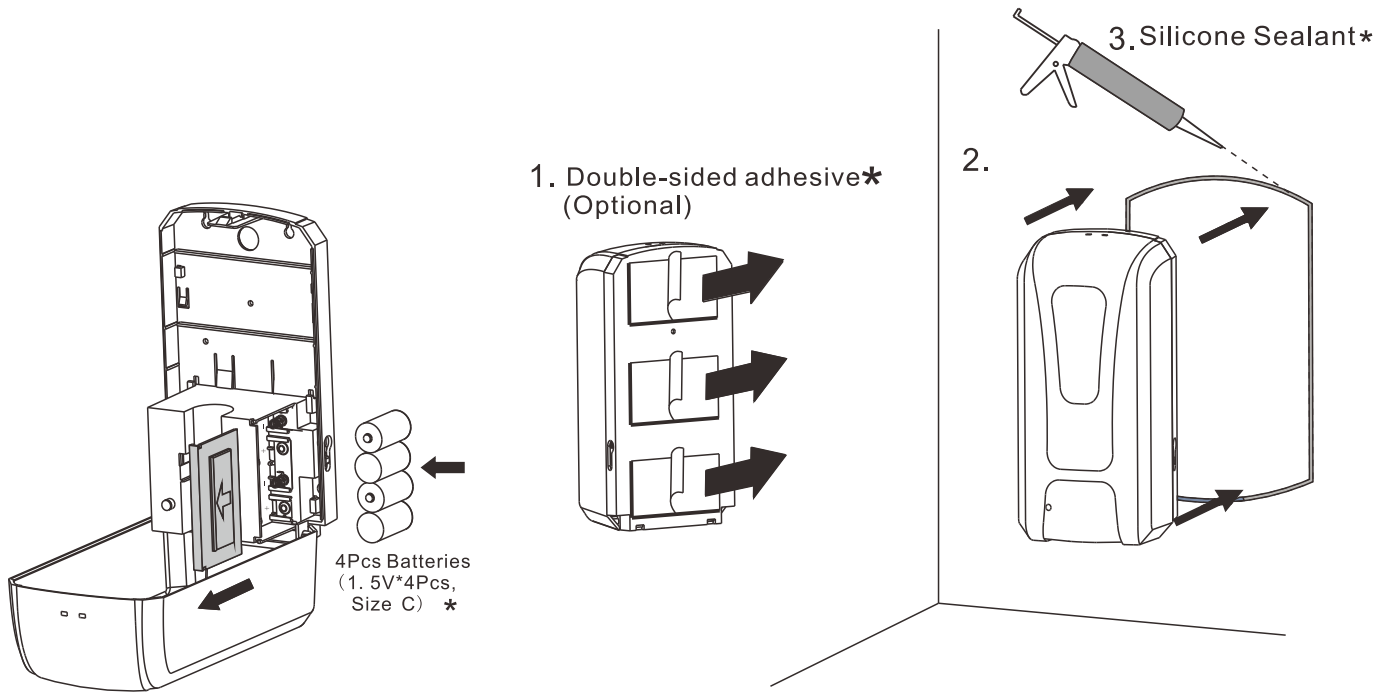


* keep away from sunshine and humid place

C Height from Floor/Table



D Way for Screw

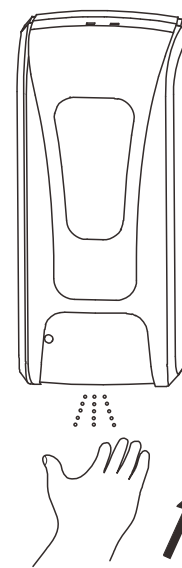
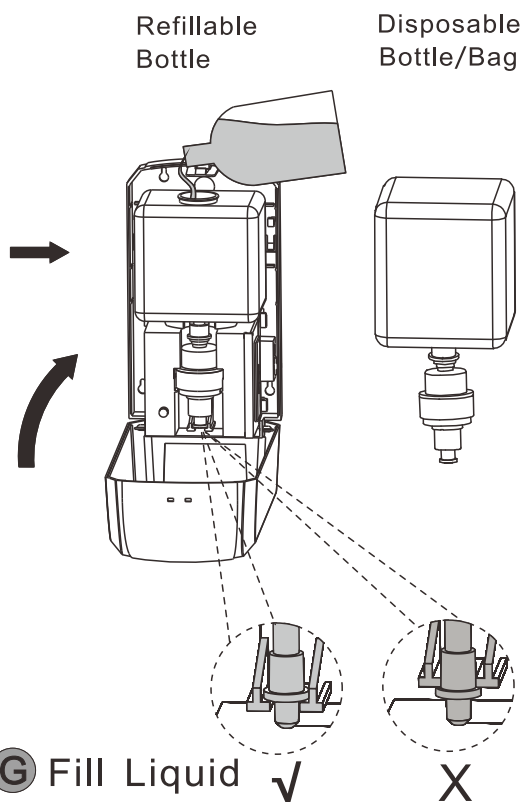


* The Standard Packing is not including and Batteries

* The standard Packing is not including Double-sided adhesive and Silicone sealant

E Install Batteries

F Installation with Adhesive Backing (no screws)



H Enjoy hand sanitizing

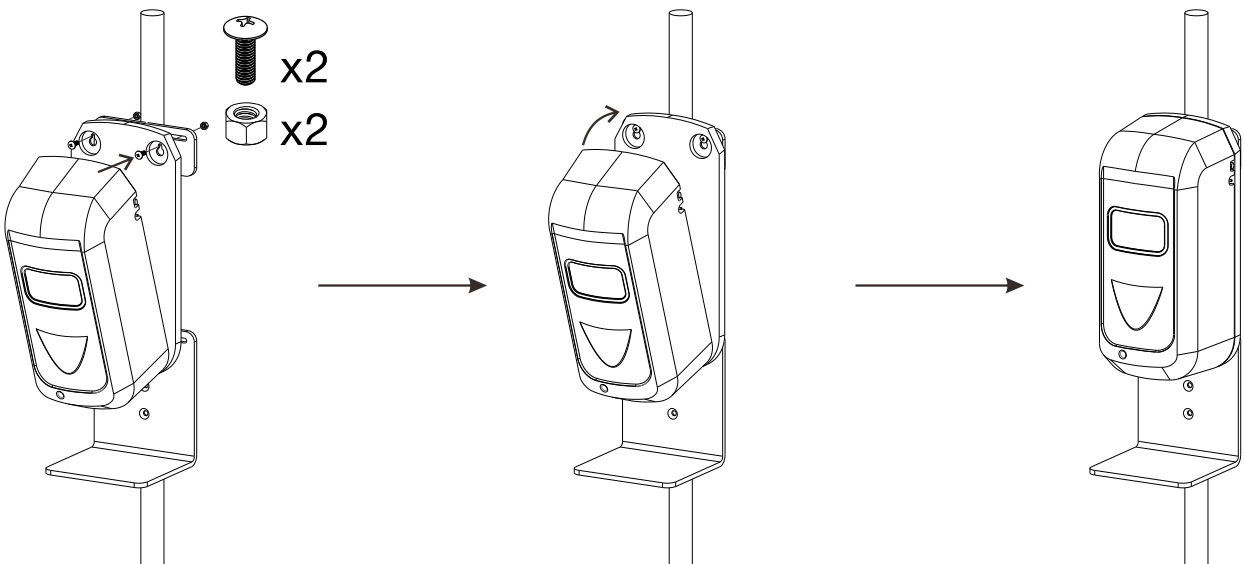
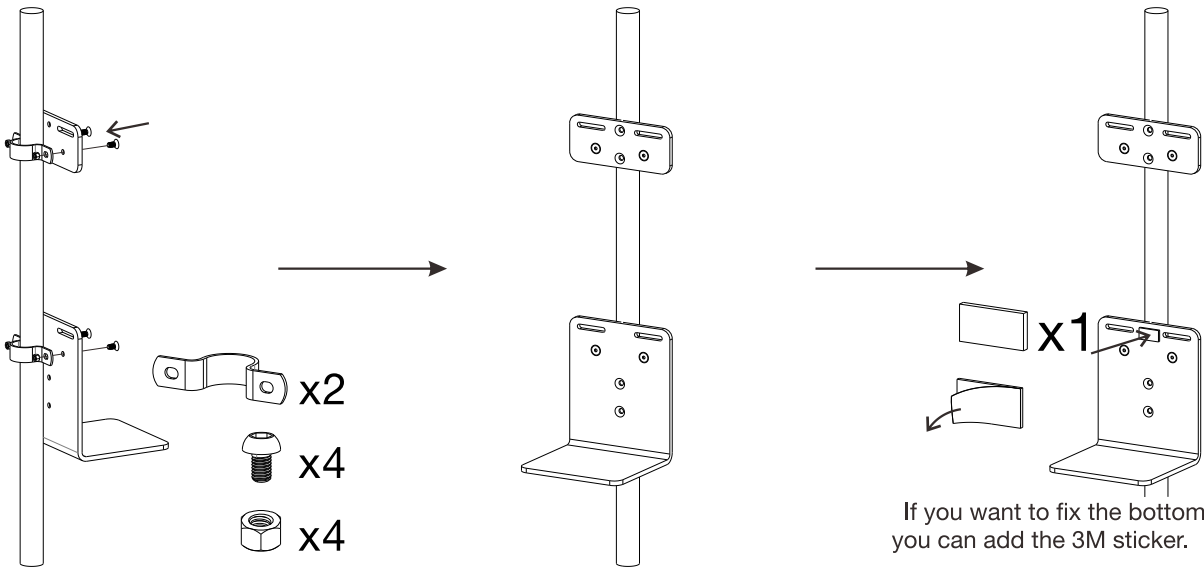
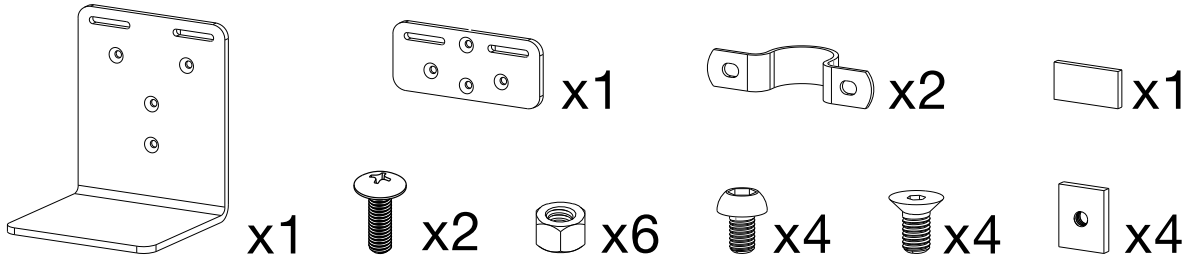


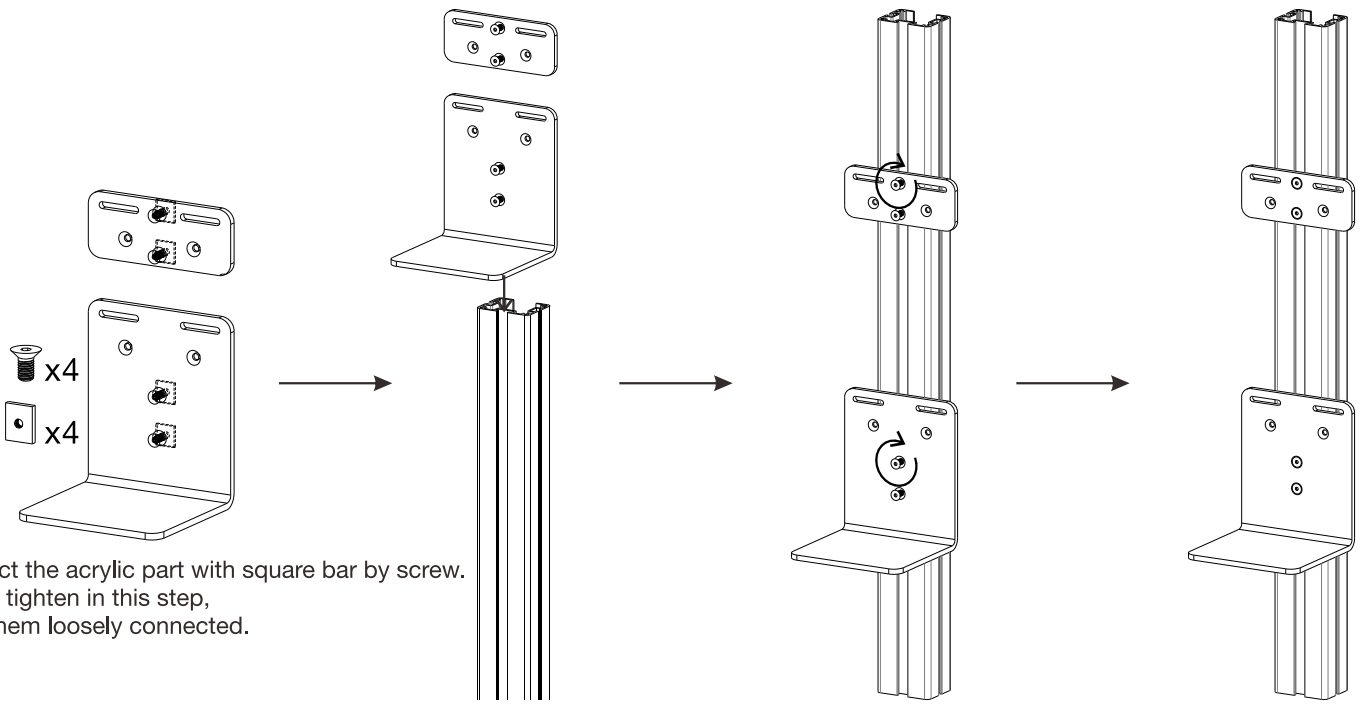
Universal Acrylic Soap Dispenser Holder

INSTRUCTION MANUAL

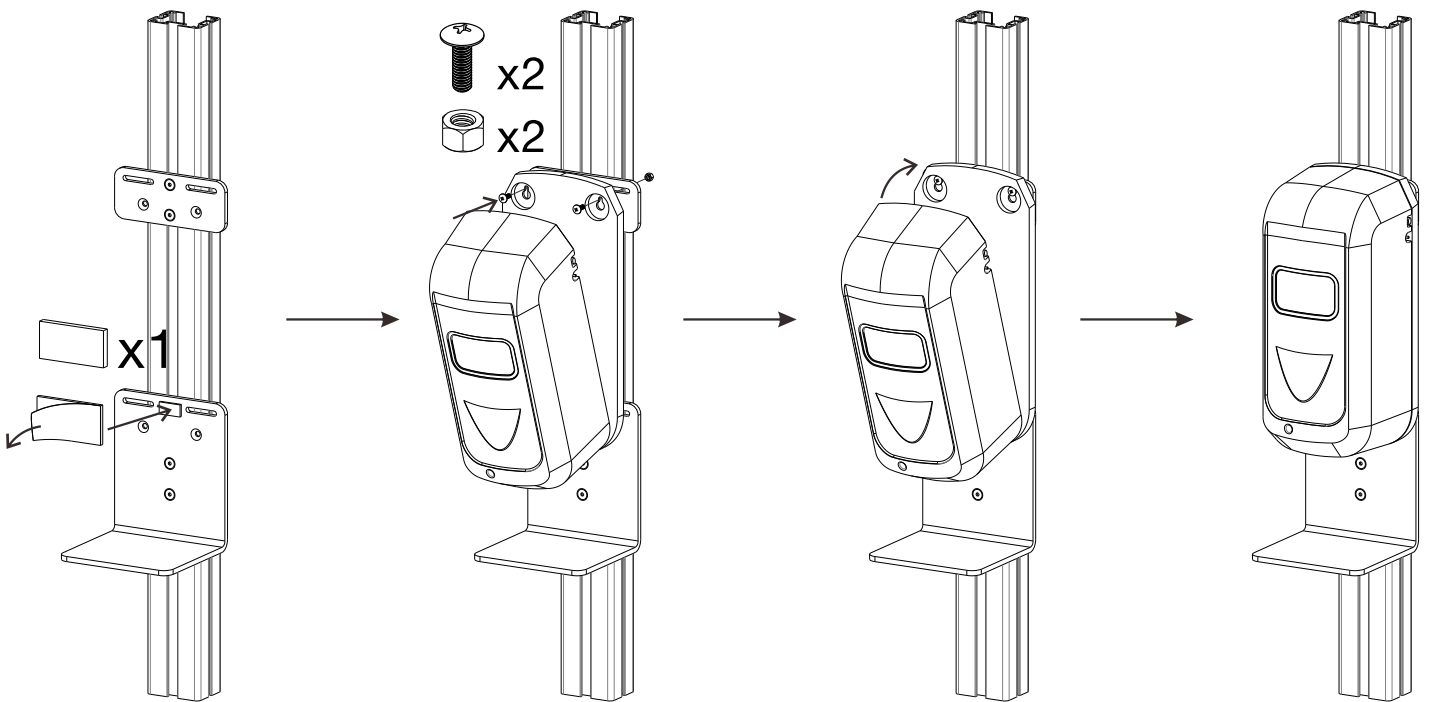
ADD-ASDH

Component Checklist





Connect the acrylic part with square bar by screw.
Do not tighten in this step,
keep them loosely connected.



If you want to fix the bottom as well,
you can add the 3M sticker.