



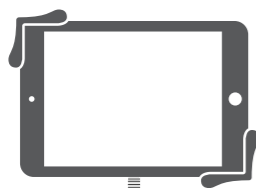
# PAD-HFS

CTA DIGITAL

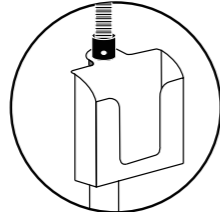
## Heavy-Duty Gooseneck Floor Stand for 7-13 Inch Tablets

### INSTRUCTION MANUAL

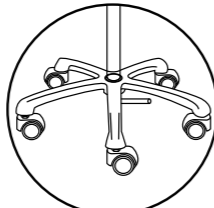
Thank you for choosing CTA Digital's product. We hope that you will enjoy using it. Please follow the guidelines and instructions as laid out in this instruction manual.



Easily adjusts for horizontal or vertical views



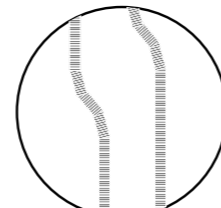
Attachable battery-pack cradle



Attachable and detachable swivel casters

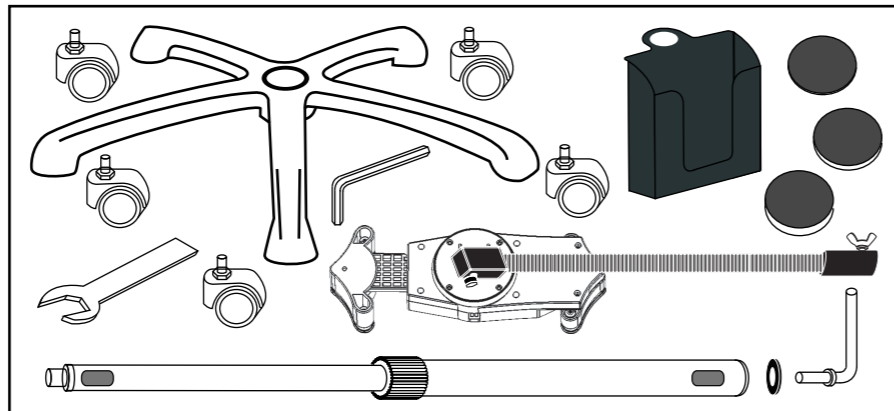


Adjustable holder for tablets 7 - 13 inches



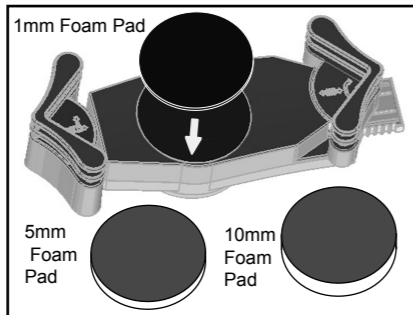
Ultra-flexible and sturdy gooseneck

### Package Contents:



### Instructions:

#### 1. Attaching Foam Pad to Tablet Holder



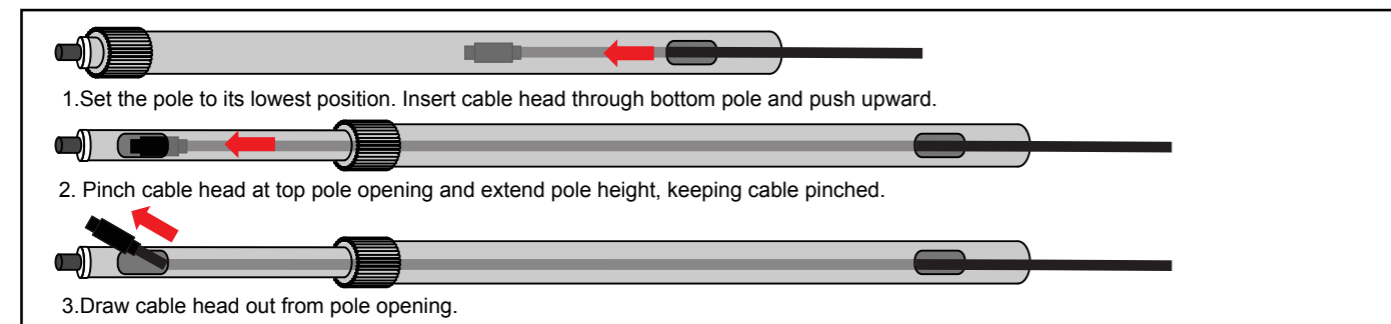
Use this table to determine the appropriate foam pad to use with your tablet. **Note:** sizes refer to total tablet size with or without a case.

Foam Pad Thickness	Tablet Thickness
1mm	0.67-1.06in / 17-27mm
5mm	0.51-0.91in / 13-23mm
10mm	0.31-0.71in / 8-18mm

Select the appropriate foam pad according to the thickness of your tablet (or tablet in its case), then press adhesive side into center of the tablet holder.

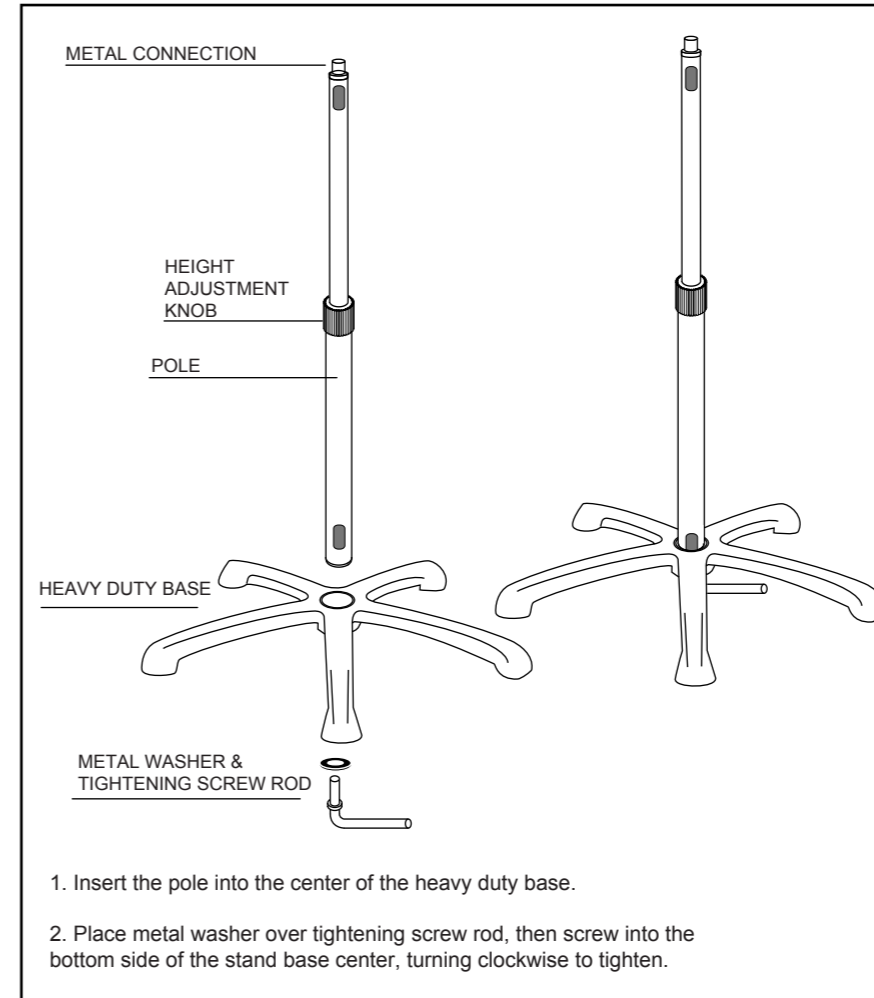
#### 2. Routing Your Charge Cable

This product allows you to go through the cable from the cable routings on the pole.



1. Set the pole to its lowest position. Insert cable head through bottom pole and push upward.
2. Pinch cable head at top pole opening and extend pole height, keeping cable pinched.
3. Draw cable head out from pole opening.

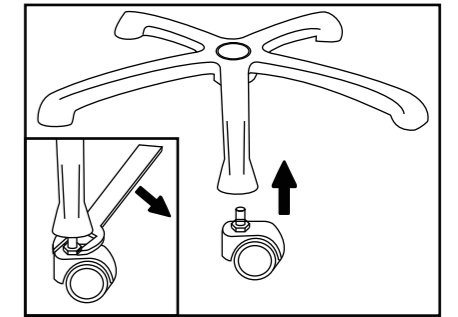
### 3. Stand Assembly:



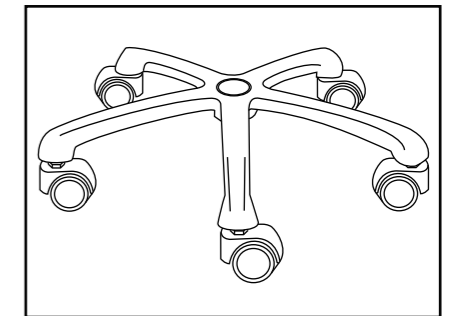
1. Insert the pole into the center of the heavy duty base.
2. Place metal washer over tightening screw rod, then screw into the bottom side of the stand base center, turning clockwise to tighten.

### Attaching wheels:

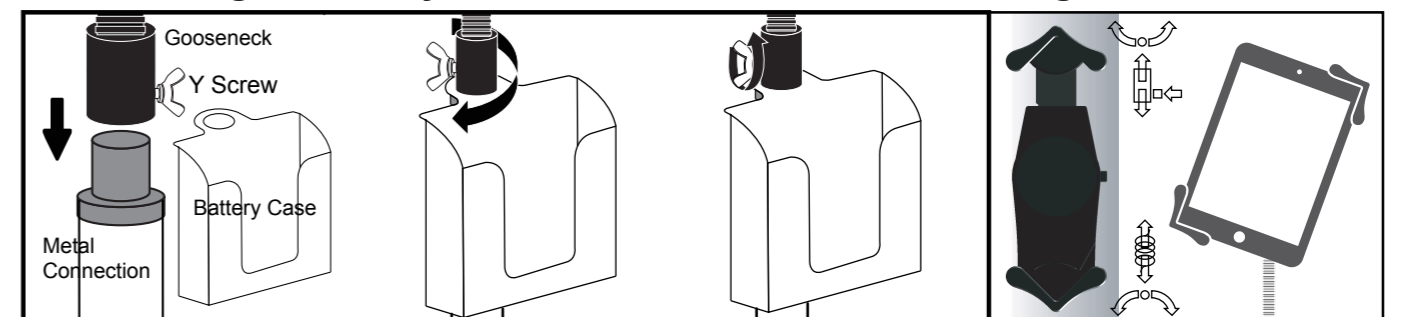
Connect wheels to stand base before attaching pole.



Screw wheels into floor base by hand, then use wrench to tighten.



### 4. Connecting the Battery Case and Tablet Holder and Installing Your Device

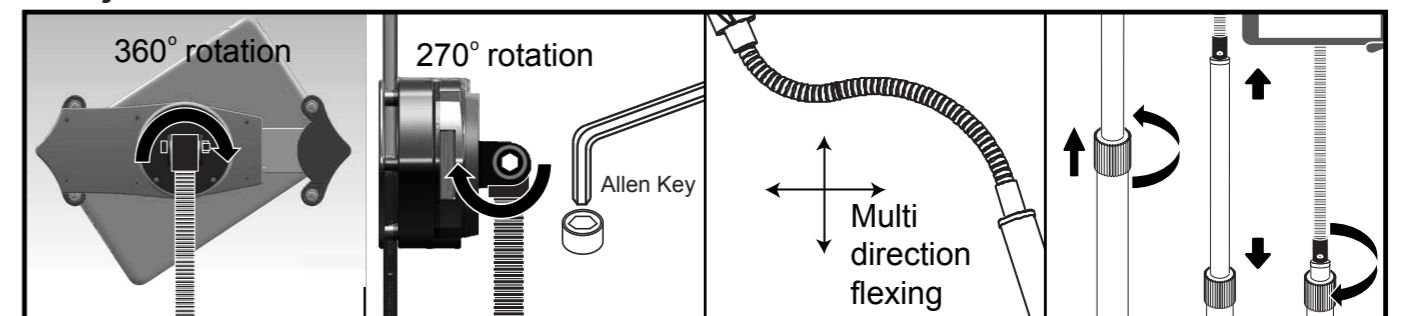


1. Place battery case over top of metal connection.
2. Screw gooseneck down onto metal connection by turning clockwise. Be sure that the battery case is on the opposite side of the pole as the Y screw.
3. Turn the Y screw clockwise to tighten the connection.

**Note:** if Y screw is already in, unscrew before attaching gooseneck.

4. Press button on side of tablet holder to slide open. Insert your tablet against spring arm, then slide other end back down.

### 5. Adjustment:



Use the bigger Allen key to tighten and loosen the gooseneck connection screw, adjusting ease of rotation in the tablet holder.

Gooseneck flexes by hand. To adjust the height of the pole, turn plastic cover counter-clockwise and raise or lower the pole to desired height. Turn clockwise again to lock it in place.

SUPPORT@CTADIGITAL.COM