

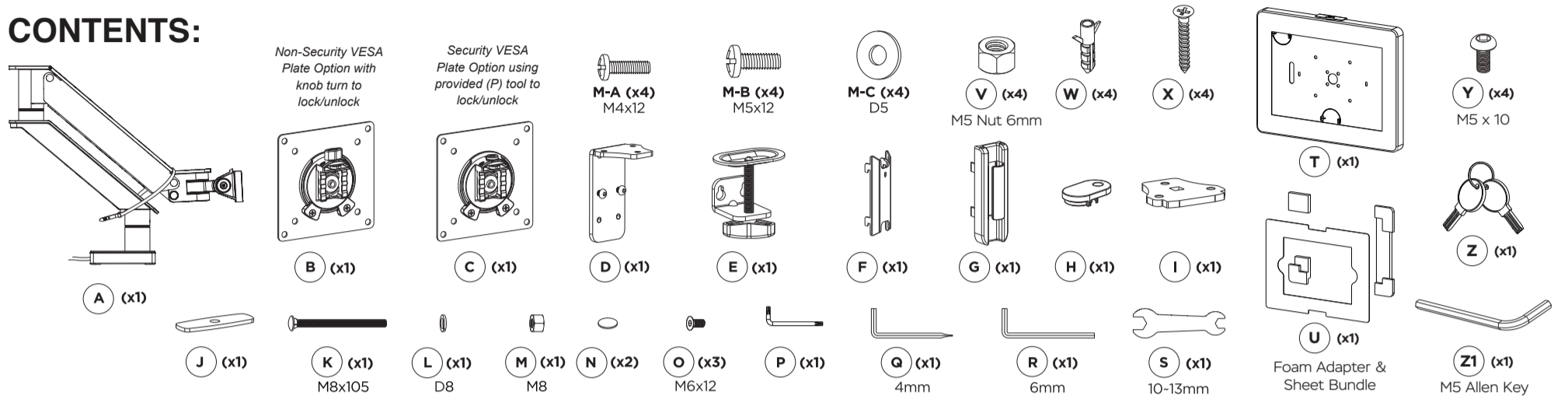


Gas Spring Clamp Mount with 2 USB Ports for Medium Size Tablets

PAD-GSMAG / PAD-GSMAR

INSTRUCTION - MANUAL

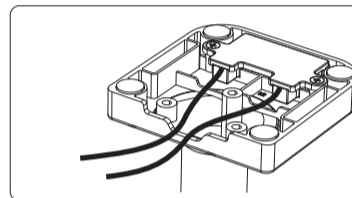
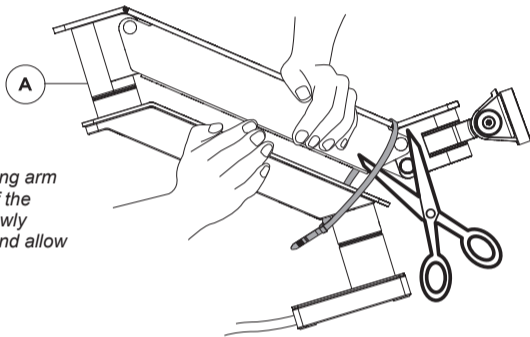
CONTENTS:



INSTALLATIONS:

1 PRE-SETUP

1A. Firmly hold the two halves of the spring arm together and have another person cut off the cable tie from around the spring arm. Slowly release the pressure on the spring arm and allow it to gradually stretch to its full extension.



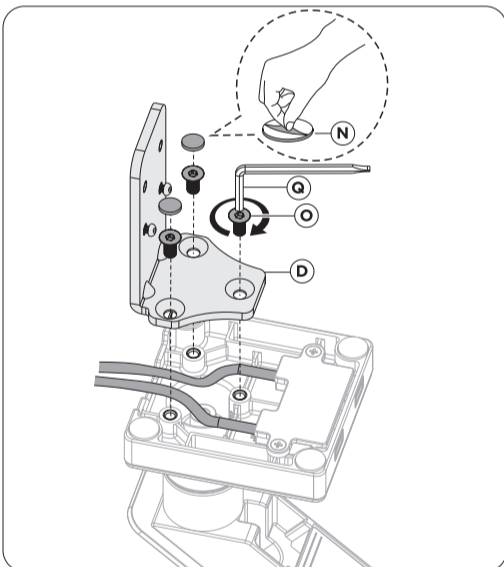
1B. Prior to beginning the grommet or clamp installation - press the USB cables into the groove as shown to properly setup.

VESA Compatible
75x75 100x100

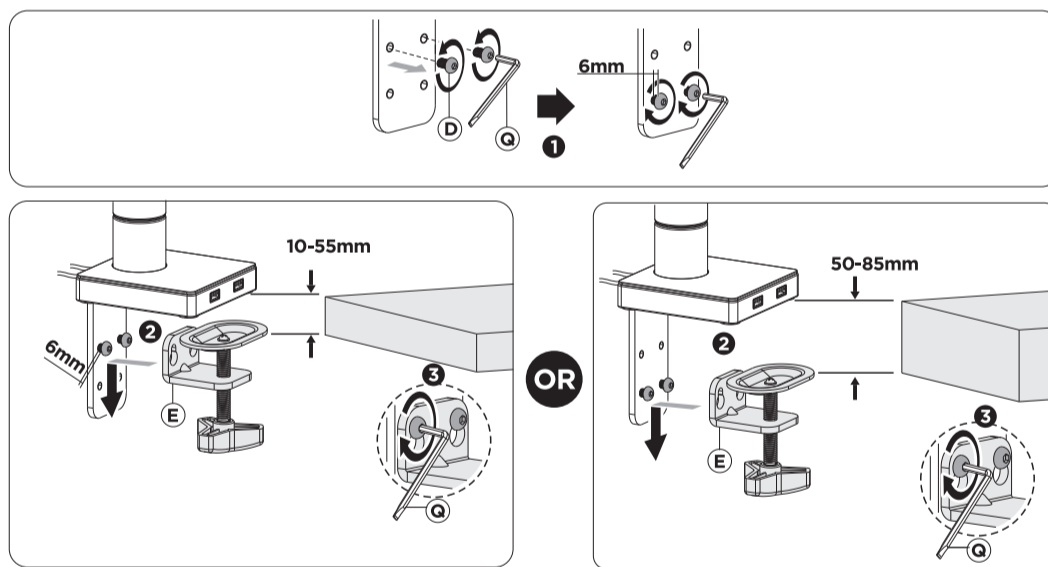
35" MAX
FLAT/CURVED

2.5-11kg
(5.5-24.2lbs)
RATED

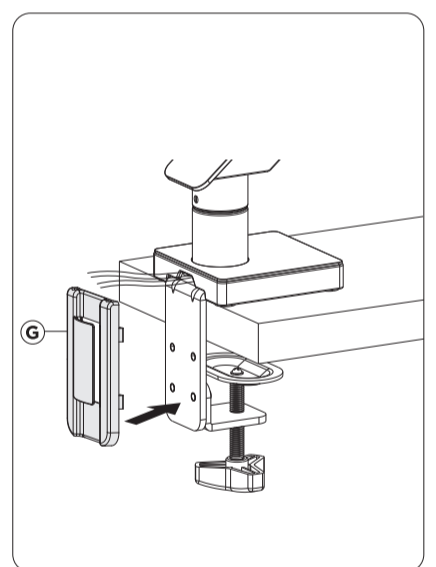
2 SETTING UP CLAMP MOUNT OPTION



2A. Align L-shape component (D) with base of clamp mount as shown above. Rotate in screws (O) through using provided tool (Q) until securely fastened. Afterwards peel off sticker back of padding (N) and place firmly on the screws (O).

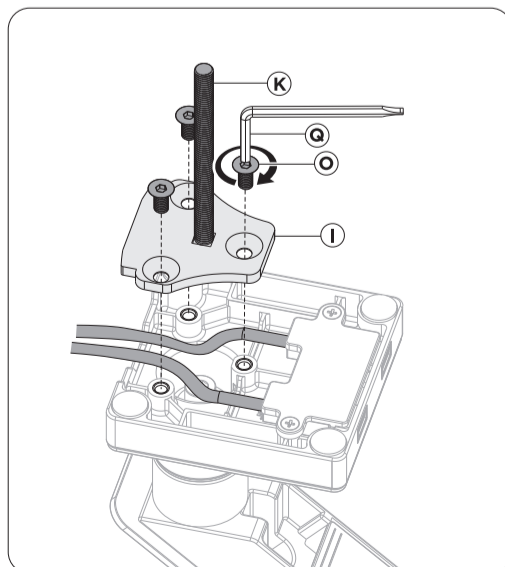


2B. Identify the overall thickness of the surface the clamp will be mounting on. If the thickness is in the 10-55mm range, you will be using the higher setting on the L-shape bracket of the base. If the thickness is in the 50-85mm range, you will be using the lower setting. Rotate in the screws (D) of the bracket until halfway in leaving some space. Hook on the knob component (E). After hooked on, use the provided tool (Q) and securely tighten the screws (D) until securely fastened.

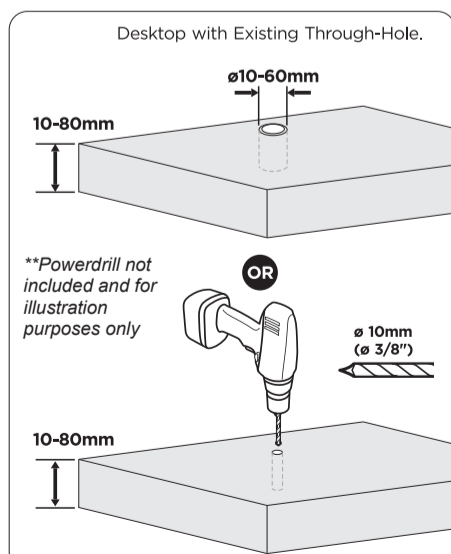


2C. Clip on tool cradle (G) on the back as illustrated.

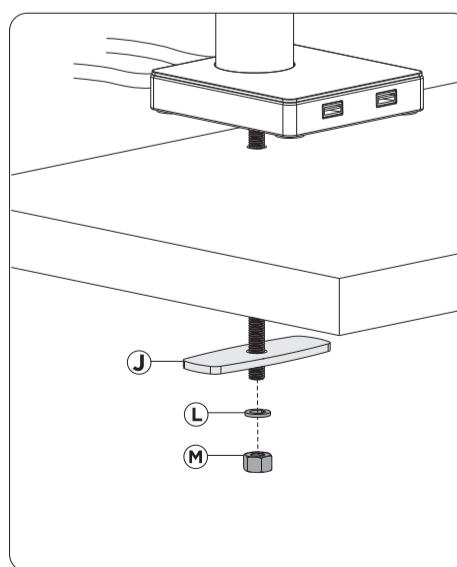
3 SETTING UP GROMMET MOUNT OPTION



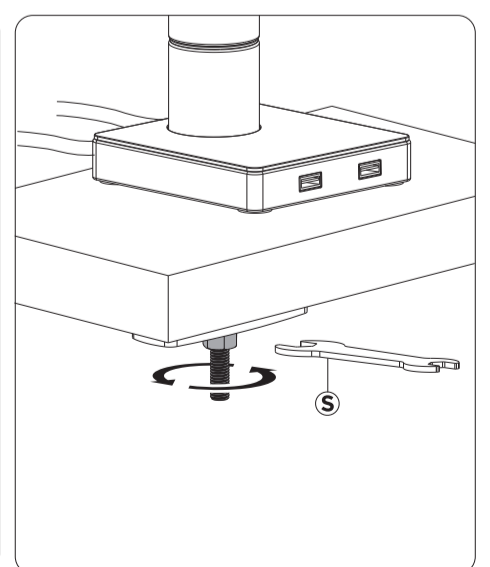
3A. Align grommet mount (K) with base of clamp mount as shown above. Rotate in screws (O) until securely fastened.



3B. Using drill (not included), drill a 10mm diameter hole for the grommet mount installation. If existing hole is available, make sure diameter is in the 10-60mm range prior to setup for proper installation.

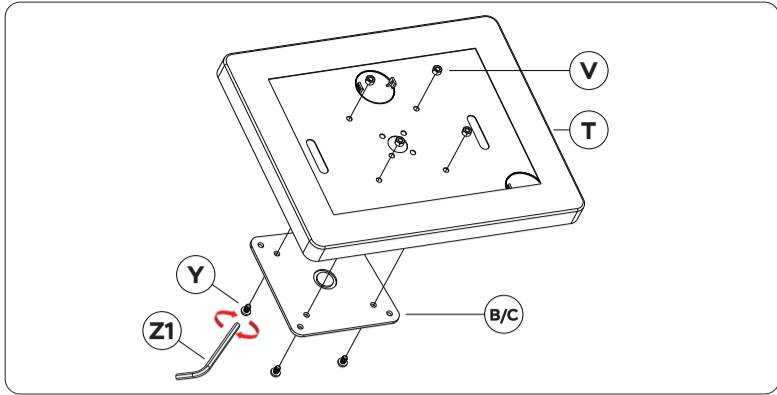


3C. Insert the grommet mount (K) with clamp as shown. Once through the surface, rotate in the rest of the grommet mount components (J, L, M) using your hands initially. Make sure all the components are rotated as far as you can go with no space gaps.



3D. Using provided tool (S), rotate in the hex nut (M) until securely tightened.

4 SETTING UP VESA MOUNT & VESA CONNECTION

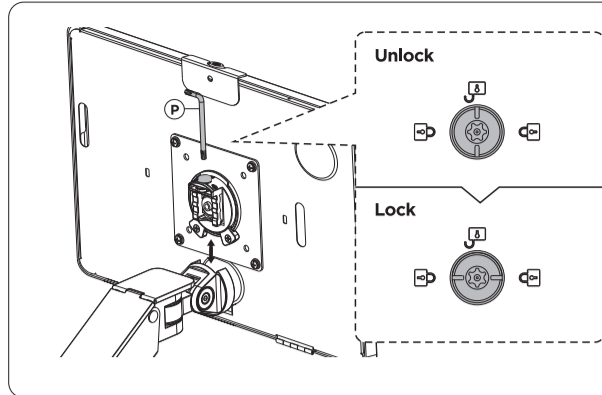


4A. Align enclosure (T) holes to VESA plate (B/C) holes. Rotate in the (4) screws (Y) from behind through the enclosure and VESA plate, while holding the hex nuts (V) from the front using the allen key tool (Z1) until securely tightened.

WHEN USING SECURITY VESA PLATE (C)

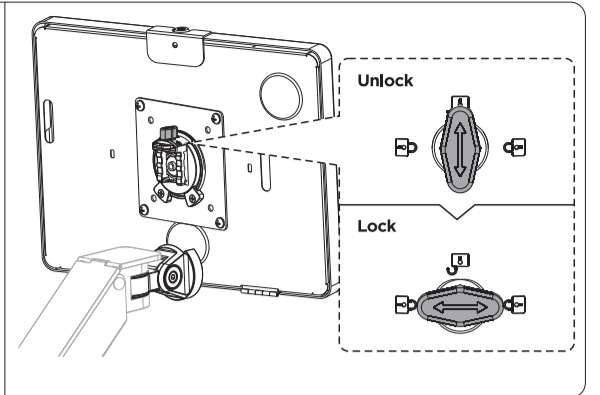
OR

WHEN USING NON-SECURITY VESA PLATE (B)



4B. Combine enclosure with VESA plate attached with rest of clamp by sliding in at the grooves at the joint.

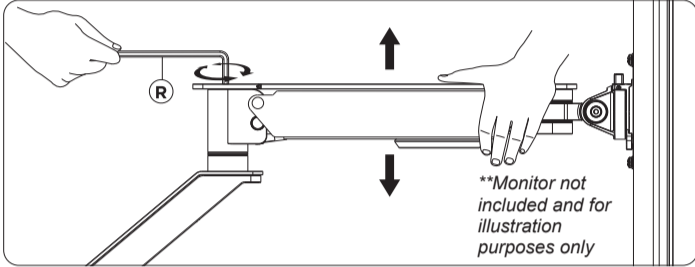
Afterwards, using provided tool (P), rotate key component to the locked position to securely connect everything in place. Make sure to unlock joint when needing to remove enclosure.



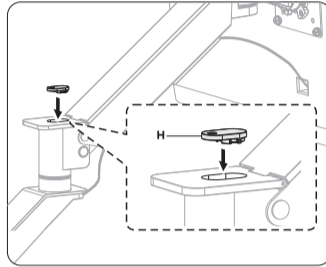
4C. Combine enclosure with VESA plate attached with rest of clamp by sliding in at the grooves at the joint.

Afterwards, simply rotate knob to the locked position to secure the connection. And rotate to the unlocked position when needing to remove VESA plate and enclosure together.

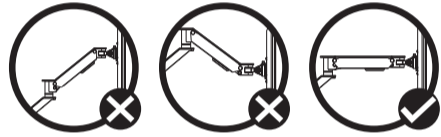
5 ARM ADJUSTABILITY



5A. To properly balance the arm with the enclosure, adjust the spring tension using the provided tool (R) as shown. Make sure the arm is in the horizontal position when making adjustments to avoid damage to the enclosure or the mount.



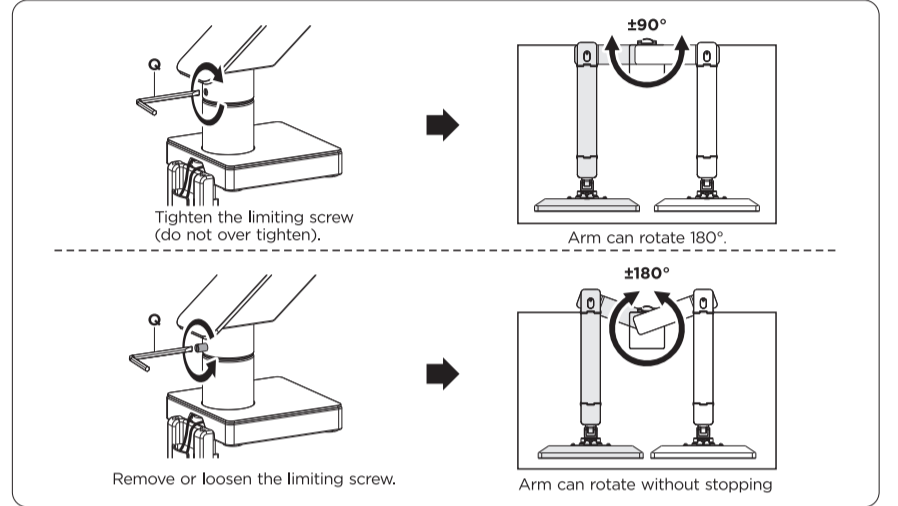
5B. Place cover (H) on top of the joint after finishing with all adjustments with the arm.



If the arm **drops**, turn the adjustment screw counter-clockwise until it stays in a horizontal position.

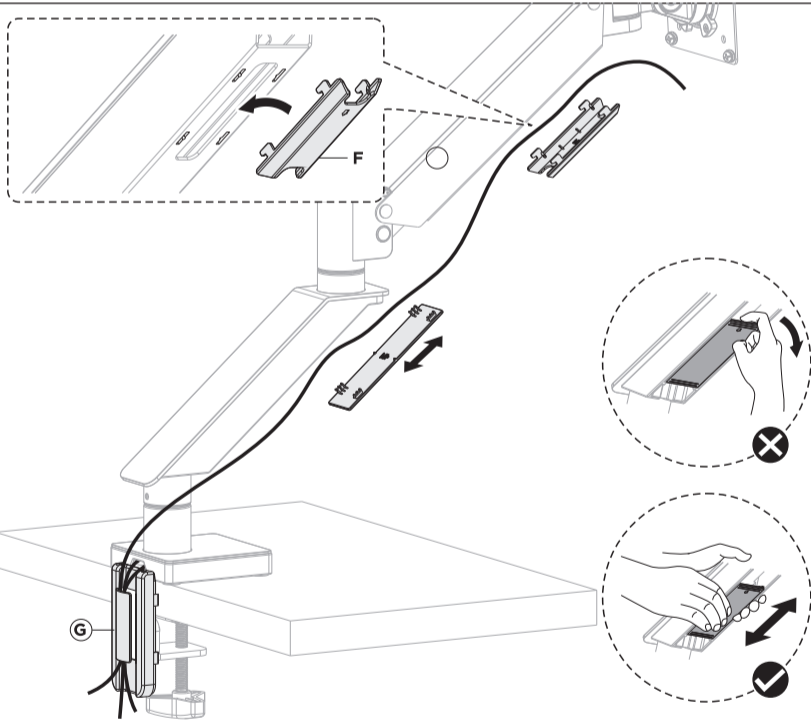
If the arm **rises**, turn the adjustment screw clockwise until it stays in a horizontal position.

CAUTION: DO NOT over tighten the screws.



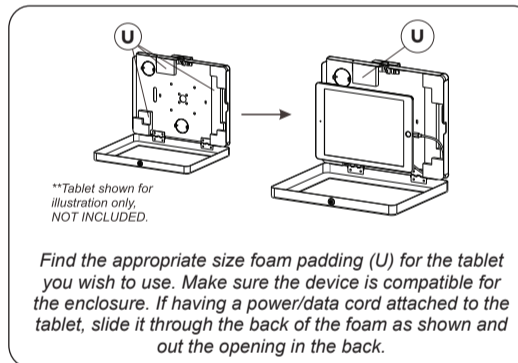
5C. When making swivel adjustments to the arm, use provided tool (Q) at the joint above the mount as shown above. Loosen to allow for swivel rotation as shown. Then rotate clockwise to tighten again once desired rotation has been set for preferred setup.

CABLE ROUTING / CABLE MANAGEMENT



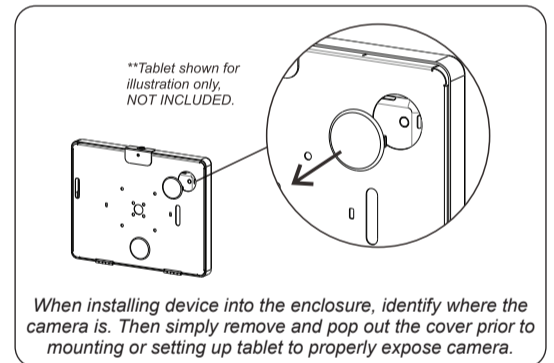
Identify the (3) components needed for cable routing. There is a clip on component (F), an integral piece at the lower arm and the tool cradle (G) at the base mount area. Plug one end of the cable to your device as shown above. Remove the integral component piece at the lower arm with a sliding motion as illustrated in the call out images. Fish the cord under the first arm, then clip on the component (F). Then do the same in the channel of the lower arm and then place on the cover component. Lastly hook the wire onto the tool cradle (G) and then continue fishing the cord towards the outlet or power source.

PLACING TABLET INTO ENCLOSURE



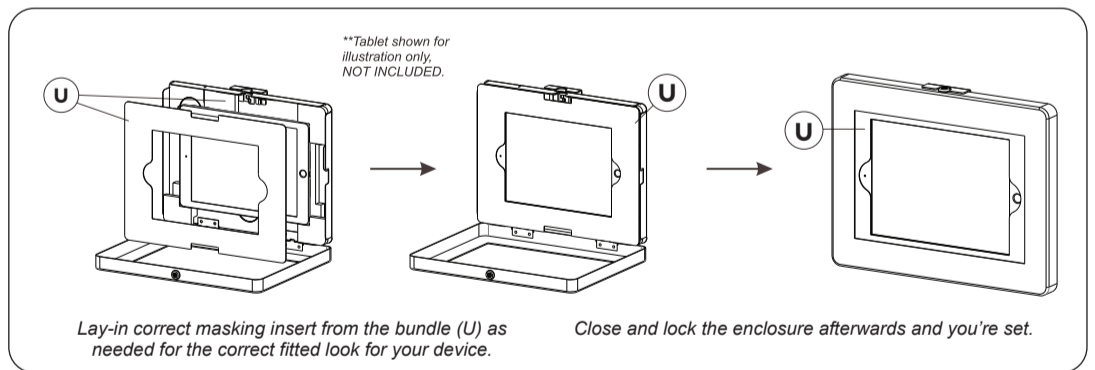
Find the appropriate size foam padding (U) for the tablet you wish to use. Make sure the device is compatible for the enclosure. If having a power/data cord attached to the tablet, slide it through the back of the foam as shown and out the opening in the back.

REMOVING BACK COVERS



When installing device into the enclosure, identify where the camera is. Then simply remove and pop out the cover prior to mounting or setting up tablet to properly expose camera.

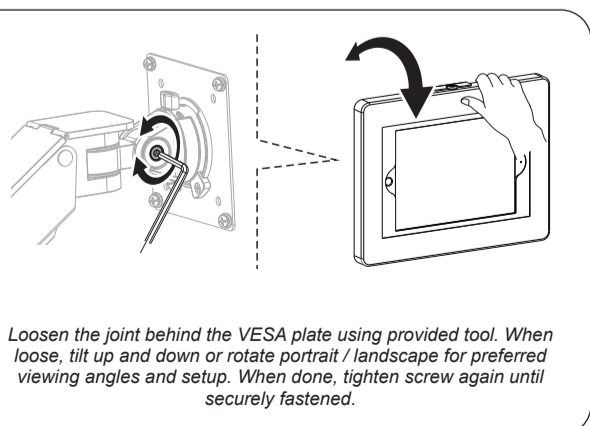
PLACING BLANK SHEET INSERT INTO ENCLOSURE



Lay-in correct masking insert from the bundle (U) as needed for the correct fitted look for your device.

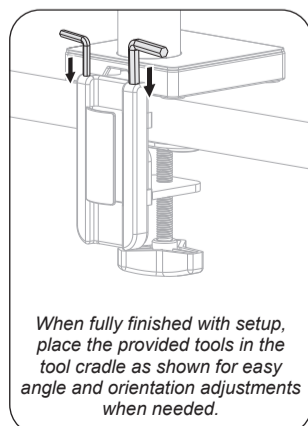
Close and lock the enclosure afterwards and you're set.

JOINT ADJUSTMENTS



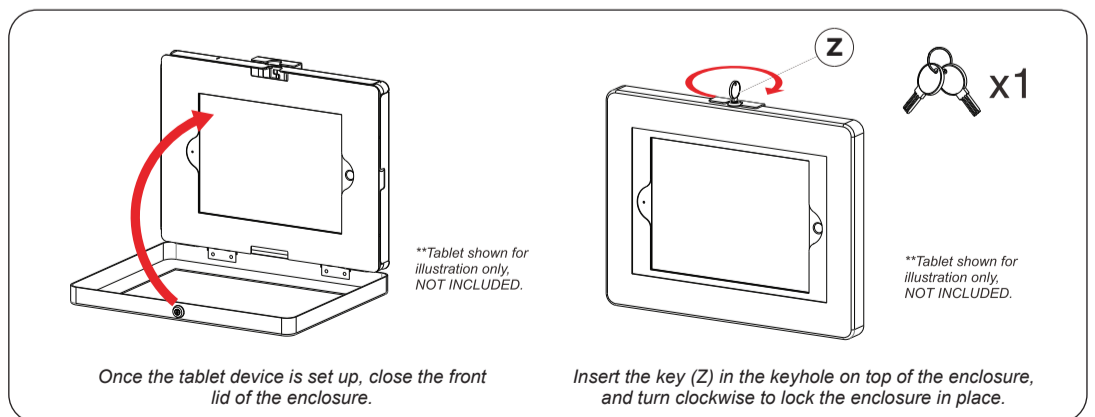
Loosen the joint behind the VESA plate using provided tool. When loose, tilt up and down or rotate portrait / landscape for preferred viewing angles and setup. When done, tighten screw again until securely fastened.

TOOL HOLDER



When fully finished with setup, place the provided tools in the tool cradle as shown for easy angle and orientation adjustments when needed.

SETTING UP SECURITY



Once the tablet device is set up, close the front lid of the enclosure.

Insert the key (Z) in the keyhole on top of the enclosure, and turn clockwise to lock the enclosure in place.