



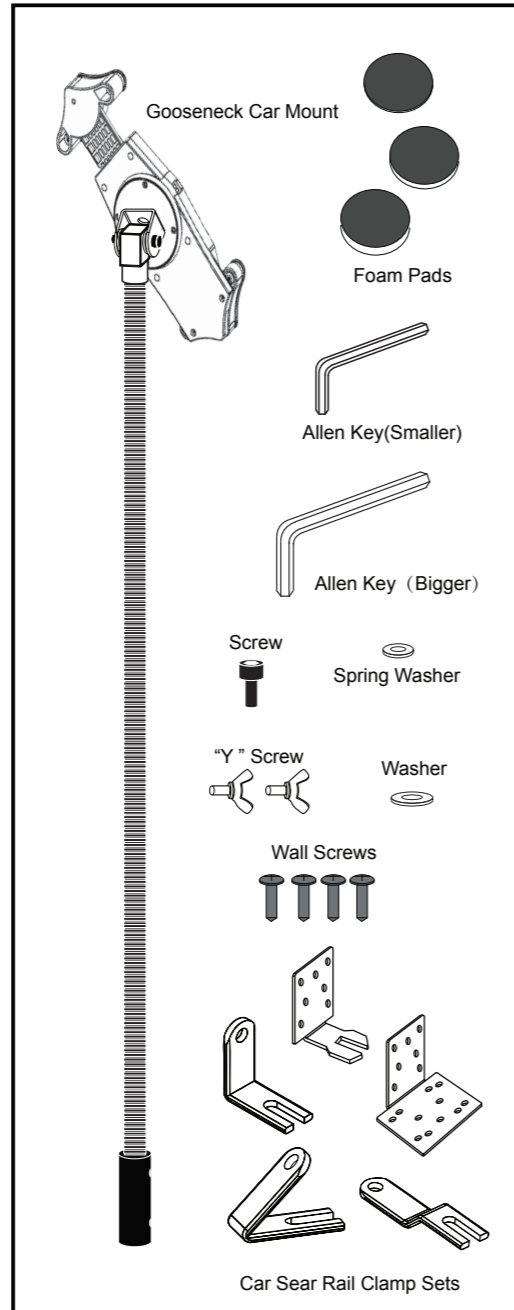
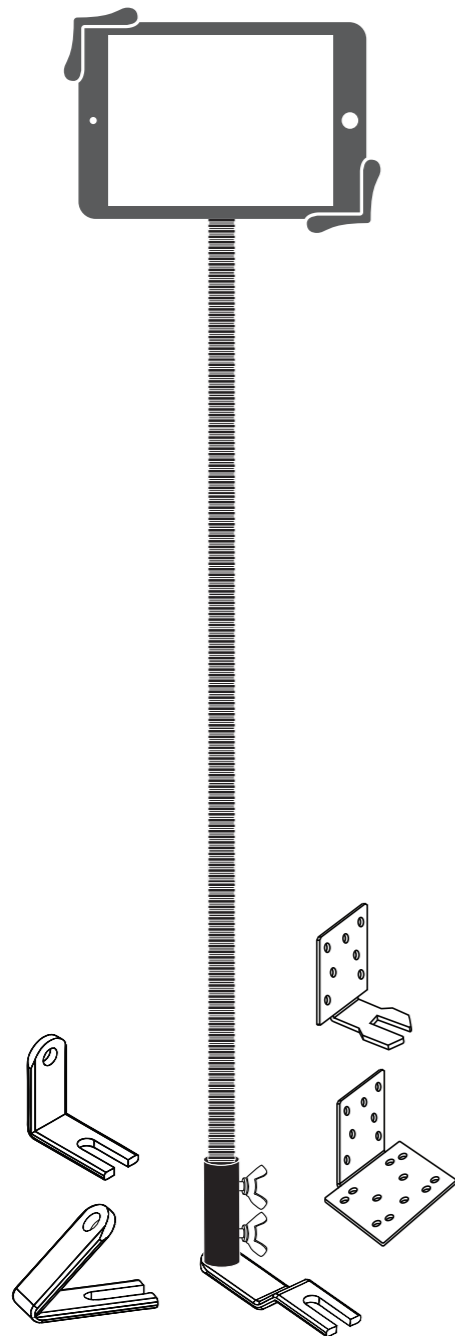
PAD-GCT

CTA DIGITAL

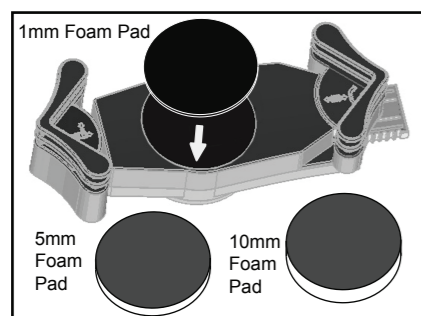
Gooseneck Car Mount for 7-13 Inch Tablets

INSTRUCTION MANUAL

Thank you for choosing CTA Digital's product. We hope that you will enjoy using it. Please follow the guidelines and instructions as laid out in this instruction manual.



Instructions: 1. Attaching Foam Pad to Tablet Holder



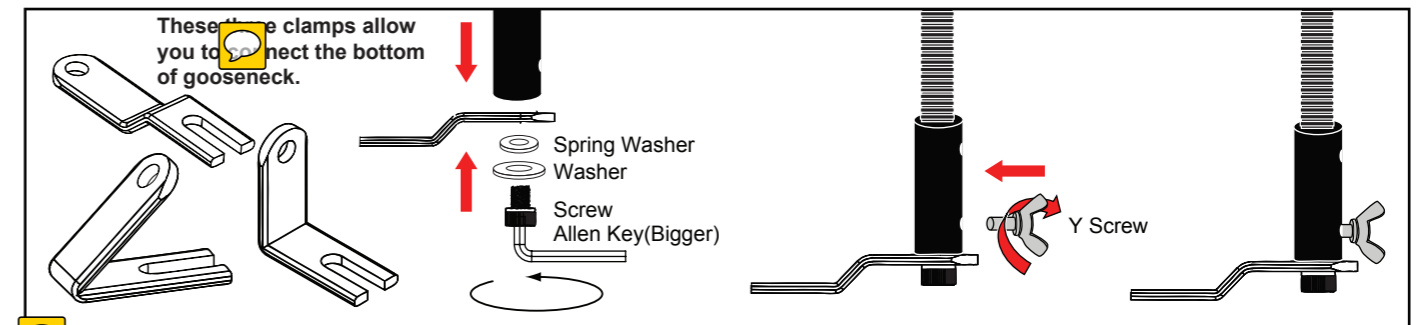
Select the appropriate foam pad according to the thickness of your tablet (or tablet in its case), then press adhesive side into center of the tablet holder.

Use this table to determine the appropriate foam pad to use with your tablet.
Note: sizes refer to total tablet size with or without a case.

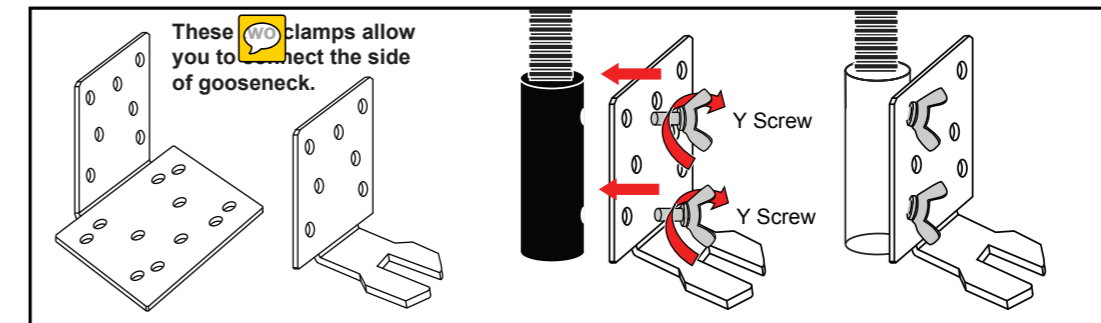
Foam Pad Thickness	Tablet Thickness:
1mm	0.67-1.06in / 17-27mm
5mm	0.51-0.91in / 13-23mm
10mm	0.31-0.71in / 8-18mm

Instructions:

1. Installing the Gooseneck Car Mount to the Car Seat Rail Clamps



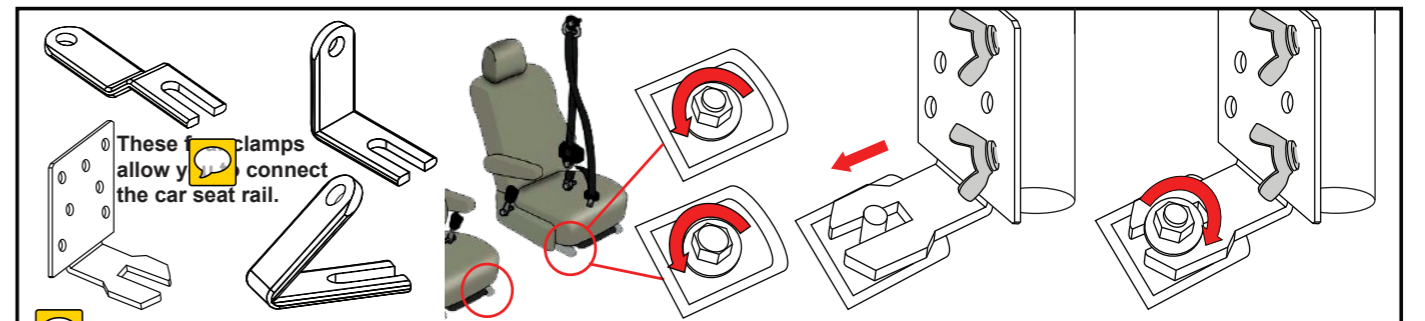
1. Choose the clamp according to your needs. 2. Put all with the correct direction and position. 3. Screw up the screw to tighten the connection. 4. Screw up one Y screw to the hole on the side of gooseneck to prevent the rotation.



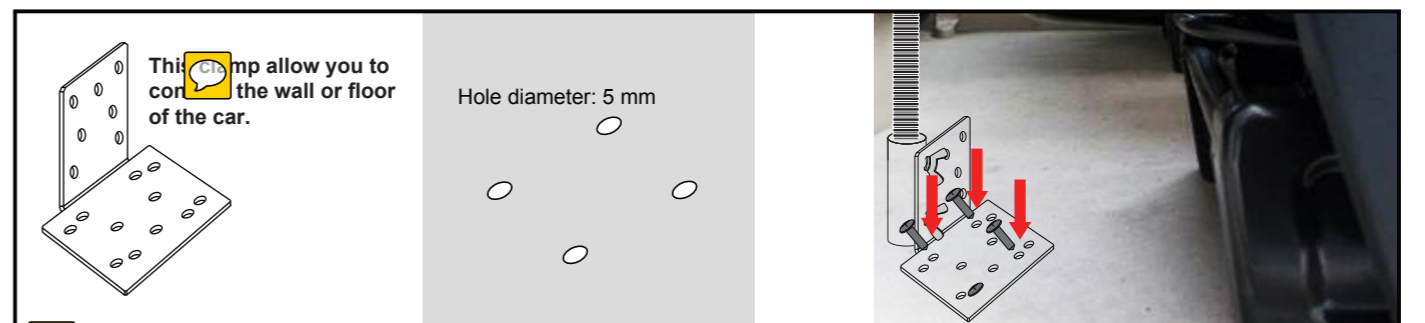
PS: The holes on the clamps allow you to adjust the connection direction

1. Choose the clamp according to your needs. 2. Align the holes on the clamp to the screw holes on the side of gooseneck. 3. Screw up Y screws to tighten the connection.

3. Installing to your Car

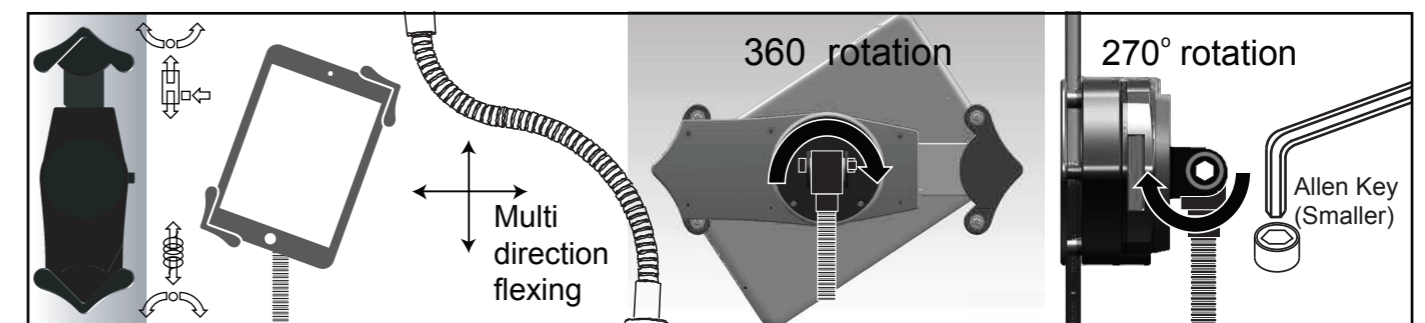


Use the screw or nut of your car seat rail, insert the clamp and then screw up the screw or nut to tighten it again.



Mark the holes on the floor or wall of the car according to the holes you selected on the clamp, then screw up the WALL SCREWS to connect it.

4. Installing your Device and Adjusting the Tablet holder



1. Press button on side of tablet holder to slide open. Insert your tablet against spring arm, then slide other end back down.

2. Use smaller Allen key to tighten and loosen the connection screw, adjusting ease of rotation in the tablet holder, flex the Gooseneck to adjust your favorite view angle.

SUPPORT@CTADIGITAL.COM