

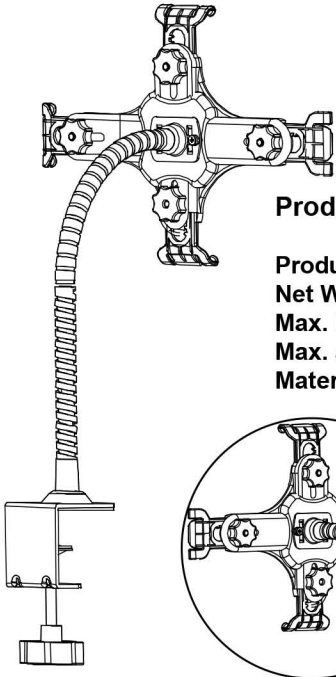


# CTA Digital - Innovative Accessories

Product Name: Gooseneck Clamp Mount for iPad® and Tablets

Product Model: PAD-GCM

This product is compatible with iPad (2nd – 4th Generation),  
Samsung Galaxy Note/Tab 2/Tab 10.1



### Product specifications:

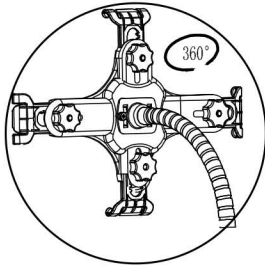
**Product size (L/W/H):** 285x210x202mm

**Net Weight:** 0.9Kg

**Max. loading weight:** 1kg

**Max. adjust height:** 580mm

**Material:** ABS/Steel



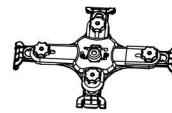
360 degree rotation,  
allows tilt and swivel  
in all directions

### Part List

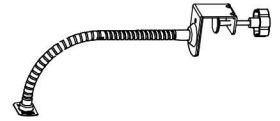
Please check the parts in the package in comparison with the following list. Make sure all of the parts are in the package. Never use defective parts. Never replace parts with different specifications.



TOOL



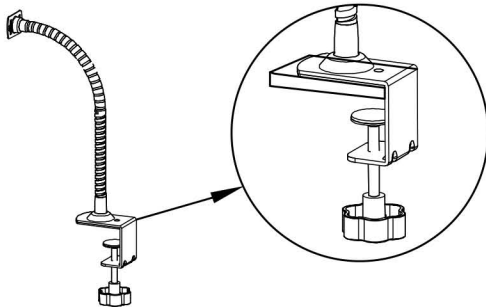
Adjustable Holder Bracket



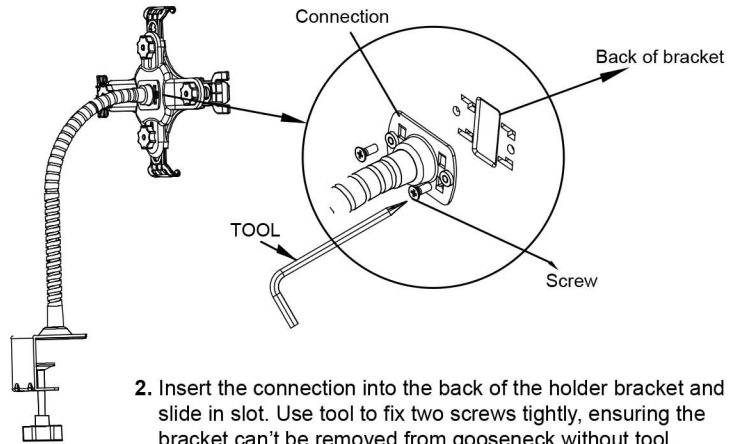
Gooseneck and Clamp

### Operational Instructions:

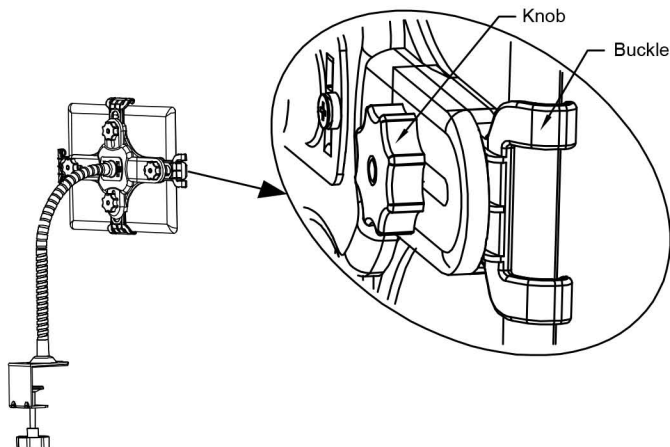
**WARNING:** When you assemble or disassemble the stand, please remove iPad or tablet to avoid any damage.



1. Adjust and tighten the knob according to the table or surface thickness.



2. Insert the connection into the back of the holder bracket and slide in slot. Use tool to fix two screws tightly, ensuring the bracket can't be removed from gooseneck without tool.



3. Place your tablet into the bracket holder. Loosen the knob to grab tablet edge by four buckles, and then tighten the four knobs to secure.