

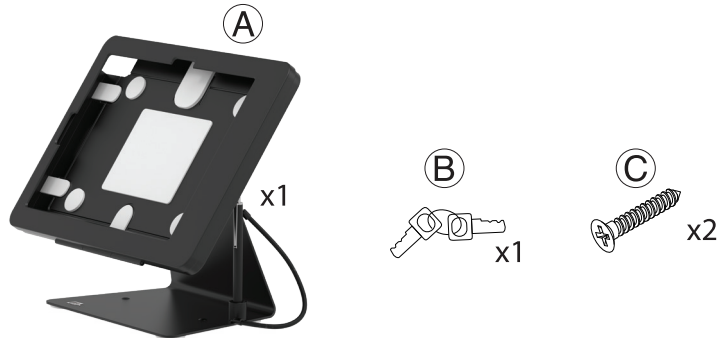


# Desktop Anti-Theft Stand

PAD-DASB109

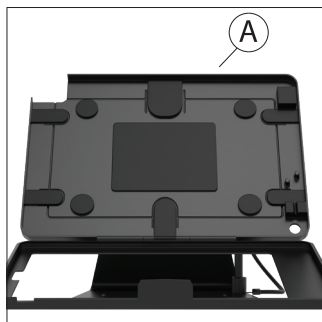
## INSTALLATION - MANUAL

### CONTENTS:



### INSTALLATION:

#### 1. Inserting Tablet into Enclosure

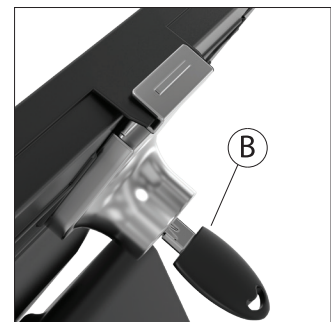


1A. Open the case (A) with the stand on a flat surface.



\*\*Tablet only shown for illustration purposes, not included.

1B. Place your tablet device inside the tray (A).



1C. Close the case door and turn the key (B) clockwise to lock.

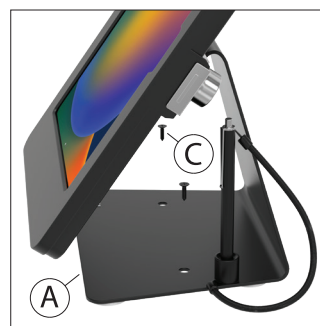
#### 2. Cable Routing



\*\*Tablet and cable only shown for illustration purposes, not included.

2A. Internal cable routing.

#### 3. (Optional) Bolting to Countertop



\*\*Tablet only shown for illustration purposes, not included.

3A. Align the two screws (C) with the holes in the base (A).



\*\*Tablet only shown for illustration purposes, not included.

3B. Screw in screws until securely attached to counter.

#### 5. Adjustability



\*\*Tablet only shown for illustration purposes, not included.

5A. Adjust the orientation to the preferred view.