



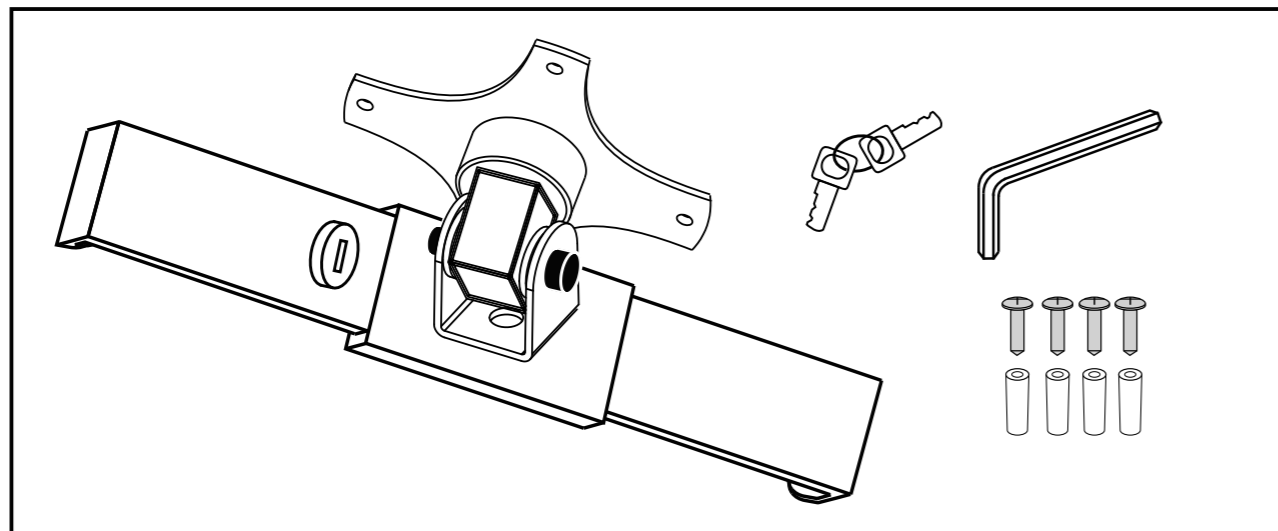
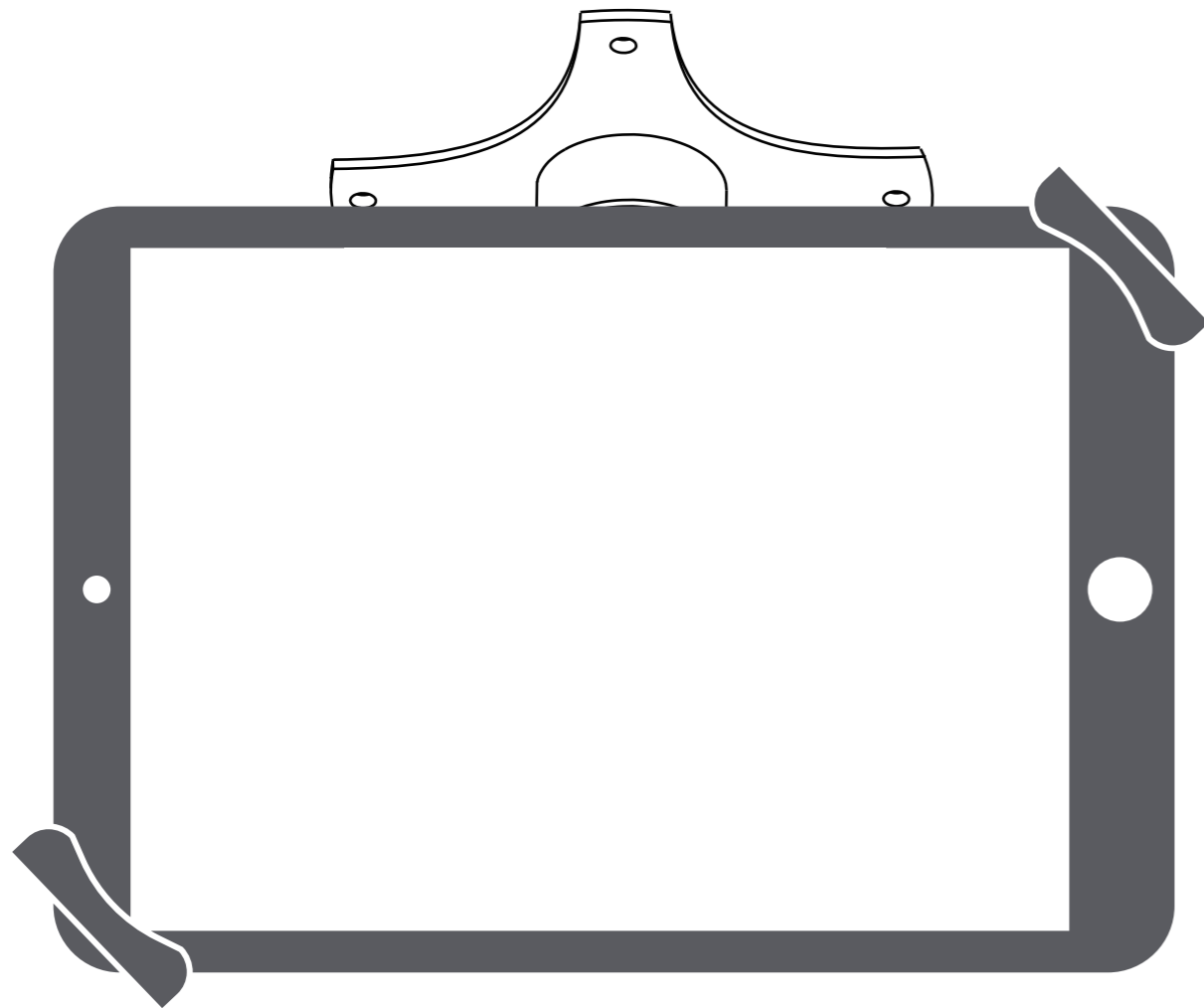
# PAD-CSWM

CTA DIGITAL

## Compact Security Wall Mount for 7-13 Inch Tablets

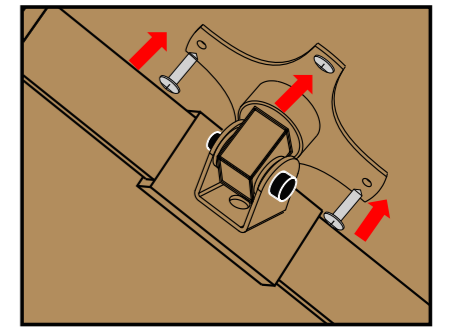
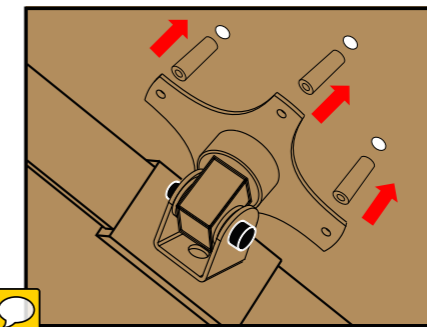
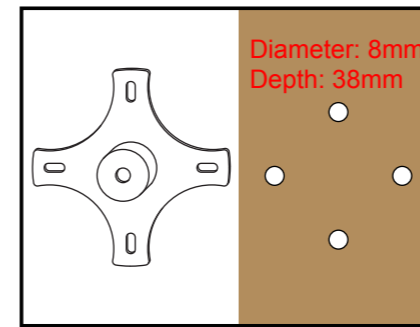
### INSTRUCTION MANUAL

Thank you for choosing CTA Digital's product. We hope that you will enjoy using it. Please follow the guidelines and instructions as laid out in this instruction manual.



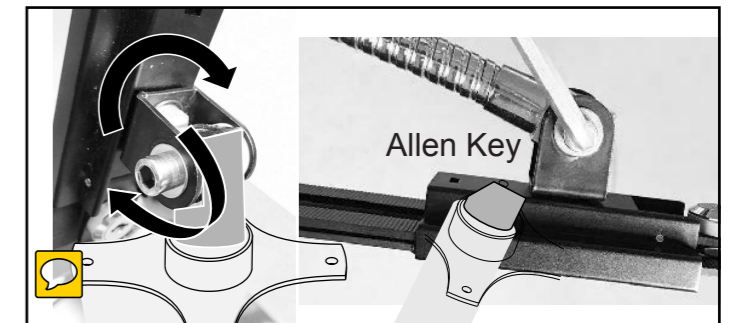
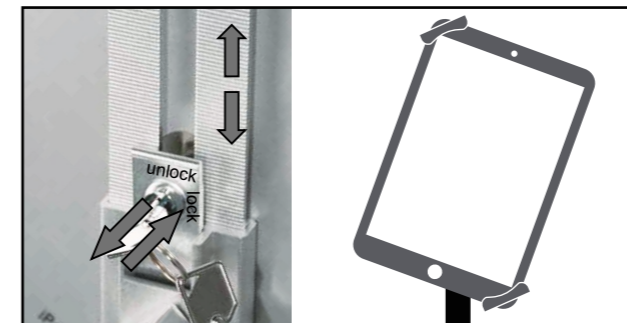
#### Instructions:

##### 1. Installing the Wall Mount



- 1. Drill 4 holes on the wall in alignment with the mounting base.
- 2. Insert wall anchors.
- 3. Drive screws into wall anchors, attaching wall mount to the mount.

##### 2. Installing your Device and Adjusting the Tablet holder



- 1. Insert key into locking flap and turn counter clockwise to unlock. Pull back flap and slide corner grip open. Insert tablet corner against fixed end, slide opposite corner grip down, then push flap back in. Turn key clockwise to lock again.
- 2. Use Allen key to tighten and loosen the connection screw to adjust ease of rotation.