

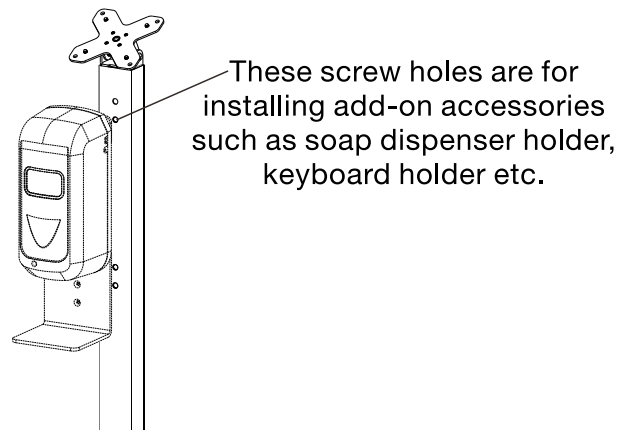
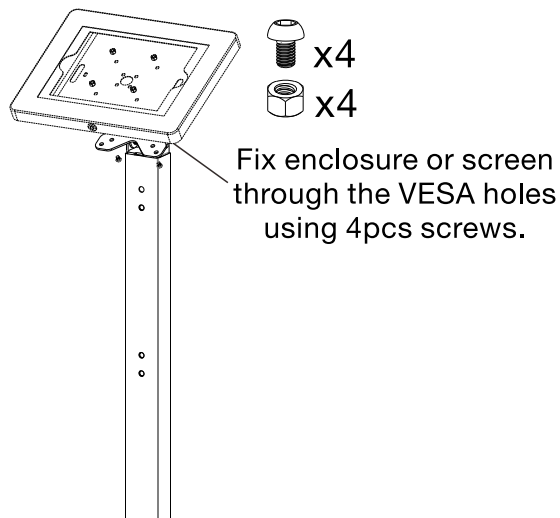
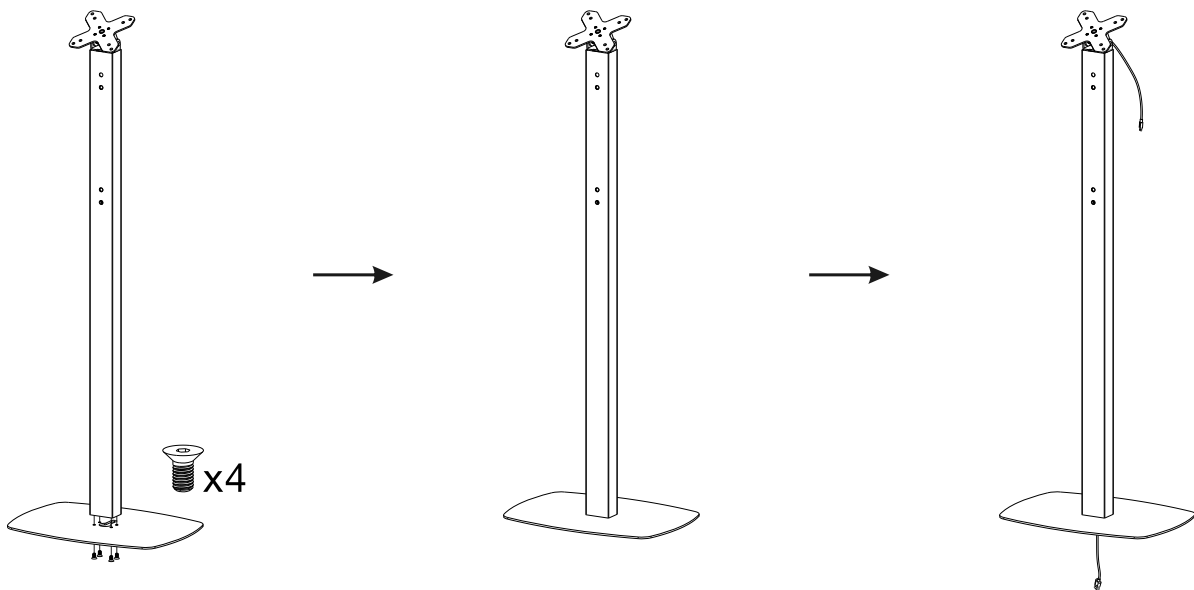
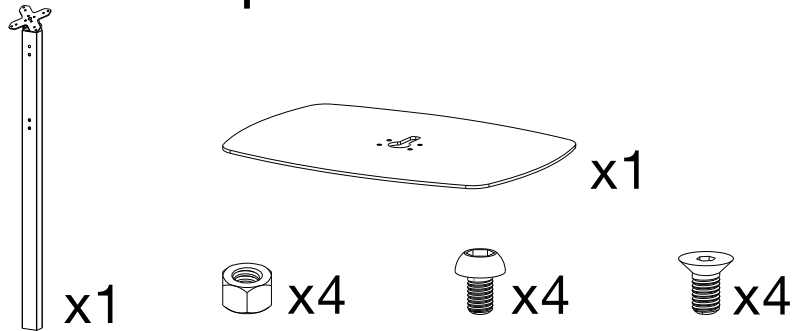


Premium Thin Profile Floor stand with VESA plate and Base (Black/White)

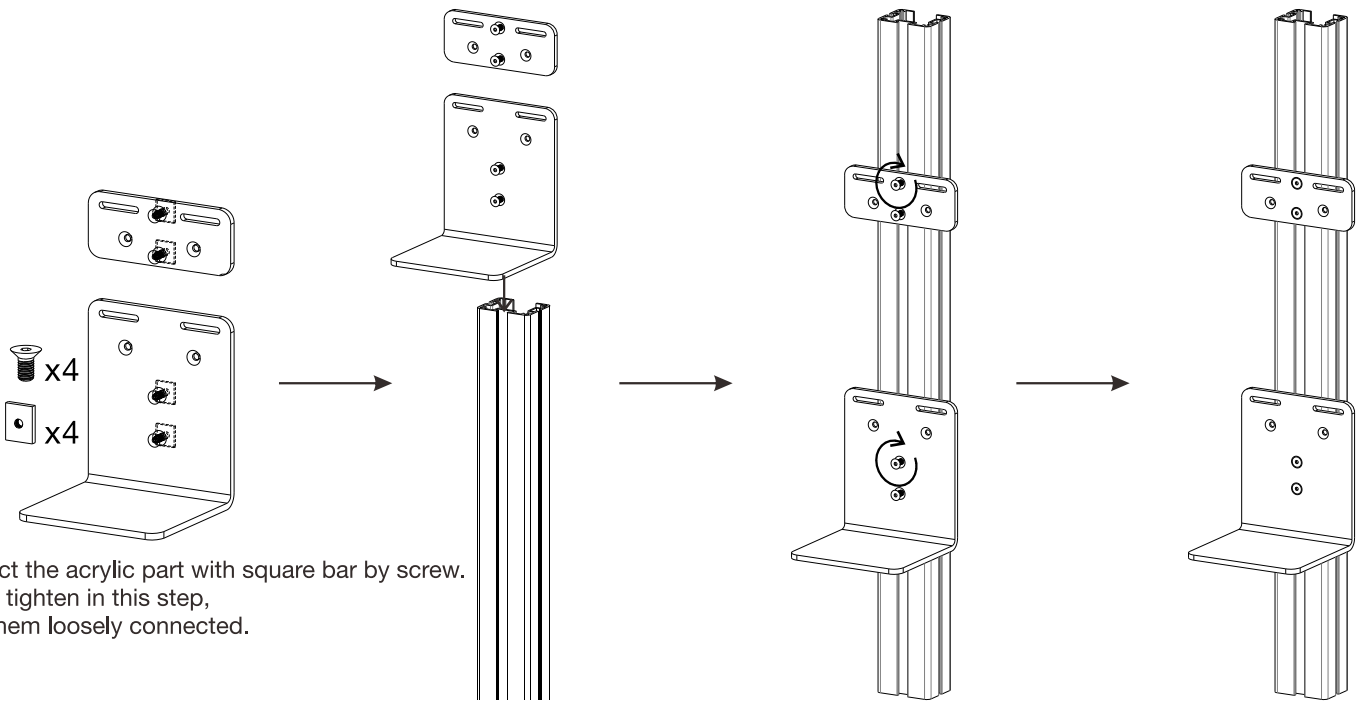
INSTRUCTION MANUAL

ADD-CHKB/ADD-CHKW

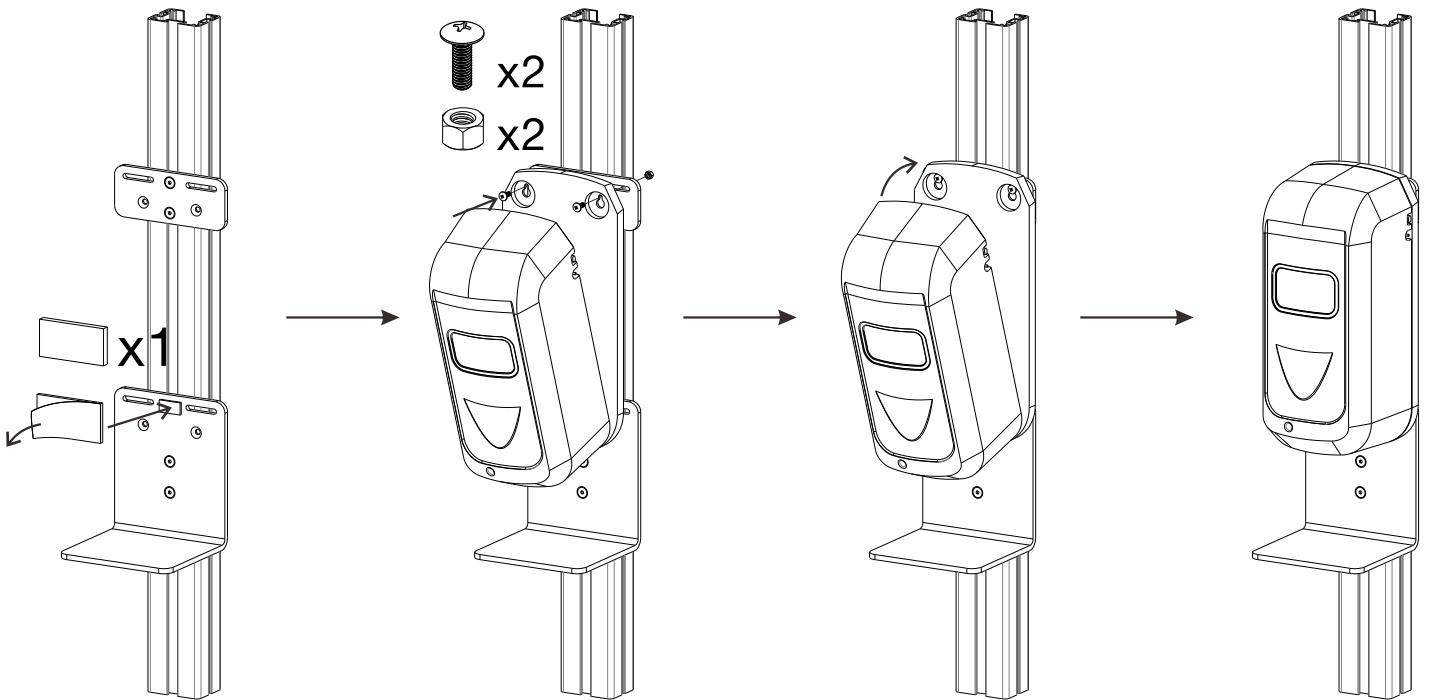
Component Checklist



Remark: Enclosure, add-on accessories or device not included.



Connect the acrylic part with square bar by screw.
Do not tighten in this step,
keep them loosely connected.



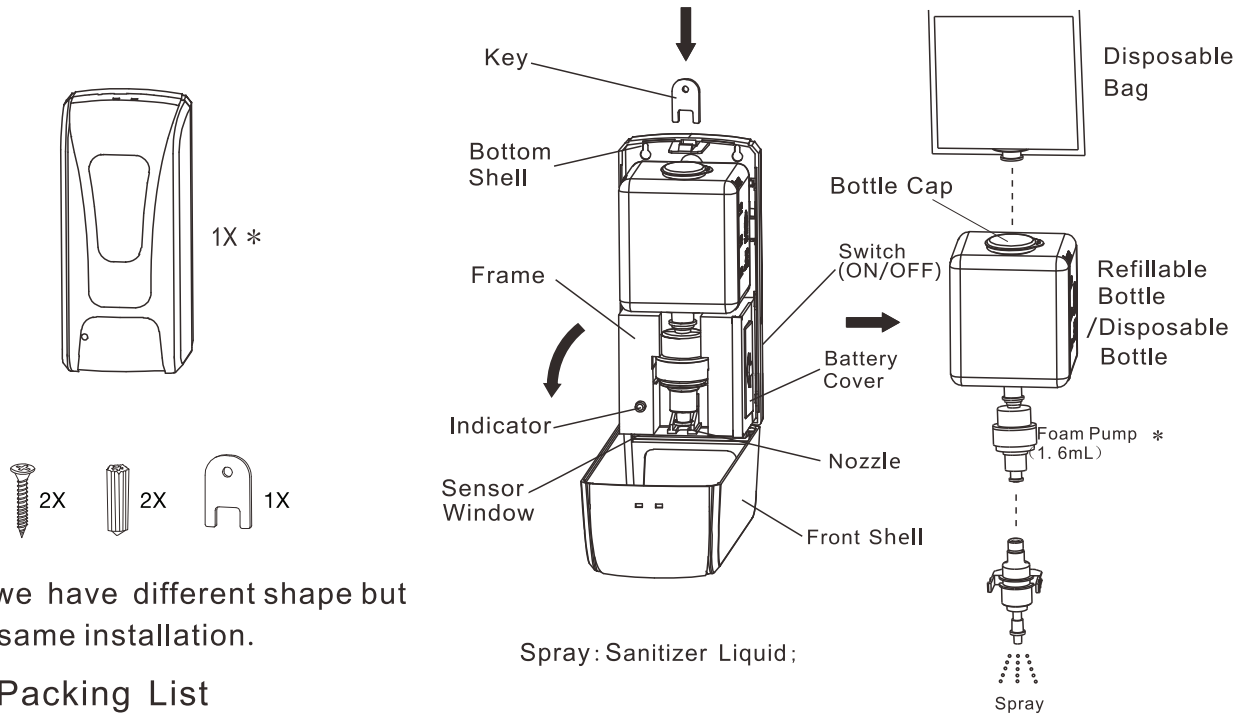
If you want to fix the bottom as well,
you can add the 3M sticker.



Automatic Hand Sanitizer Dispenser

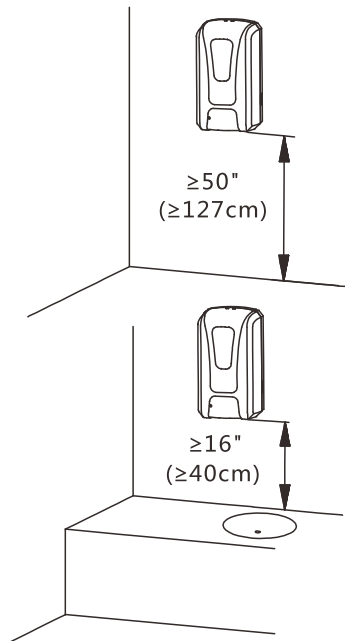
INSTRUCTION MANUAL

ADD-AUTOSP



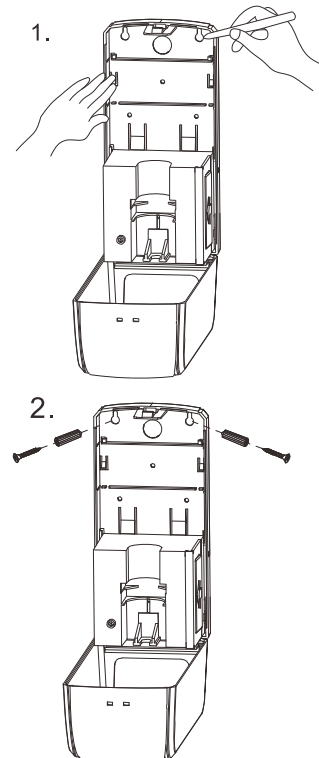
A Packing List

B Part Name

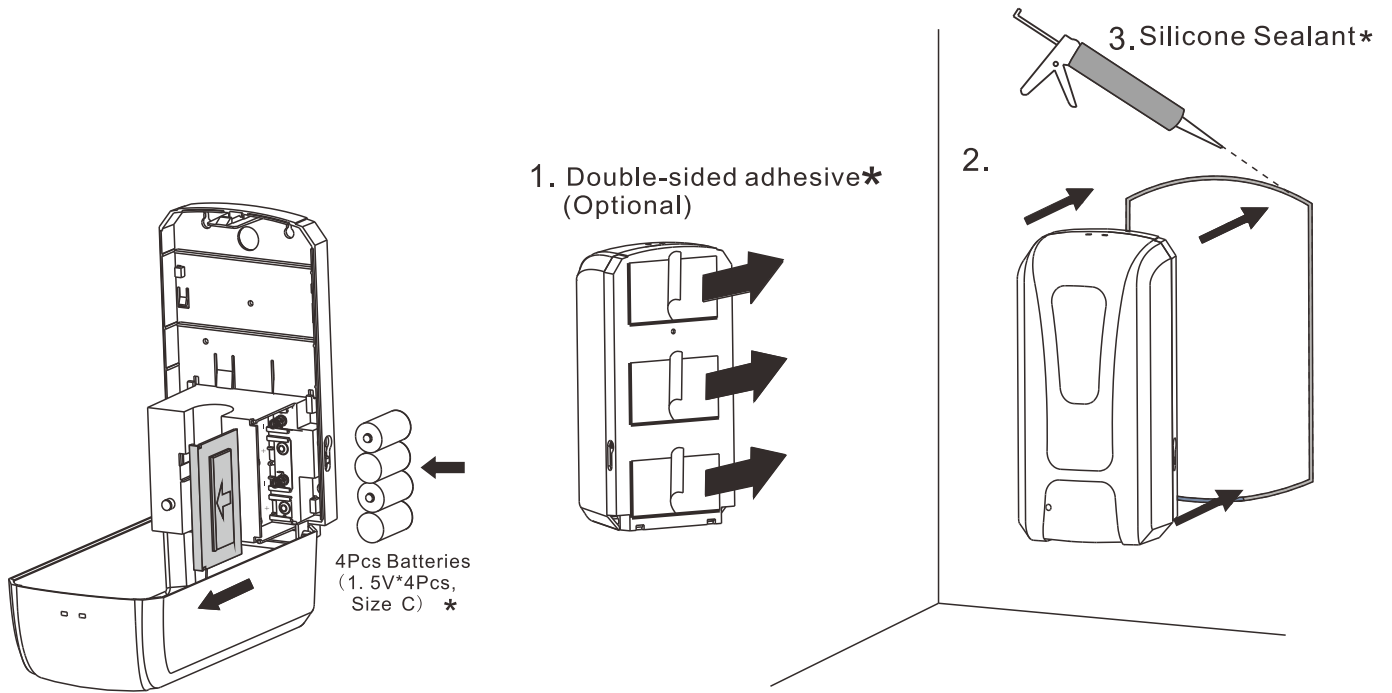


* keep away from sunshine and humid place

C Height from Floor/Table



D Way for Screw

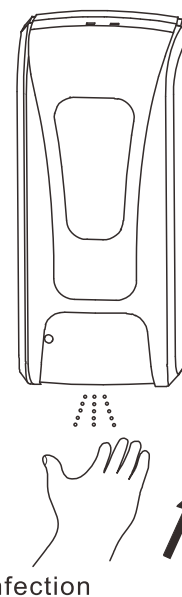
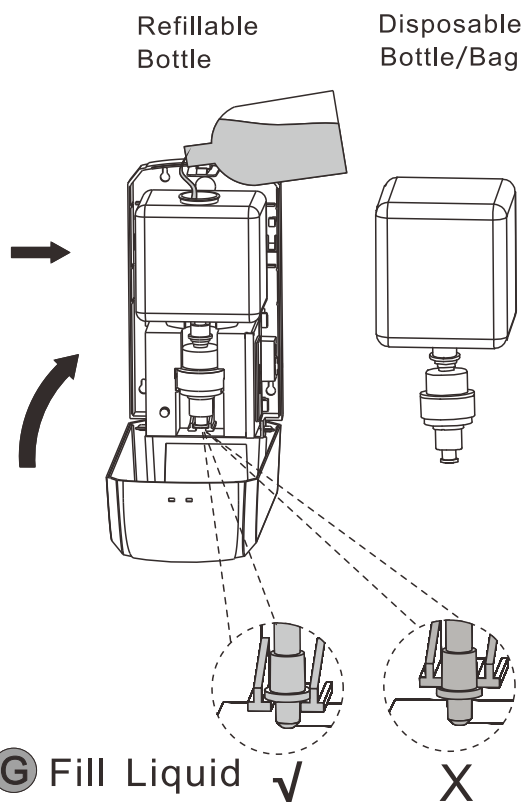


* The Standard Packing is not including and Batteries

* The standard Packing is not including Double-sided adhesive and Silicone sealant

E Install Batteries

F Installation with Adhesive Backing (no screws)



H Enjoy hand sanitizing



Universal Acrylic Soap Dispenser Holder

INSTRUCTION MANUAL

ADD-ASDH

Component Checklist

