

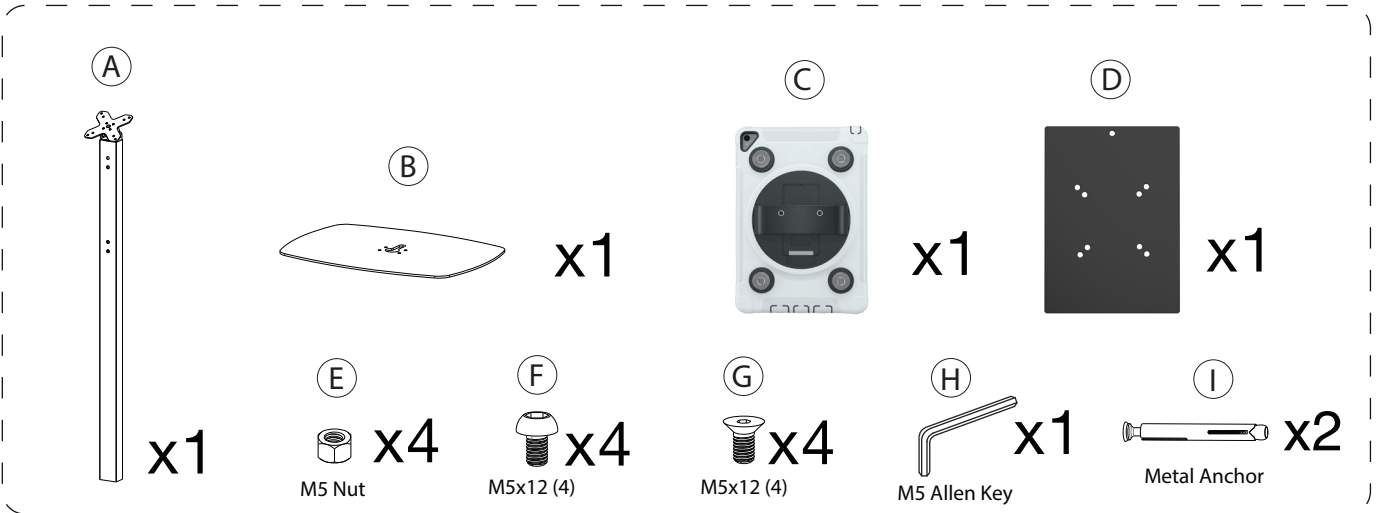


# Thin Profile Floor Stand with Removeable Magnetic Protective Case (White)

PAD-CHKWM10

INSTRUCTION - MANUAL

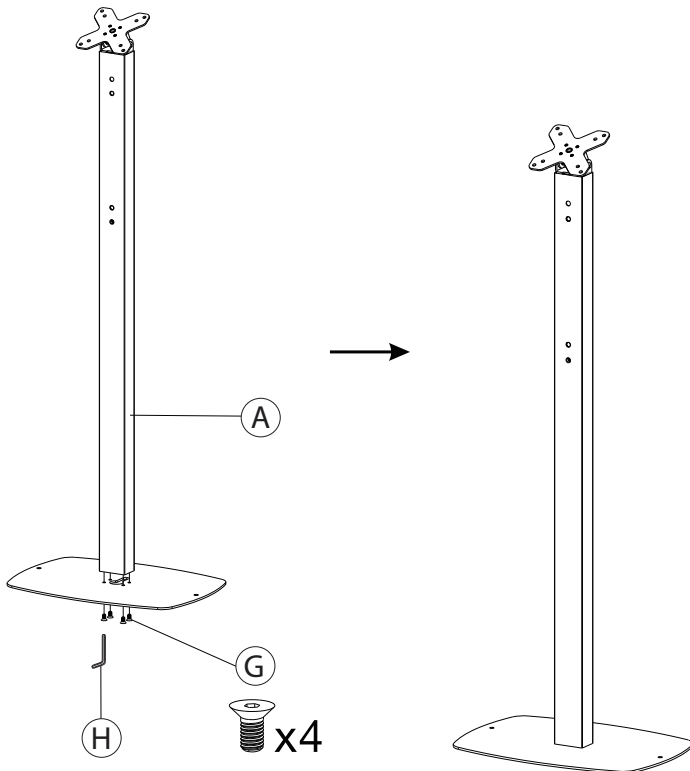
## CONTENTS:



## INSTRUCTIONS:

### 1. INSTALLING BASE:

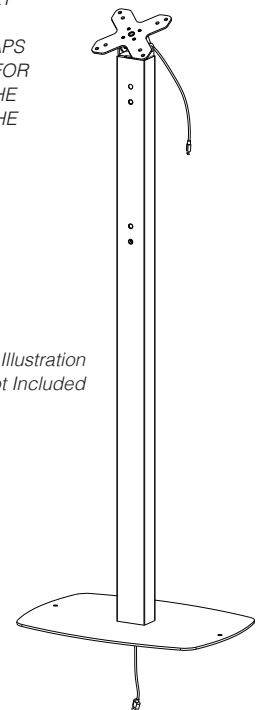
ALIGN BASE PLATE (B) WITH THE BODY (A) AND ROTATE IN SCREWS (G) FROM THE BOTTOM USING THE PROVIDED ALLEN KEY TOOL (H) AND RELATED HARDWARE NEEDED.



### 2. SETTING UP CABLE ROUTING

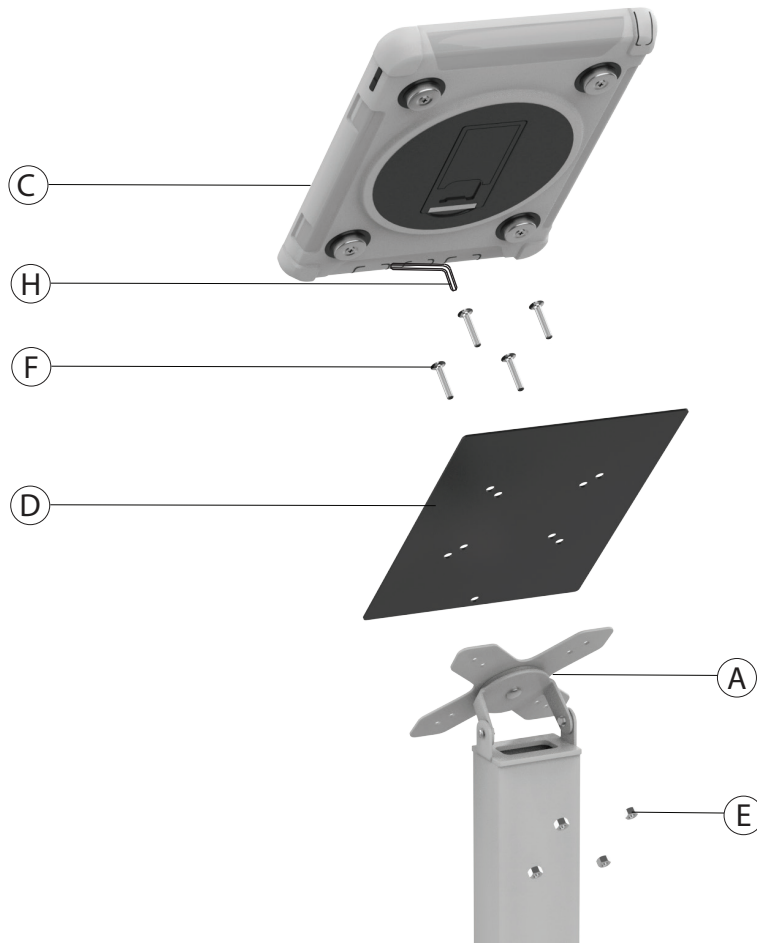
SLIDE IN THE POWER CORDS AND ANY OTHER CORDS THAT WOULD NEED TO BE CONNECTED TO THE TABLET THROUGH THE BODY AS SHOWN. THERE WILL BE GAPS AT THE TOP AND BOTTOM FOR THEM TO ROUTE OUT TO THE POWER SOURCE AND TO THE DEVICE

*\*\*Wire and Cord for Illustration Purposes Only and Not Included*



### 3. MOUNTING MAGNETIC PLATE AND TABLET CASE

ALIGN THE VESA HOLES ON THE MAGNETIC PLATE (D) WITH THE VESA MOUNT ON THE BASE BODY (A). USING THE SPECIAL ALLEN KEY (H), ROTATE IN SCREWS (F) FROM THE FRONT WHILE HOLDING THE HEX NUTS (E) FROM THE BACK BEHIND WITH FINGERS. SCREW IN UNTIL SECURELY TIGHTENED. REPEAT FOR ALL (4) SCREWS. ONCE MAGNETIC PLATE IS ATTACHED, LAY MAGNETIC CASE ONTO THE PLATE FOR A FLOOR STAND SETUP.



### (OPTIONAL) BOLTING FLOOR STAND DOWN

USING A POWERDRILL OR SIMILAR (NOT PROVIDED) THAT IS THE SAME SIZE AS YOUR METAL ANCHOR - CREATE A CAVITY IN THE FLOOR. INSERT THE BASE PART OF THE METAL ANCHOR (I), AND SCREW IN THE NAIL COMPONENT OF THE METAL ANCHOR (I) FROM ABOVE WITH A SCREWDRIVER (NOT PROVIDED) UNTIL SECURELY TIGHTENED. REPEAT FOR ALL HOLES.

*\*\*Screwdriver for Illustration Purposes Only and Not Included*

