

Security Universal Holder POS Station

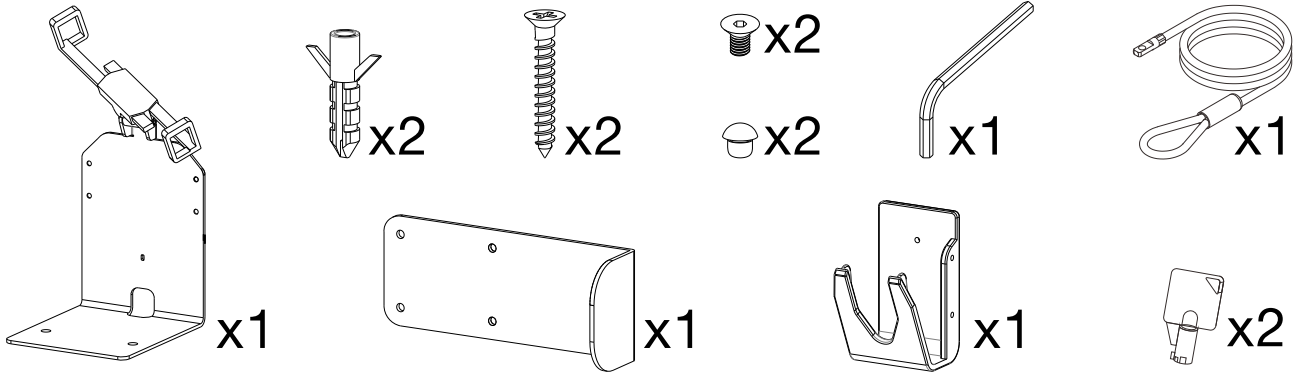
with Printer Stand & Magnetic Scanner Holder



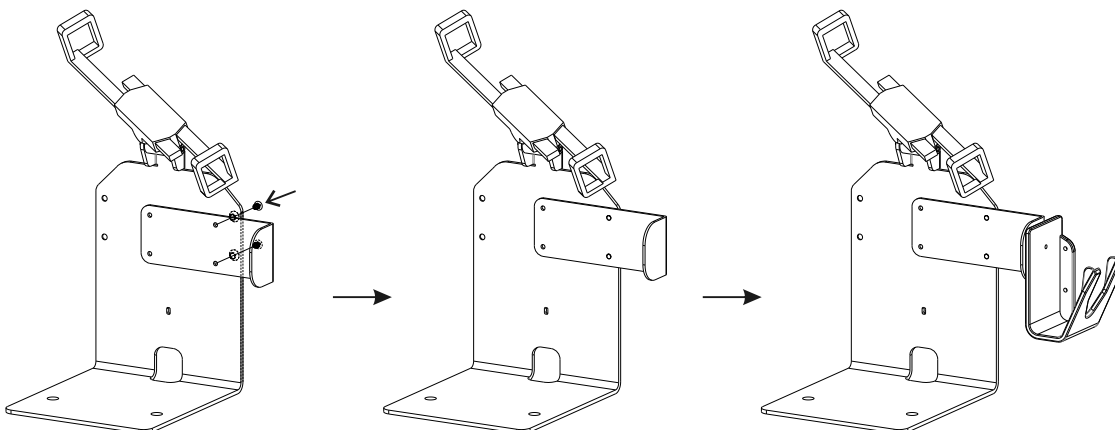
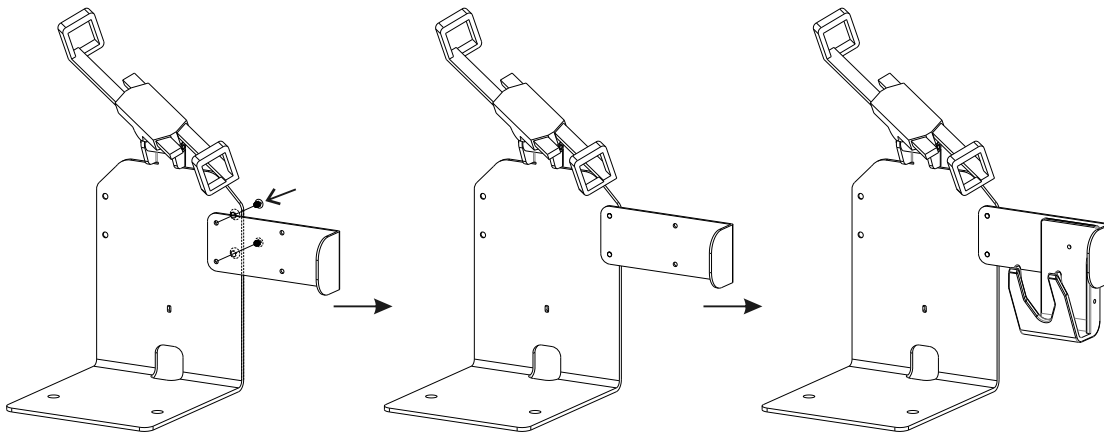
INSTRUCTION MANUAL

PAD-CHKS

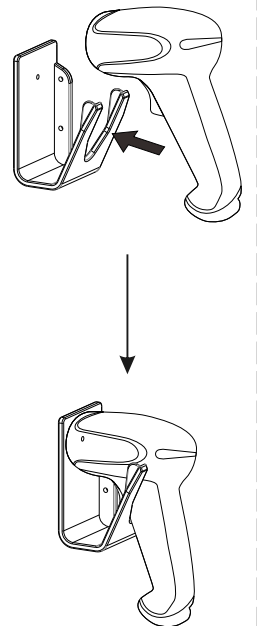
Component Checklist



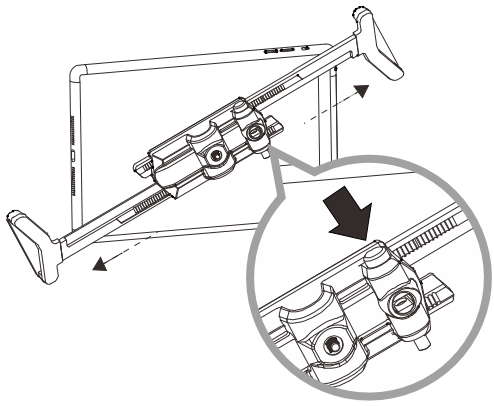
Two arm length choice



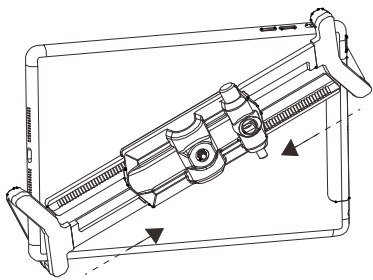
Fit Scanner



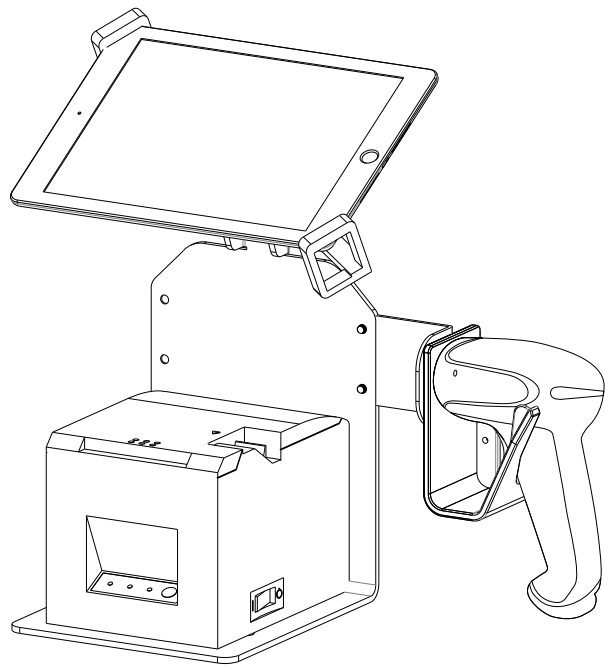
Install the Tablet PC



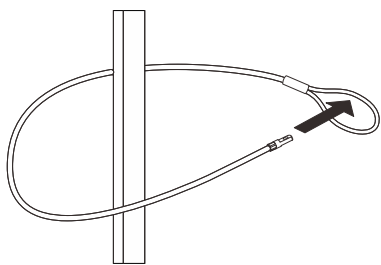
1. Press and hold on the release button to unlock the frame.



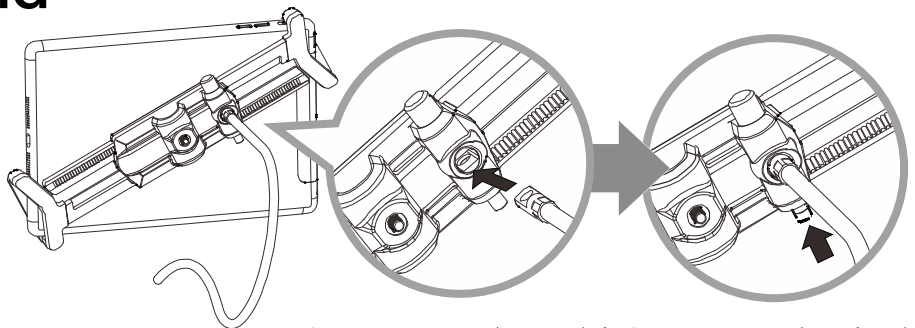
2. Adjust the frame fit your Tablet PC.



Lock the Stand



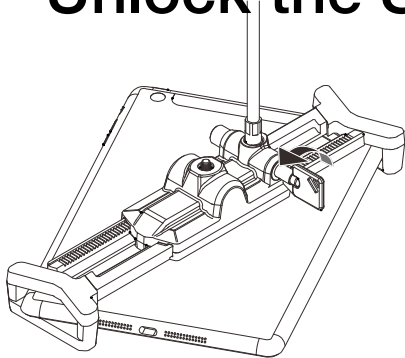
1. Loop the cable around a secure object.



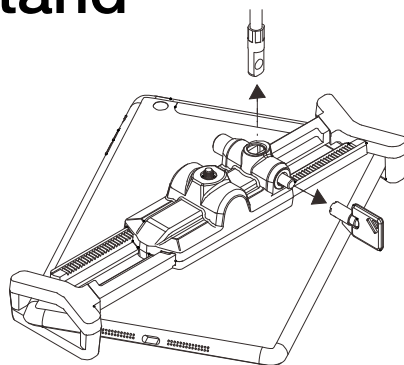
2. Insert the cable into the security slot.

3. Press the lock button to lock the frame and cable.

Unlock the Stand



1. Insert the key into the lock button to release the cable.



2. Take out cable and key to unlock.