

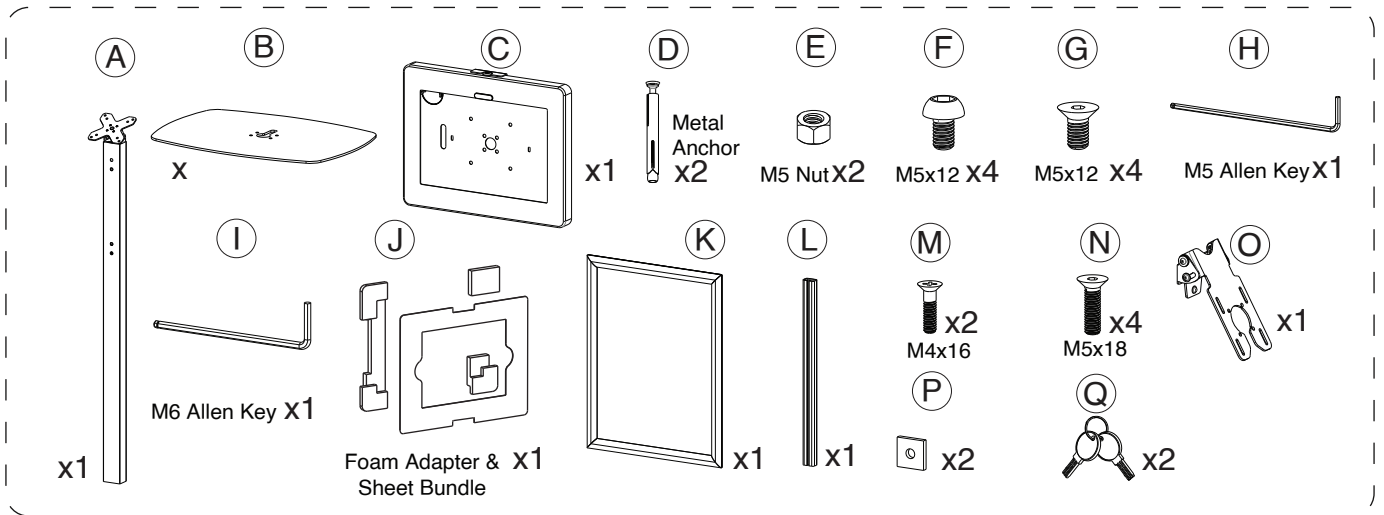


# Thin Profile Graphic Sign Floor Stand With Security Enclosure

PAD-CHKGRA

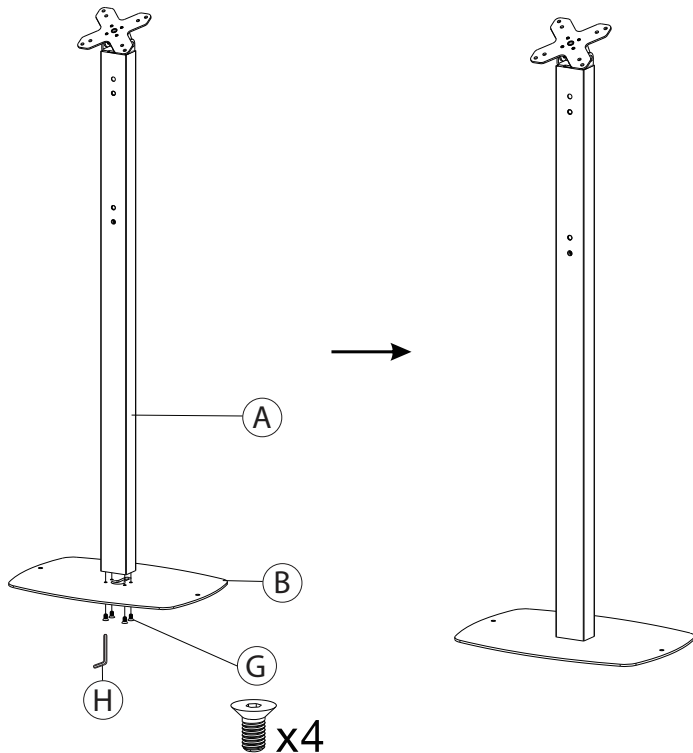
INSTRUCTION - MANUAL

## CONTENTS:

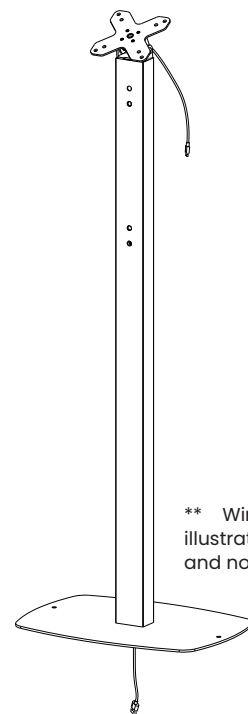


## INSTRUCTIONS:

### 1. Installing base



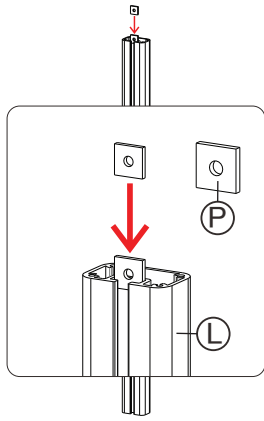
### 2. Setting up cable routing



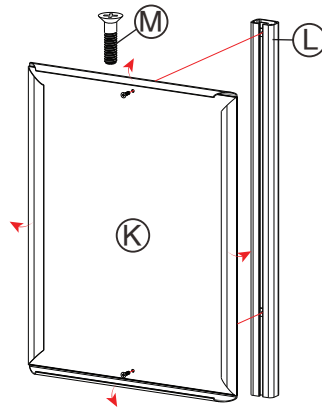
\*\* Wire and core for illustration purposes only and not included.

2A. Slide in the cables that need to be connected to the tablet through the body as shown. Start at the top and fish the wire through the body and out through the bottom as illustrated above.

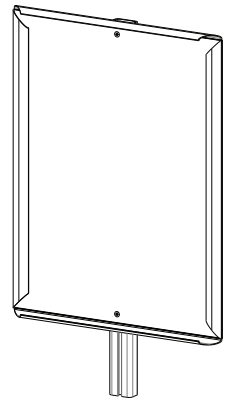
### 3. Attaching bracket to graphic panel



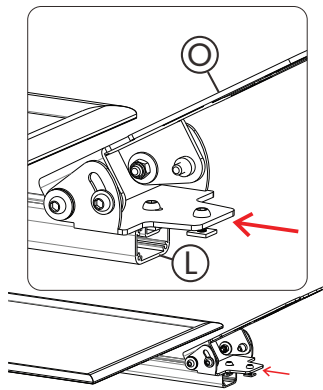
3A. Grab both mounting component (P) and slide it through the bracket (L) as illustrated.



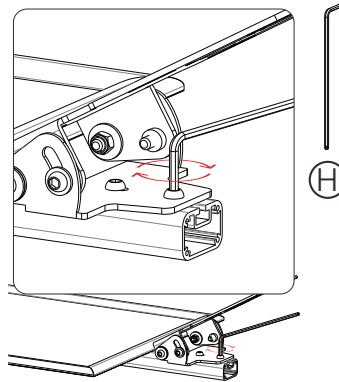
3B. Align mounting component (L) with the holes of graphic panel (K). Rotate in two screws (M) with screwdriver (not included) until securely fastened.



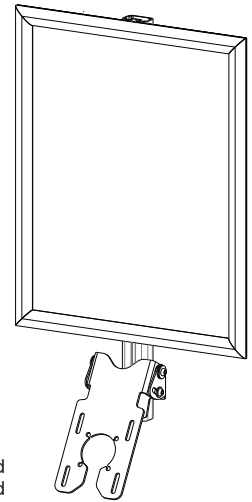
### 4. Attaching VESA component



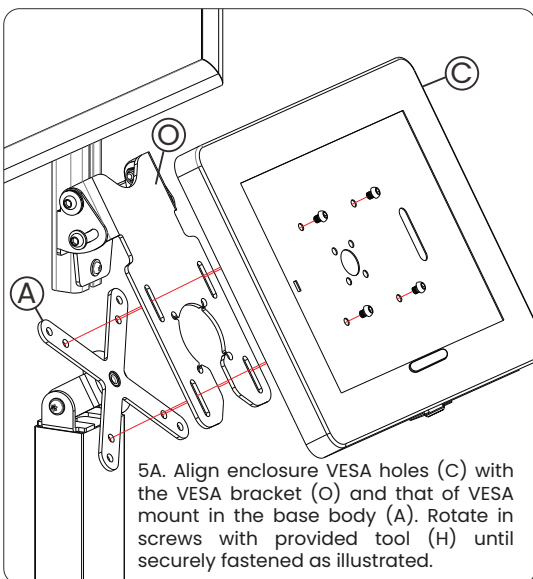
4A. Identify the VESA component (O) and slide the back side screw grooves to the U-shape of the front of the center bracket (L) as illustrated above.



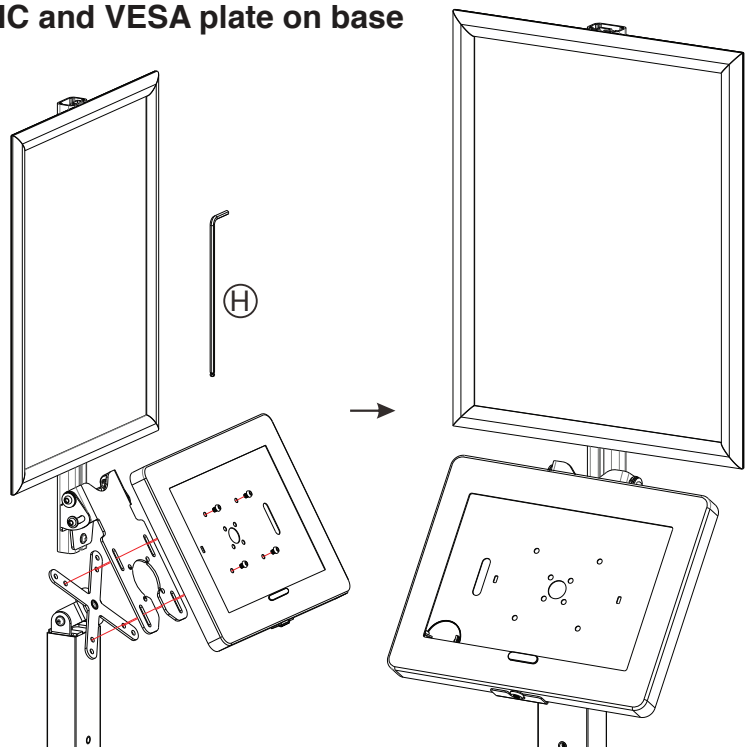
4B. When desired location is located, use provided tool (H) and rotate in front of screws as illustrated above until securely fastened.



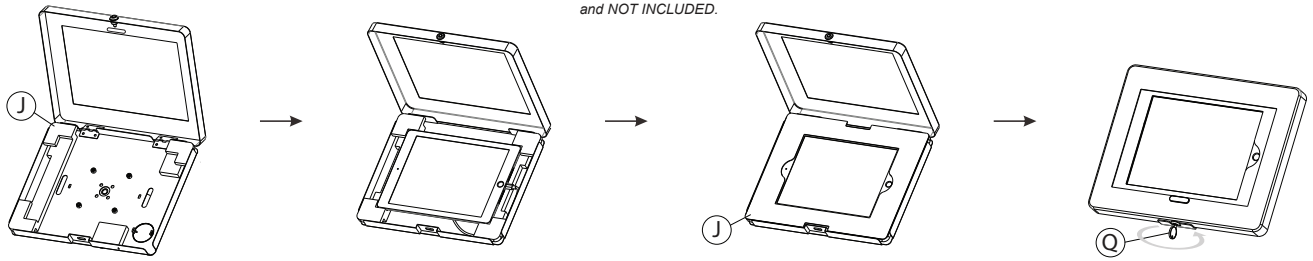
### 5. Attaching enclosure to ADD-GRAPHIC and VESA plate on base



5A. Align enclosure VESA holes (C) with the VESA bracket (O) and that of VESA mount in the base body (A). Rotate in screws with provided tool (H) until securely fastened as illustrated.



## 6. Setting up device & enclosure



\*\*Tablet shown for illustration and NOT INCLUDED.

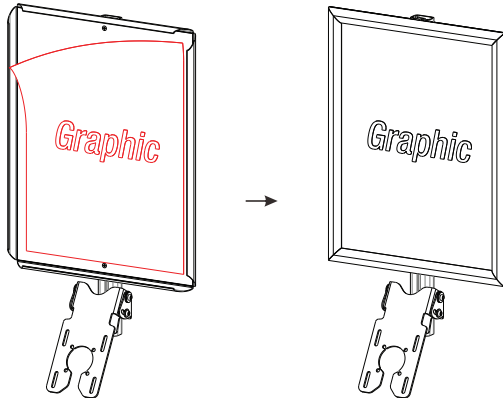
6A. Insert the appropriate foam piece (J) that is compatible with your tablet.

6B. Insert tablet as shown. Plug in power cable to tablet and cable route through the back.

6C. Place the appropriate provided tablet cover (J) to match your tablet.

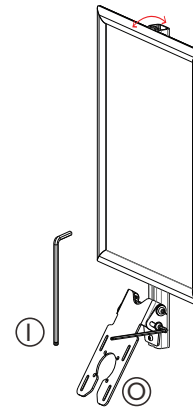
6D. Close the enclosure and lock it with the included set of keys (Q).

## 7. Attaching Graphic Decal



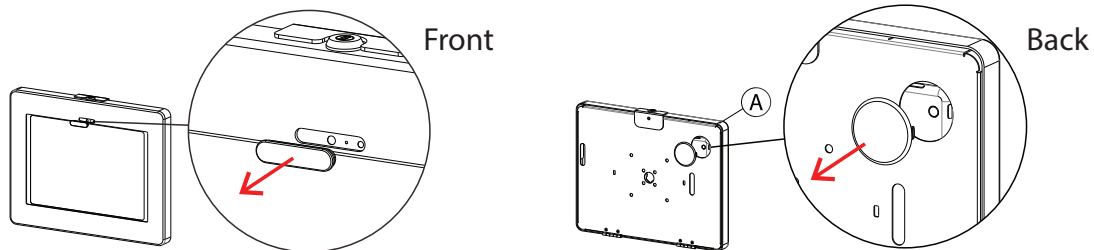
7A. Using your hands, open the edges of the frame. Place adhesive graphic onto surface as illustrated. Then close the edges of the frame when finished.

## 8. Adjusting Tilt Angle



8A. Using provided tool (I), rotate side screws of VESA component (O) to loosen. Adjust to preferred tilt angle. Then rotate opposite way to tighten until securely fastened.

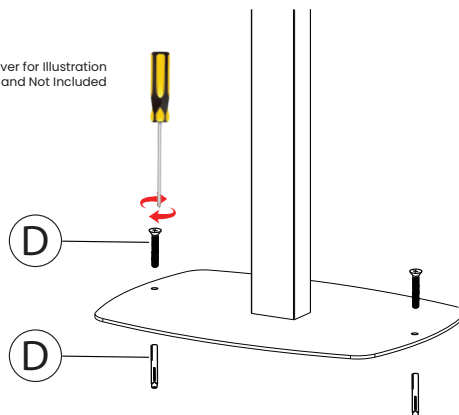
## 9. Removing Plastic Covers



9A. Please remove the rubber front cover if you want to use iPad 10th with front camera exposed as well back cover to expose rear camera.

## 10. (Optional). Bolting floor stand down

\*\*Screwdriver for illustration Purposes Only and Not Included



10A. Using a power drill or similar (note provided) that is the same size as your metal anchor - create a cavity in the floor. Insert the base part of the metal anchor (D), and screw in the nail component of the metal anchor (D) from above with a screwdriver (not provided) until securely tightened. Repeat for all holes.