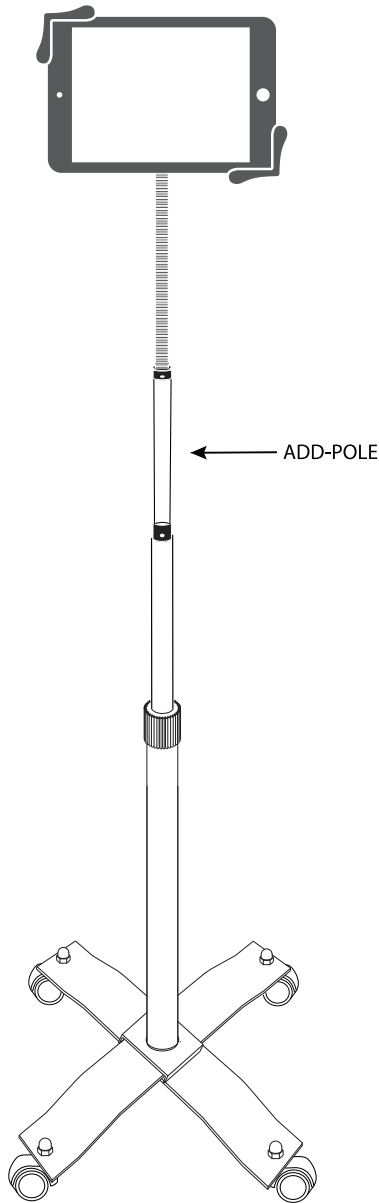




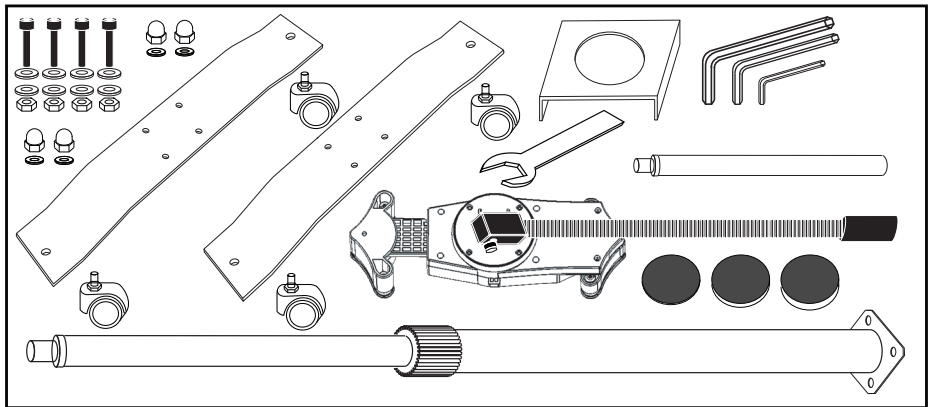
# Height Adjustable Gooseneck Floor Stand & Connecting Pole Add-on

INSTRUCTION MANUAL

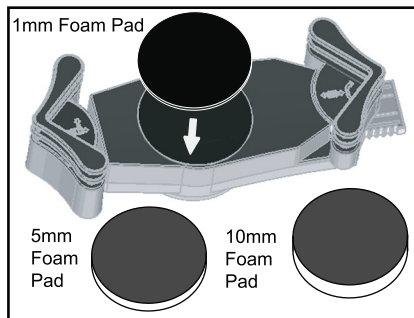
PAD-CGS & ADD-POLE



## Package contents:



## Attaching Foam Pad to Tablet Holder



Use this table to determine the appropriate foam pad to use with your tablet.

Note: sizes refer to total tablet size with or without a case.

Foam Pad Thickness	Tablet Thickness:
1mm	0.67-1.06in / 17-27mm
5mm	0.51-0.91in / 13-23mm
10mm	0.31-0.71in / 8-18mm

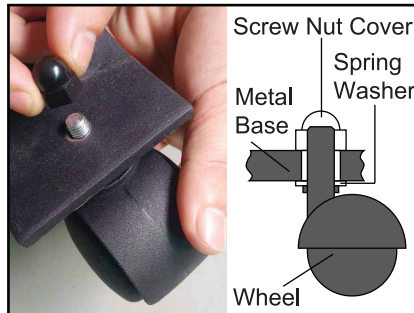
1. Select the suitable foam pad according to your tablet thickness, then stick it correctly to the middle circle of the tablet holder.

## Instructions:

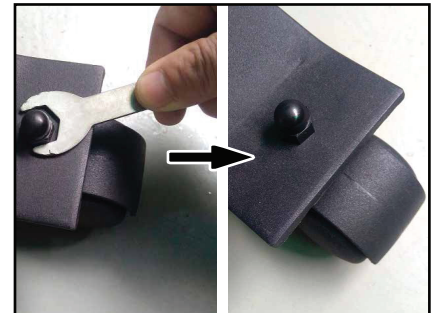
### 1. Installing the Wheels



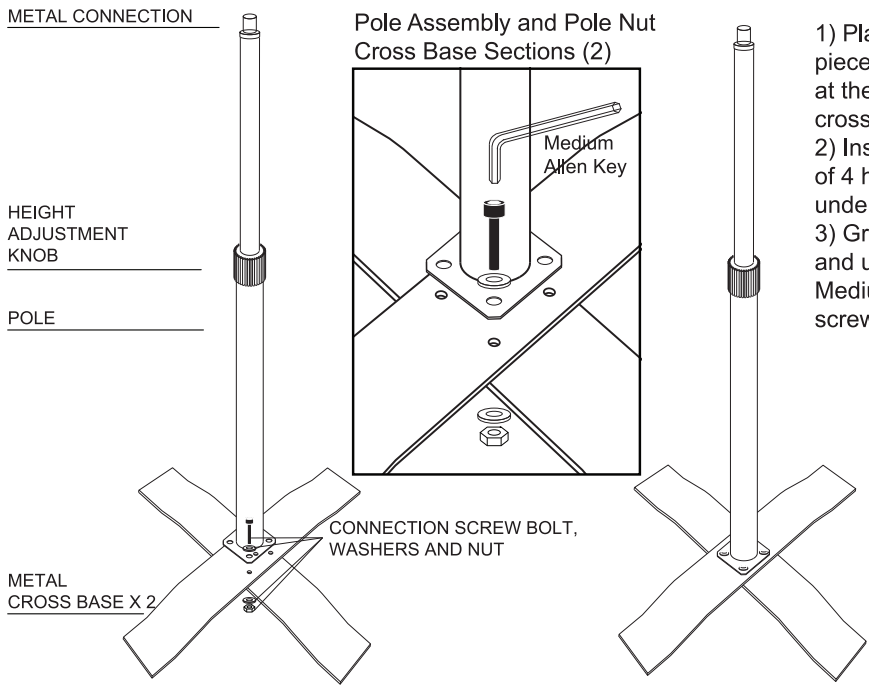
Place a spring washer over the screw bolt on the wheel.



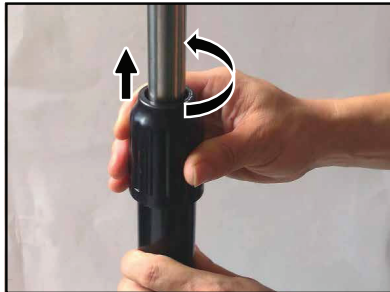
Place the screw bolt from each wheel through the metal base, then place a nut cover over the top of each and tighten until you can not tighten any more by hand. Use the thin wrench to hold the nut cover to tighten further.



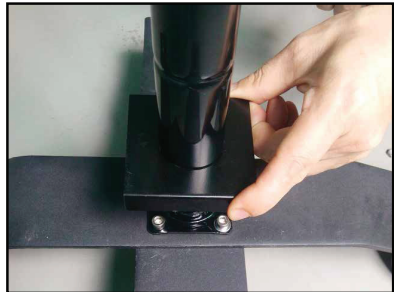
## 2. Base Assembly and Connecting the Metal Cover:



- 1) Place the metal base pieces with the higher piece on top of the cross base. Align the holes at the bottom of the pole with the holes on the cross base.
- 2) Insert a screw bolt with a washer into each of 4 holes. Place another washer on the underside of each screw bolts.
- 3) Grip the nut on the underside with one hand, and use the other to tighten each screw with Medium Allen key. Repeat to tighten all four screw bolts.



4. Rotate the grip counter clockwise to loosen completely and remove from top of pole.

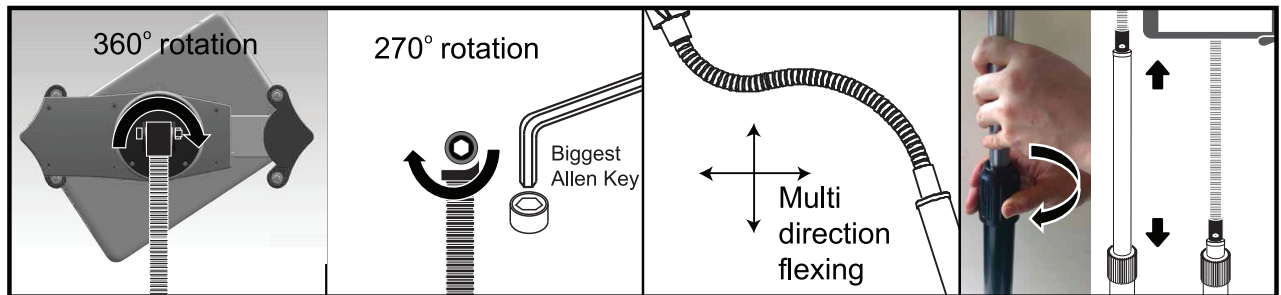


5. Place the square metal cover over the top of the pole and slide down to stand base.



6. Place grip back over stand pole and tighten.

## 3. Adjustment:



Use the biggest Allen key to tighten and loosen the gooseneck connection screw, adjusting ease of rotation in the tablet holder.

Gooseneck flexes by hand. To adjust the height of the pole, turn plastic cover counter-clockwise and raise or lower the pole to desired height. Turn clockwise again to lock it in place.

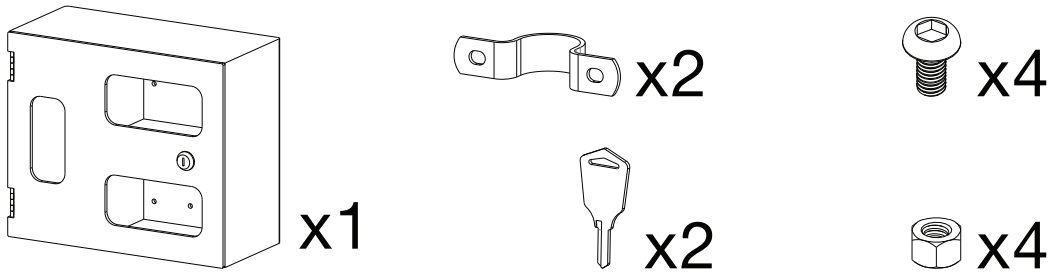


# Security Acrylic Sanitizing Station

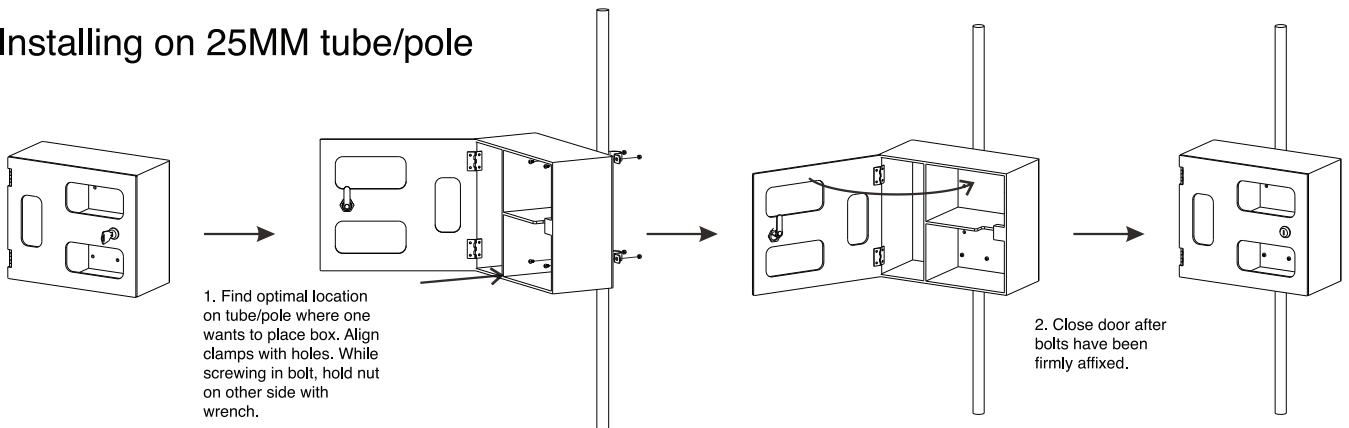
## INSTRUCTION MANUAL

### ADD-GLVBOX

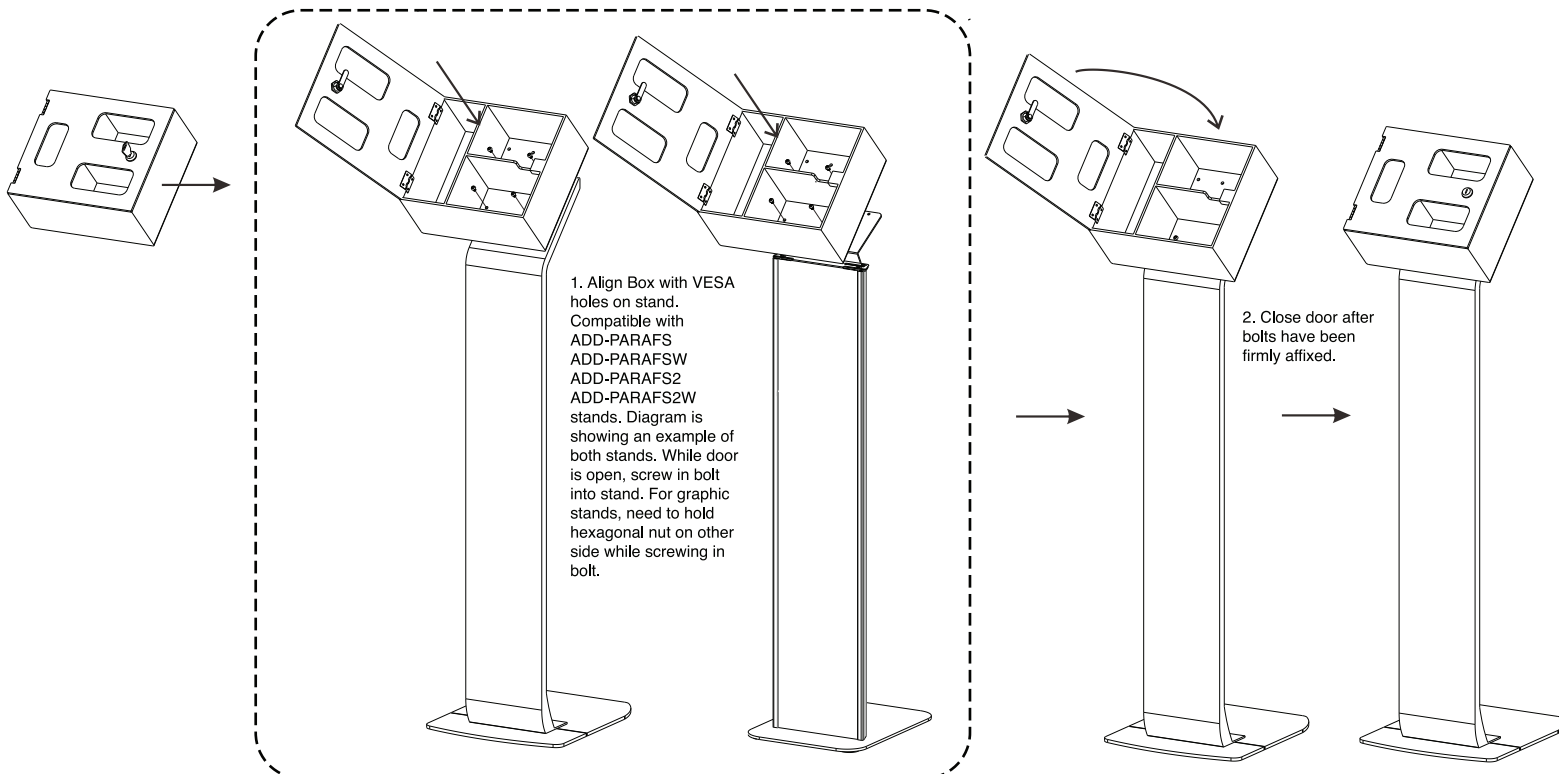
## Component Checklist



### Installing on 25MM tube/pole



### Installing on a VESA 75x75 size

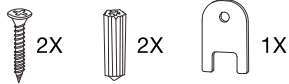
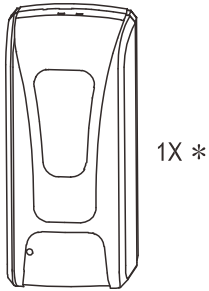




# Automatic Hand Sanitizer Dispenser

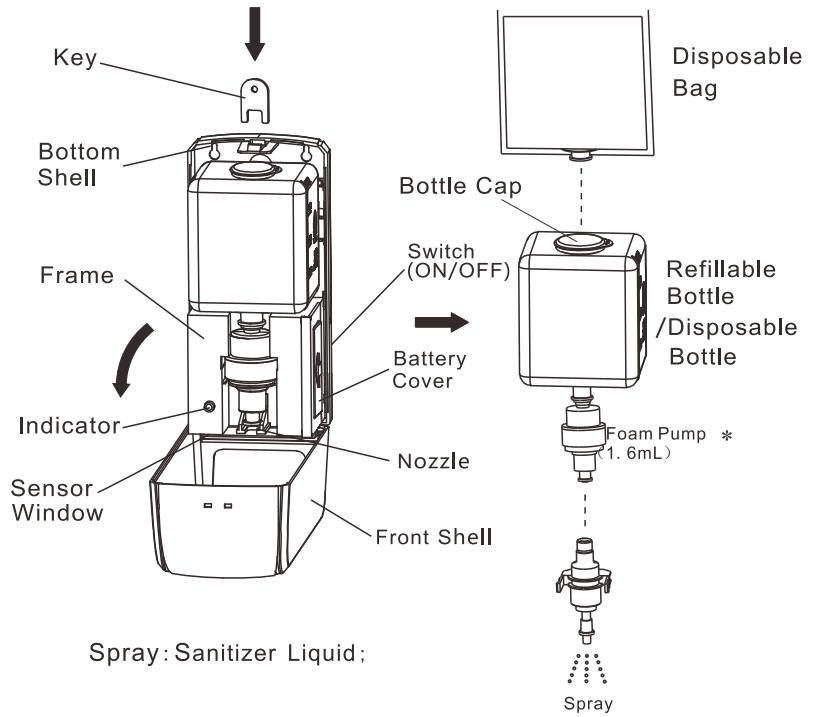
## INSTRUCTION MANUAL

### ADD-AUTOSP

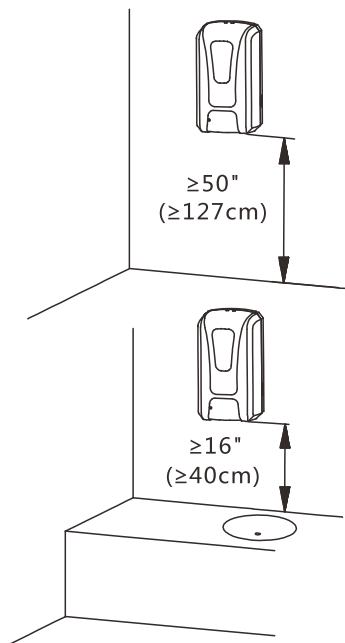


\* we have different shape but same installation.

#### A Packing List

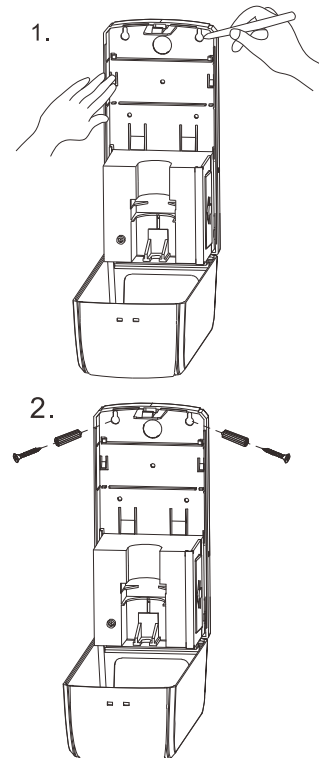


#### B Part Name

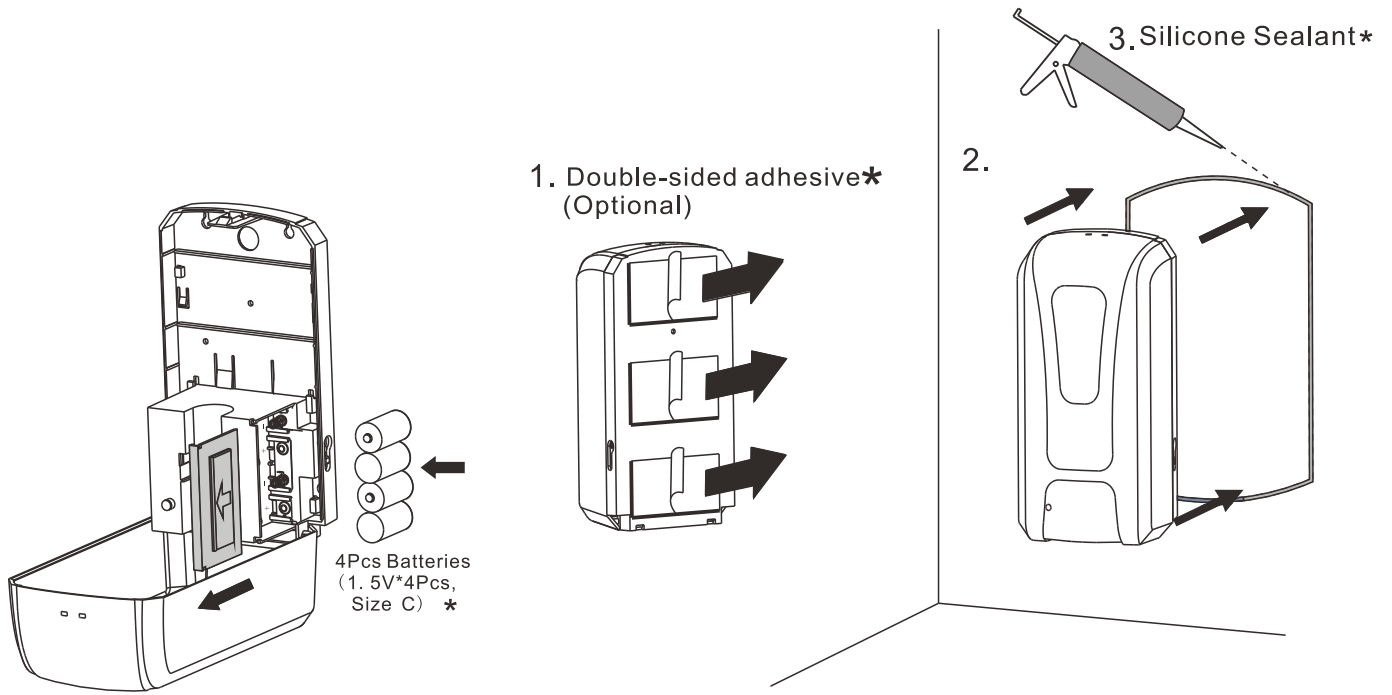


\* keep away from sunshine and humid place

#### C Height from Floor/Table



#### D Way for Screw

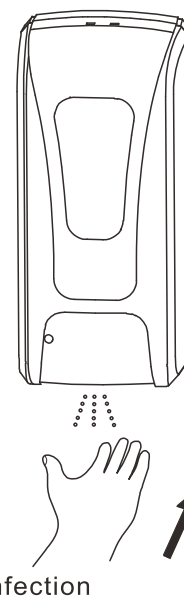
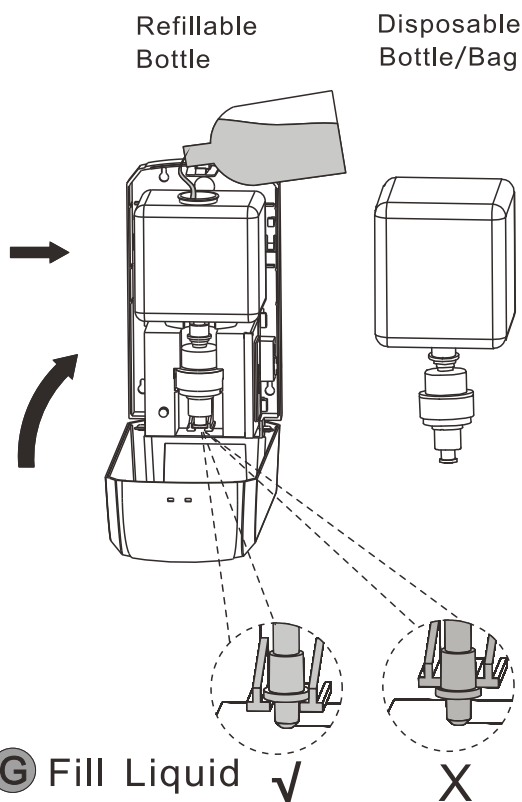


\* The Standard Packing is not including and Batteries

\* The standard Packing is not including Double-sided adhesive and Silicone sealant

**E** Install Batteries

**F** Installation with Adhesive Backing (no screws)



**H** Enjoy hand sanitizing

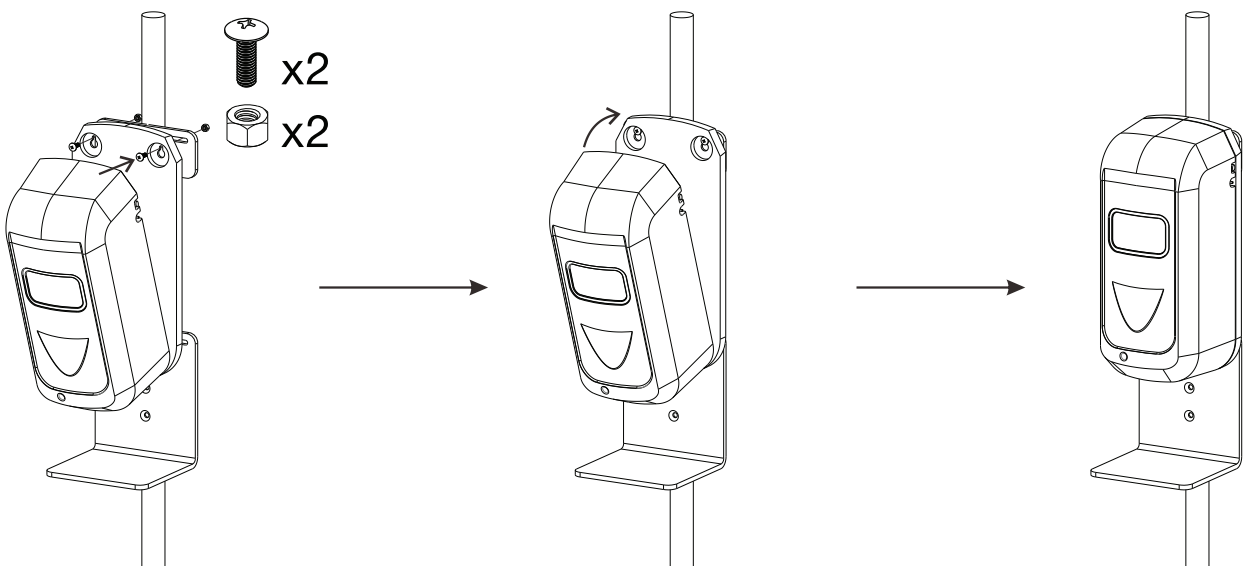
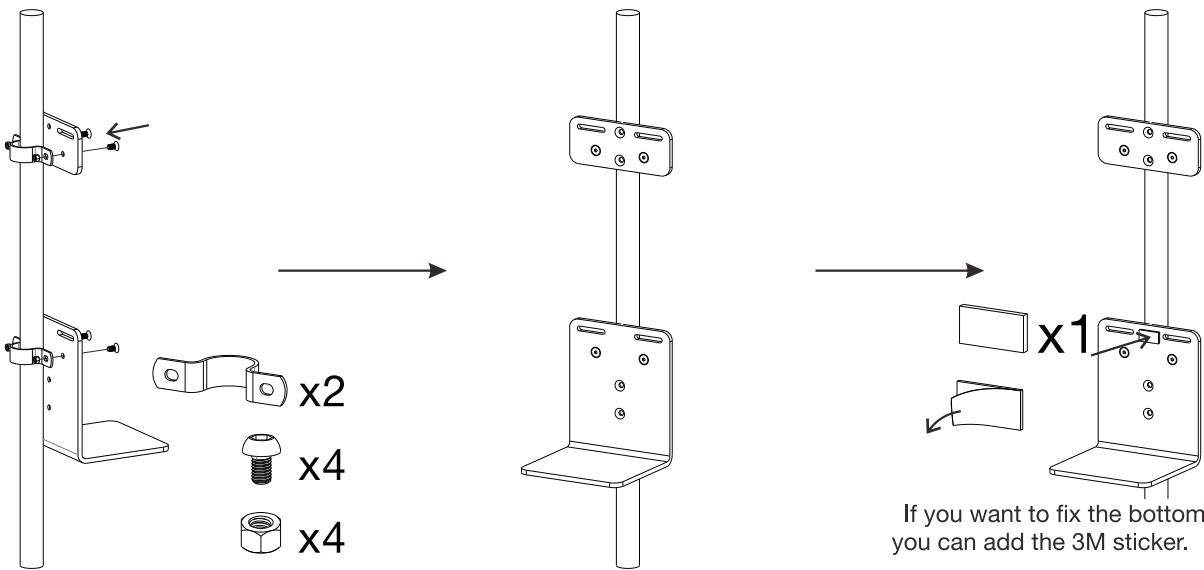
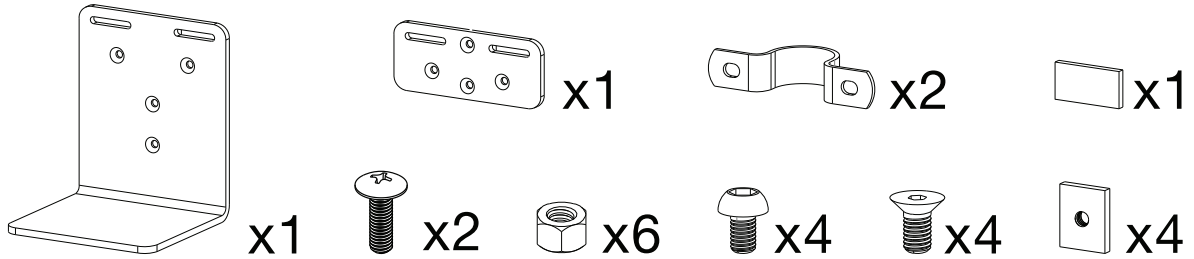


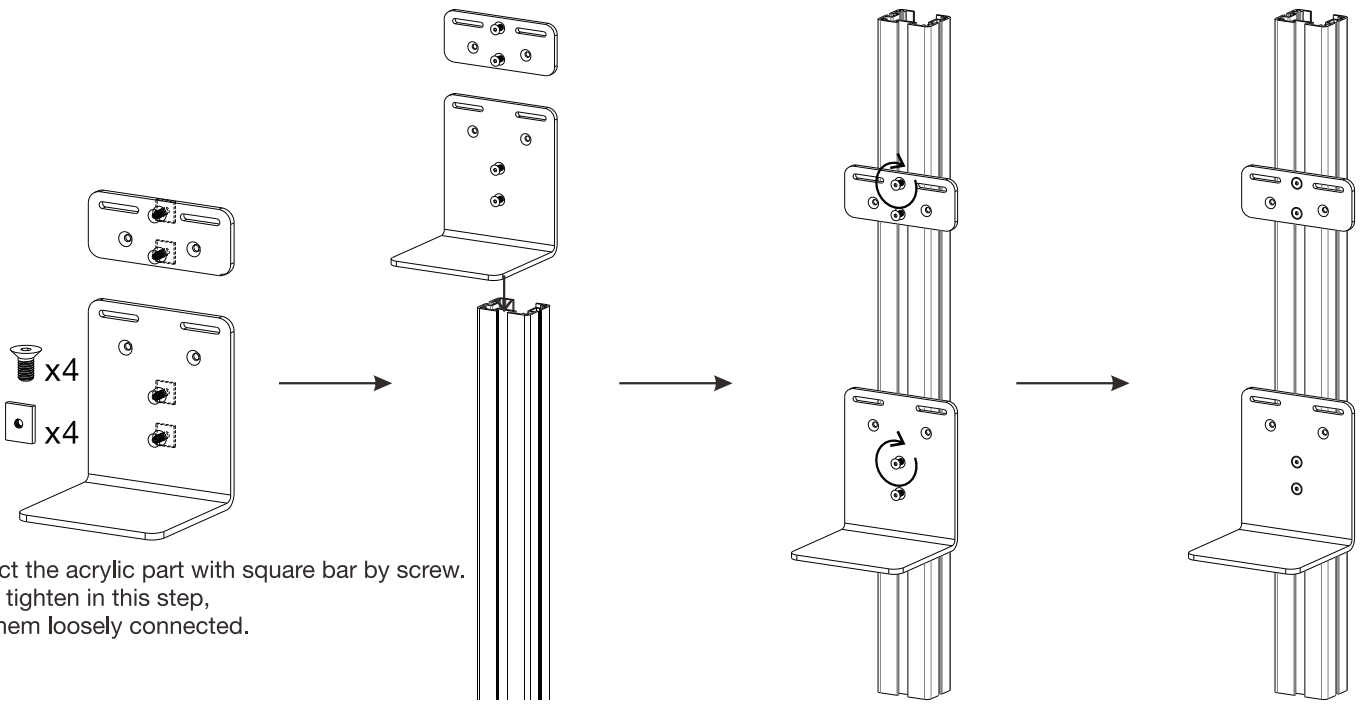
# Universal Acrylic Soap Dispenser Holder

## INSTRUCTION MANUAL

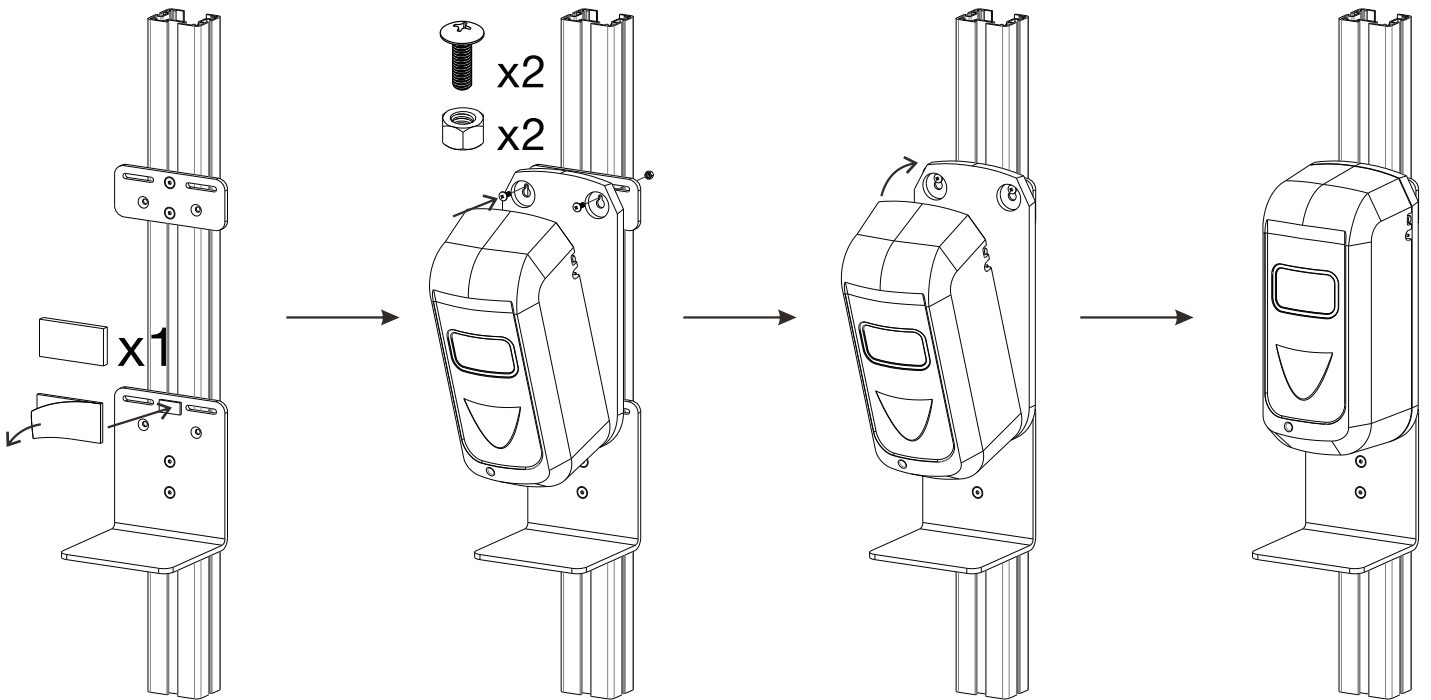
ADD-ASDH

### Component Checklist





Connect the acrylic part with square bar by screw.  
Do not tighten in this step,  
keep them loosely connected.



If you want to fix the bottom as well,  
you can add the 3M sticker.