



CTA DIGITAL

# PAD-CGS

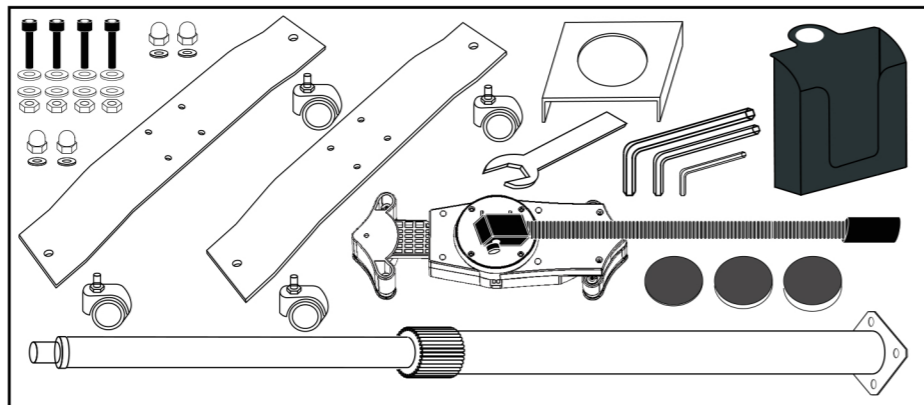
## Height-Adjustable Gooseneck Floor Stand for 7-13 Inch Tablets

### INSTRUCTION MANUAL

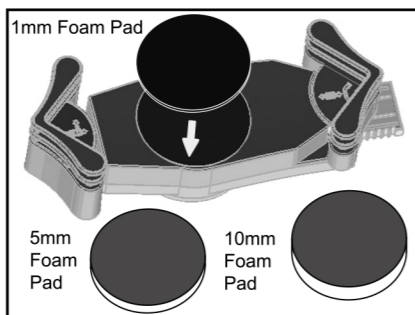
Thank you for choosing CTA Digital's product. We hope that you will enjoy using it. Please follow the guidelines and instructions as laid out in this instruction manual.



### Package contents:



### Attaching Foam Pad to Tablet Holder



Use this table to determine the appropriate foam pad to use with your tablet. Note: sizes refer to total tablet size with or without a case.

Foam Pad Thickness	Tablet Thickness:
1mm	0.67-1.06in / 17-27mm
5mm	0.51-0.91in / 13-23mm
10mm	0.31-0.71in / 8-18mm

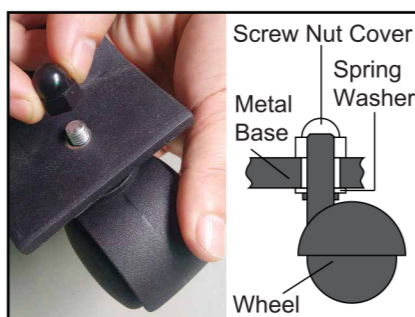
1. Select the suitable foam pad according to your tablet thickness, then stick it correctly to the middle circle of the tablet holder.

### Instructions:

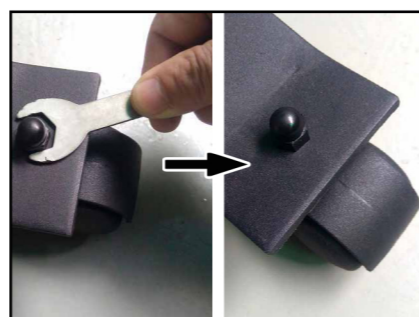
#### 1. INSTALLING THE WHEELS



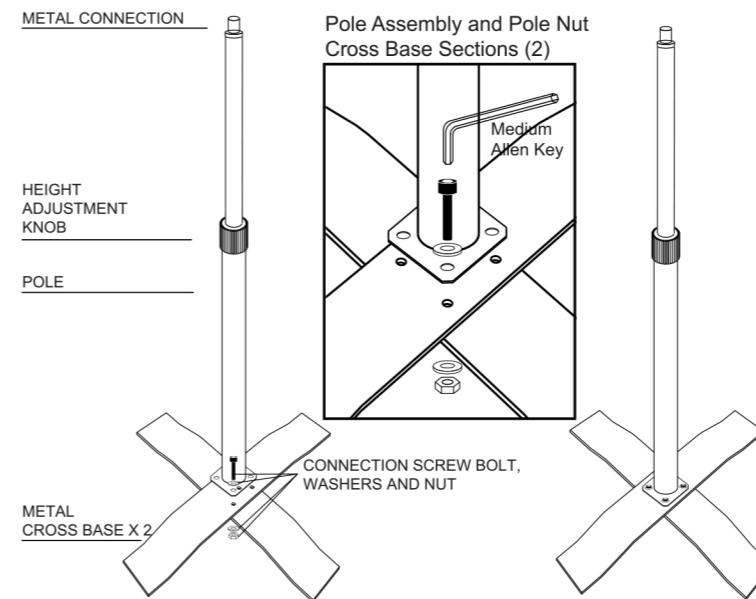
Place a spring washer over the screw bolt on the wheel.



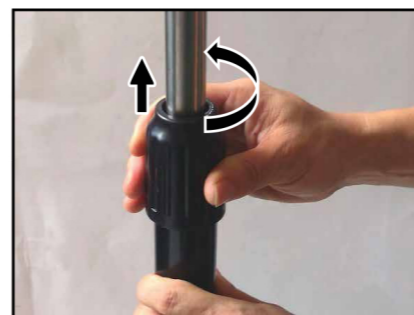
Place the screw bolt from each wheel through the metal base, then place a nut cover over the top of each and tighten until you can not tighten any more by hand. Use the thin wrench to hold the nut cover to tighten further.



#### 2. BASE ASSEMBLY & CONNECTING THE METAL COVER:



- 1) Place metal base pieces w/ the higher piece on top of the cross base. Align the holes at the bottom of the pole with the holes on the cross base.
- 2) Insert a screw bolt with washer into each of 4 holes. Place another washer on the underside of each screw bolt.
- 3) Grip the nut on the underside with one hand, and use the other to tighten each screw with Allen Key. Repeat to tighten all (3) screw bolts.



4. Rotate the grip counter clockwise to loosen completely and remove from top of pole.

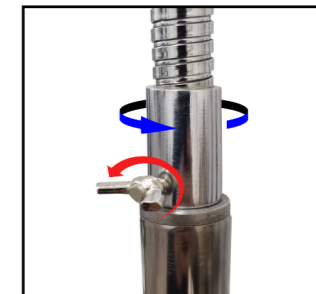


5. Place the square metal cover over the top of the pole and slide down to stand base.



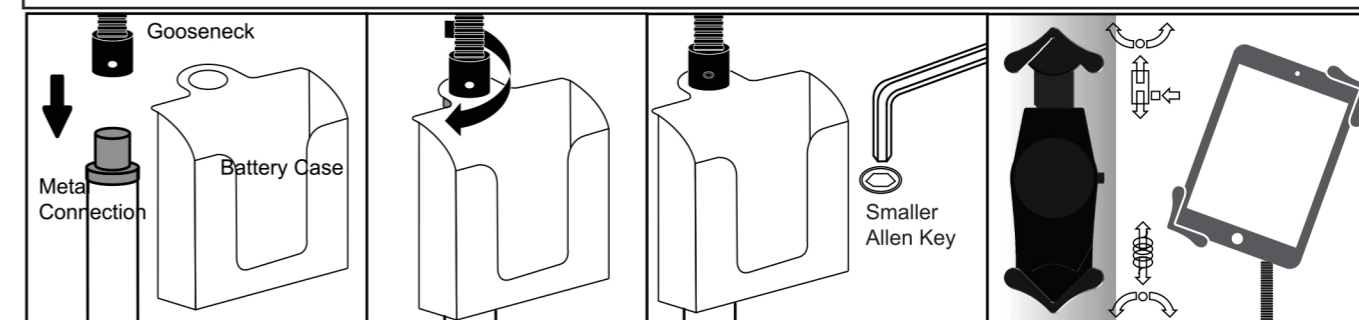
6. Place grip back over stand pole and tighten.

#### 3. INSTALL/REMOVE GOOSENECK:



Unscrew butterfly bolt completely (shown in red annotation) before adding on or removing flexible gooseneck component. (Shown with blue annotation)

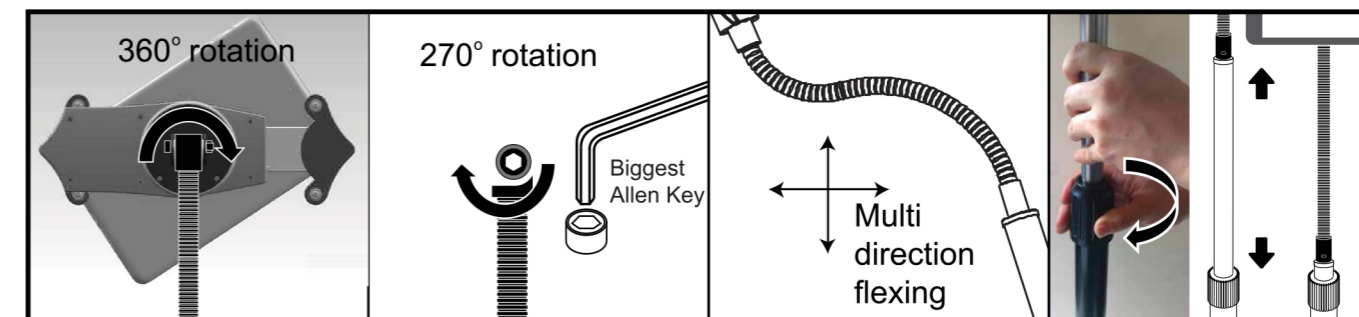
#### 4. CONNECTING THE BATTERY CASE, TABLET GOOSENECK HOLDER TO POLE & INSTALLING YOUR DEVICE:



1. Put the battery case and goose-neck to the top of the metal connection.
2. Screw up the gooseneck to hold the battery case.
3. Screw up the small meter screw inside the gooseneck to tighten the connection by the Smaller Allen Key.
4. Press button on side of tablet holder to slide open. Insert your tablet against spring arm, then slide other end back down.

Note: if meter screws are already in, unscrew before attaching gooseneck.

3. Adjustment:



Use the biggest Allen key to tighten and loosen the gooseneck connection screw, adjusting ease of rotation in the tablet holder.

Gooseneck flexes by hand. To adjust the height of the pole, turn plastic cover counter-clockwise and raise or lower the pole to desired height. Turn clockwise again to lock it in place.