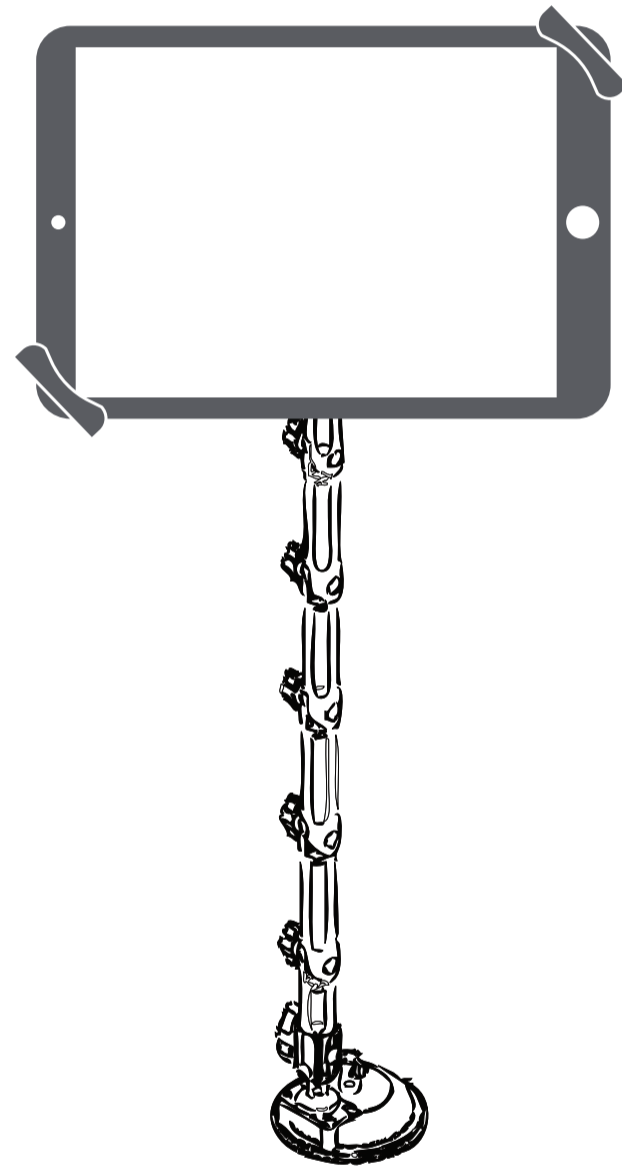




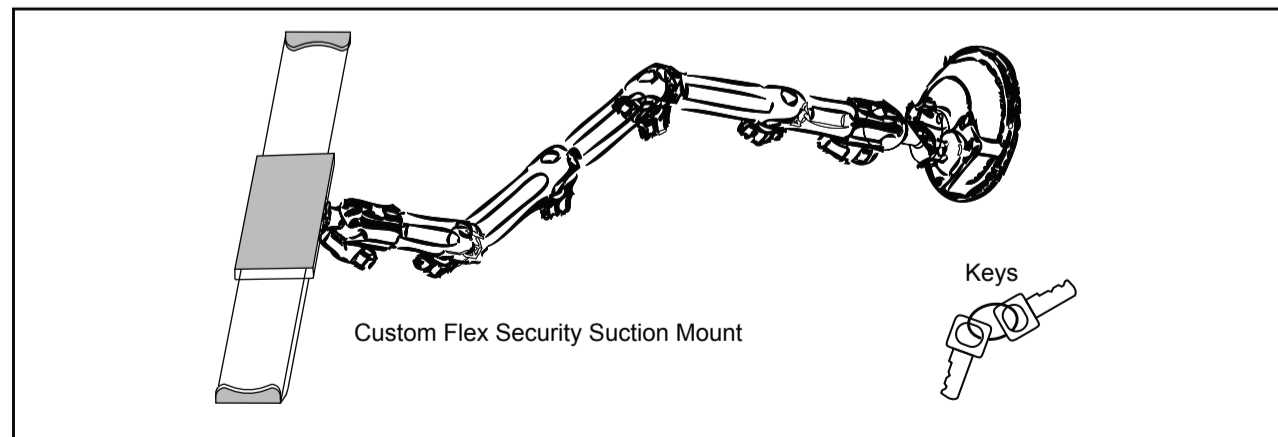
PAD-CFSMS

Custom Flex Security Suction Mount for 7-14 Inch Tablets INSTRUCTION MANUAL

Thank you for choosing CTA Digital's product. We hope that you will enjoy using it. Please follow the guidelines and instructions as laid out in this instruction manual.



Package Contents:



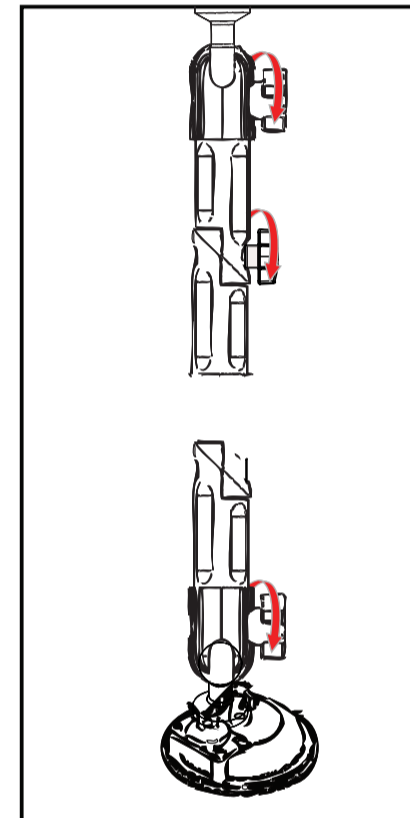
1. Attaching Suction Mount Base



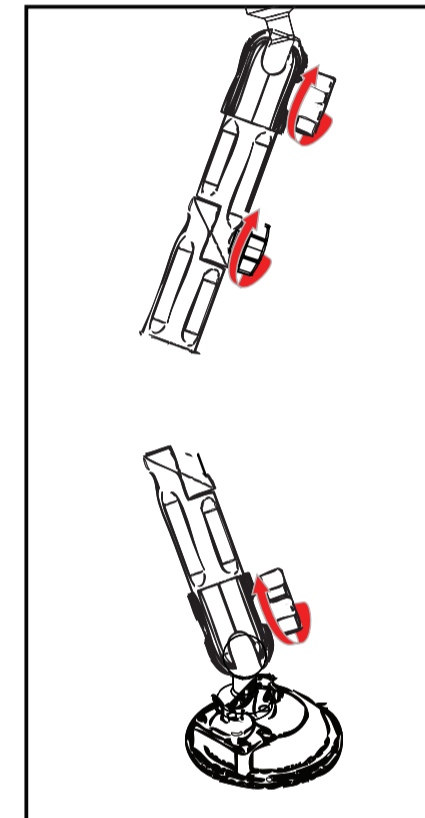
With the lock clasp up, press the suction mount against surface. Press the lock clasp down to secure in place.



2. Adjusting the Flex Arm

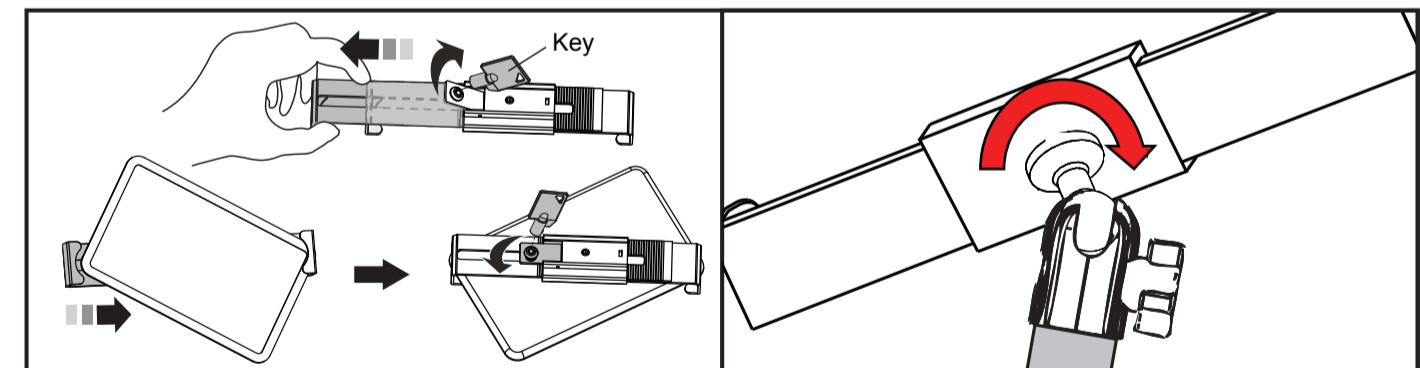


1. Twist the SCREW KNOB of the arms counter clockwise to release the connection.



2. Adjust the arms to your favorite position and then tighten the SCREW KNOB clockwise.

3. Installing your Device and Adjusting the Tablet holder



1. Insert key into lock at back of holder. Turn counterclockwise to unlock, then slide to open. Insert tablet against fixed end, then slide down to hold tight. Turn key clockwise to lock.

2. Loosen ball socket joint to rotate tablet to desired orientation, then tighten ball socket again.