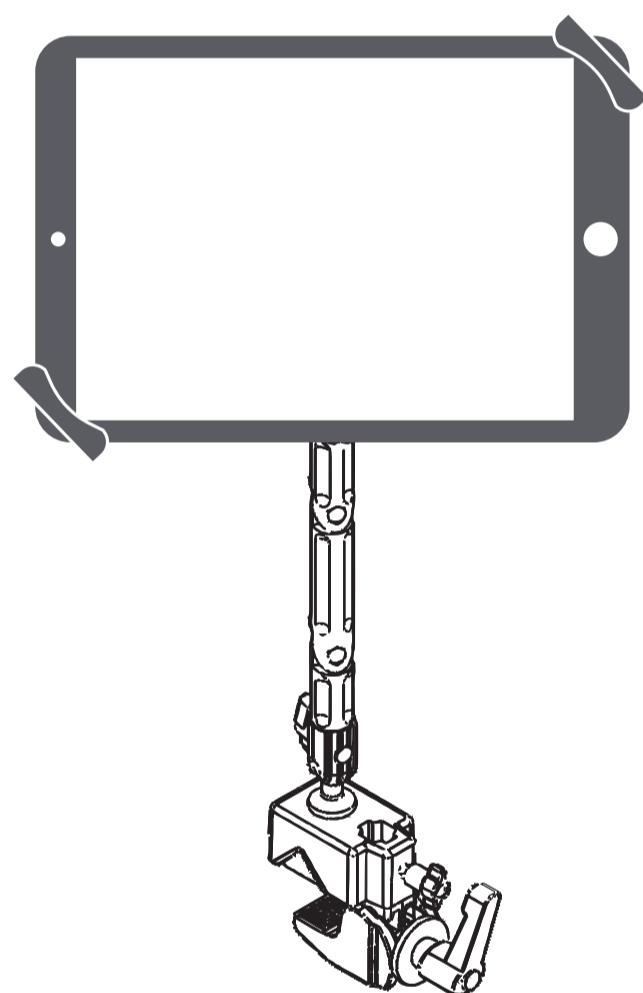




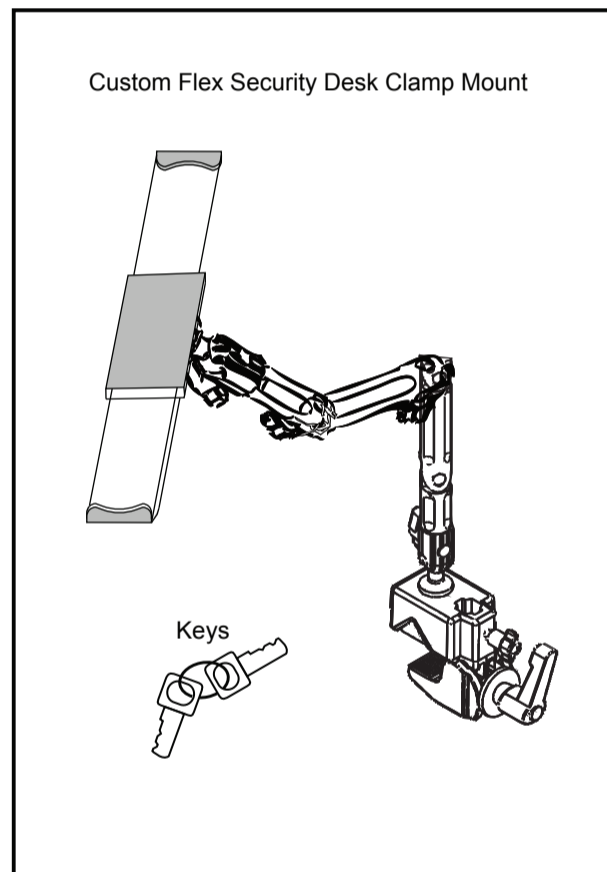
PAD-CFDCMS

Custom Flex Security Desk Clamp Mount for 7-14 Inch Tablets INSTRUCTION MANUAL

Thank you for choosing CTA Digital's product. We hope that you will enjoy using it. Please follow the guidelines and instructions as laid out in this instruction manual.

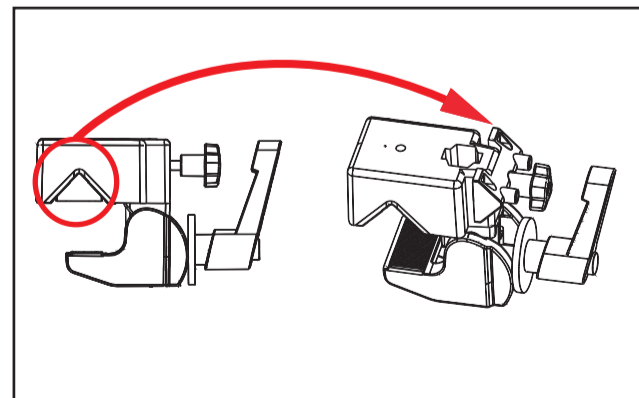


Package Contents:

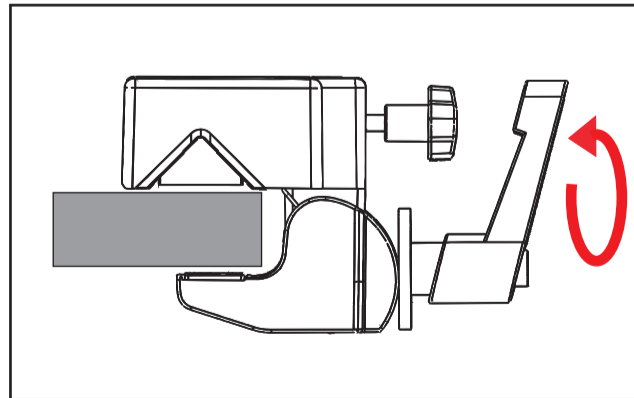


Instructions:

1. Installing Custom Flex Security Desk Clamp Mount to the Desk



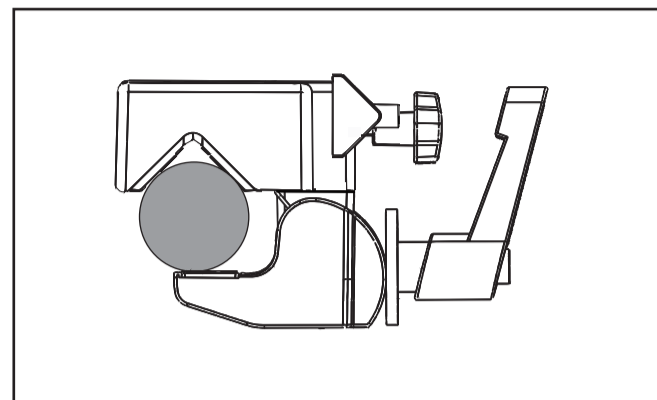
1. Put the attached plastic insert on the side into the clamp.



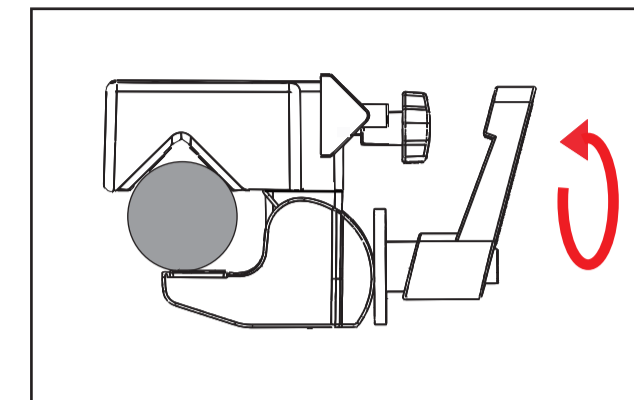
2. Clip on the clamp to the desk then twist the lever clockwise to tighten it securely.

SUPPORT@CTADIGITAL.COM

2. Installing Custom Flex Security Desk Clamp Mount to a Pole

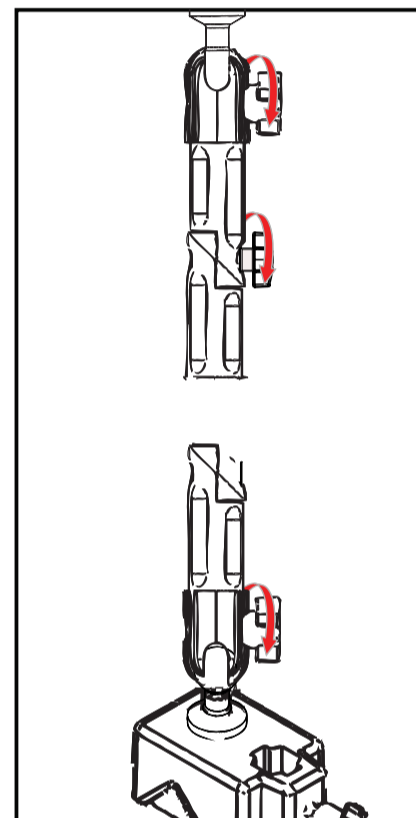


1. Clip on the clamp to the Pole.

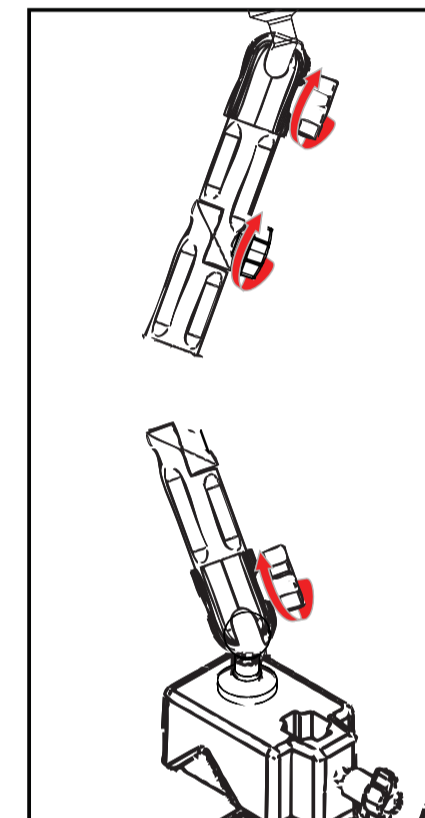


2. Twist the lever clockwise to tighten it securely.

3. Adjusting the Flex Arm

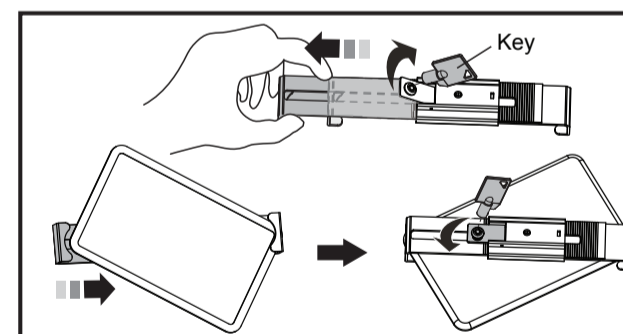


1. Twist the SCREW KNOB of the arms anticlockwise to release the connection.

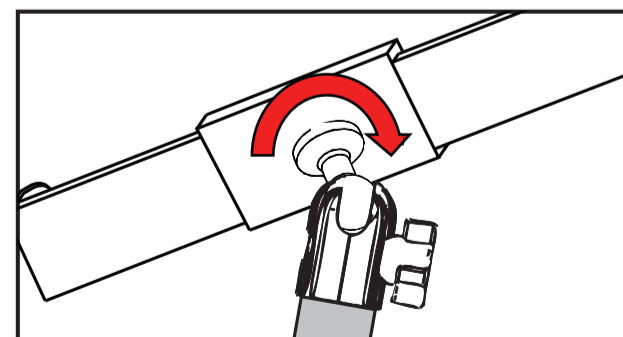


2. Adjust the arms to your favorite position and then tighten the SCREW KNOB clockwise.

4. Installing your Device and Adjusting the Tablet holder

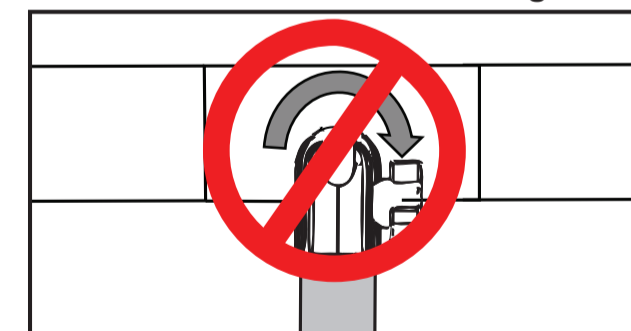


1. Insert key into lock at back of holder. Turn counterclockwise to unlock, then slide to open. Insert tablet against fixed end, then slide down to hold tight. Turn key clockwise to lock.



2. It also allows you to rotate the tablet holder to adjust the view angle according to your needs.

*Disclaimer - Ball Joint Warning



DO NOT attempt to adjust, tilt, or rotate any ball socket joints while it is fully tightened. Any such action will result in possible damage and loss of integrity of product functioning at full capacity. Manufacturer will not be responsible for any such actions by any person.