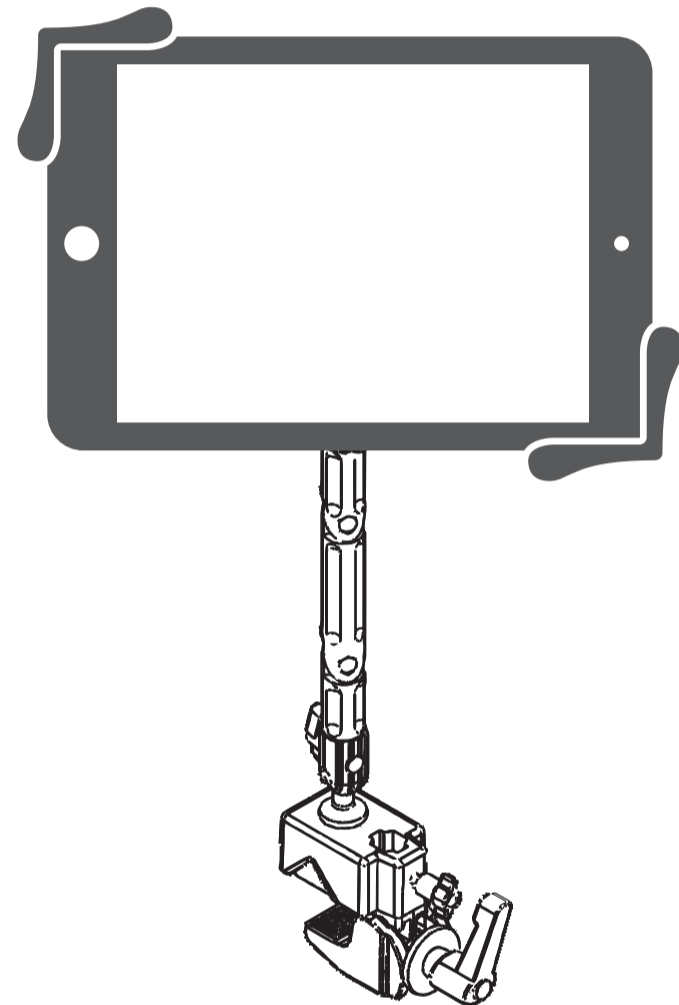




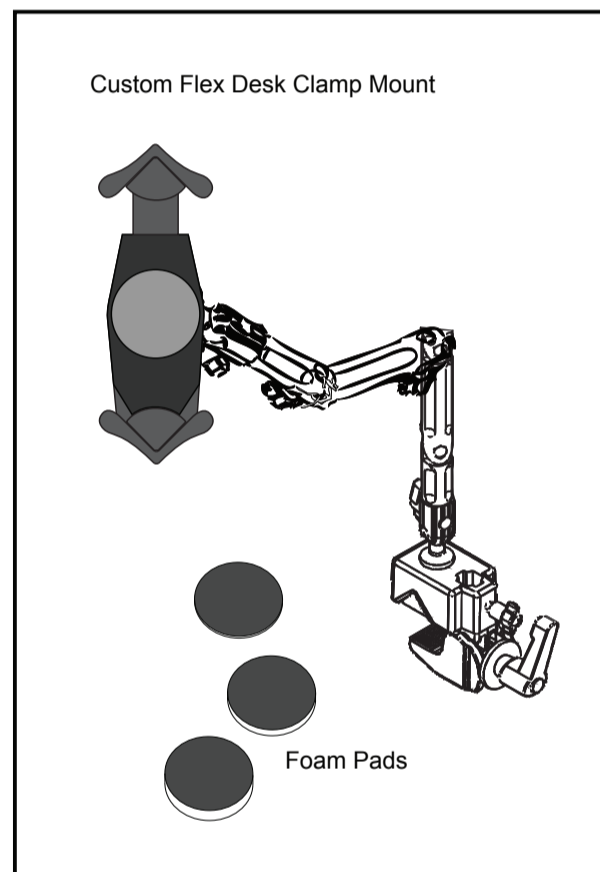
PAD-CFDCMS

Custom Flex Desk Clamp Mount for 7-14 Inch Tablets INSTRUCTION MANUAL

Thank you for choosing CTA Digital's product. We hope that you will enjoy using it. Please follow the guidelines and instructions as laid out in this instruction manual.



Package Contents:



Use this table to determine the appropriate foam pad to use with your tablet.
Note: sizes refer to total tablet size with or without a case.

Foam Pad Thickness	Tablet Thickness:
1mm	0.67-1.06in / 17-27mm
5mm	0.51-0.91in / 13-23mm
10mm	0.31-0.71in / 8-18mm

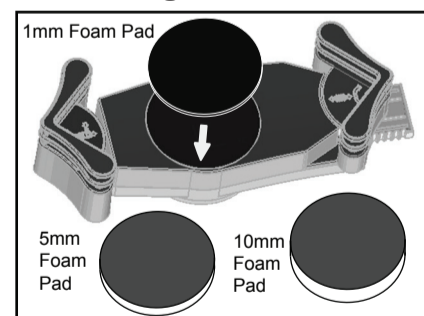
*Disclaimer - Ball Joint Warning



DO NOT attempt to adjust, tilt, or rotate any ball socket joints while it is fully tightened. Any such action will result in possible damage and loss of integrity of product functioning at full capacity. Manufacturer will not be responsible for any such actions by any person.

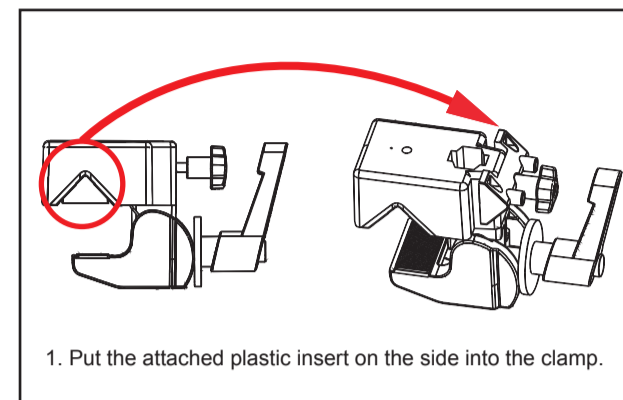
Instructions:

1. Attaching Foam Pad to Tablet Holder

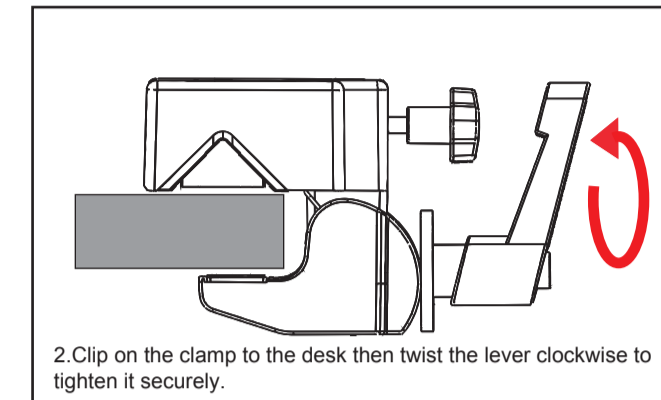


Select the appropriate foam pad according to the thickness of your tablet (or tablet in its case), then press adhesive side into center of the tablet holder.

2. Installing Custom Flex Security Desk Clamp Mount to the Desk

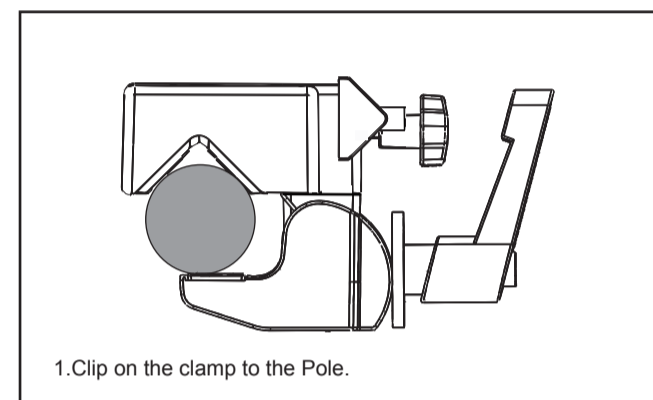


1. Put the attached plastic insert on the side into the clamp.

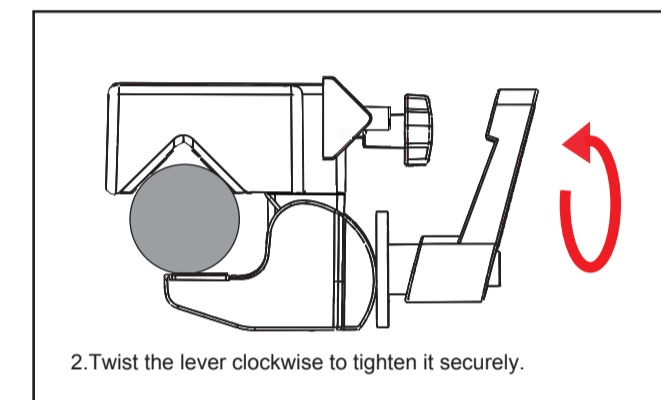


2. Clip on the clamp to the desk then twist the lever clockwise to tighten it securely.

3. Installing Custom Flex Security Desk Clamp Mount to a Pole

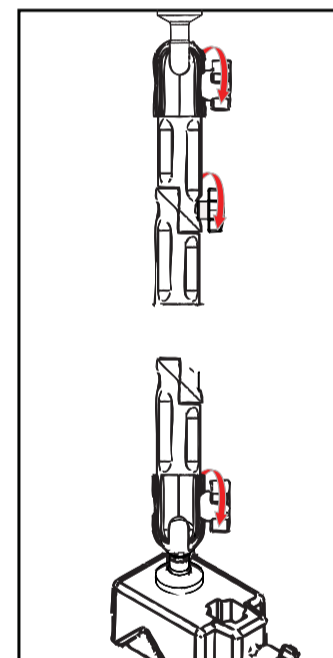


1. Clip on the clamp to the Pole.

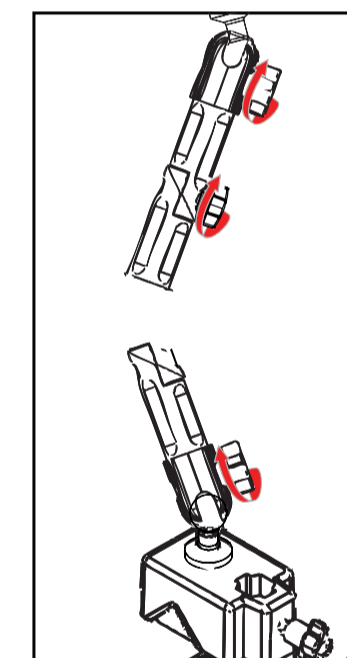


2. Twist the lever clockwise to tighten it securely.

4. Adjusting the Flex Arm

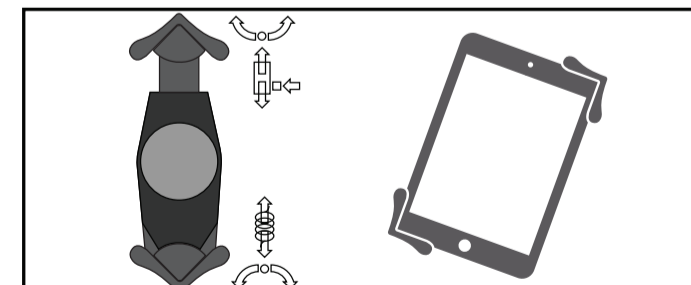


1. Twist the SCREW KNOB of the arms anticlockwise to release the connection.

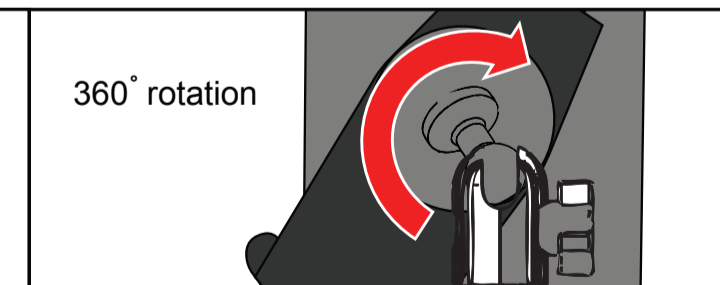


2. Adjust the arms to your favorite position and then tighten the SCREW KNOB clockwise.

5. Installing your Device and Adjusting the Tablet holder



1. Press quick release button on side of tablet holder to release the adjustable end. Insert tablet corner against the spring arm, then push adjustable arm down against opposite corner. Be sure it is as snug as possible.



2. Tablet holder rotates 360 degrees for custom viewing angles.



Caution

Please be sure to fasten all the screws were tightened securely while using the stand.
Not for use while driving.
Max loading :1.5KGS

SUPPORT@CTADIGITAL.COM