



**SKU:**

➤ PAD-CFCICCS

**HOUSING:**

➤ Steel Body,  
Rubber, Plastic

**WEIGHT:**

➤ 4.4 Lbs

**MOUNTING:**

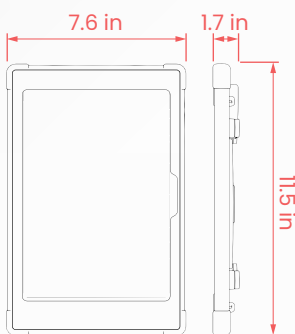
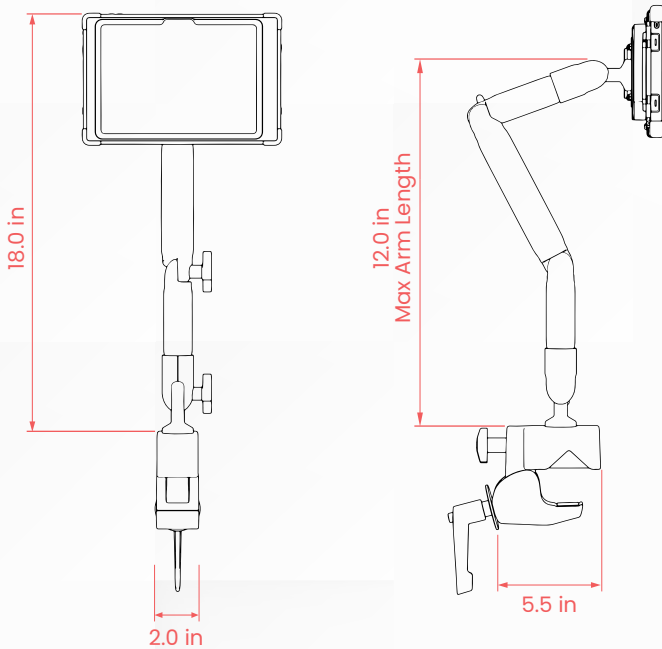
➤ Clamp Mount

# Custom Flex Clamp Mount w/ Wireless Inductive Charging Case

## PRODUCT DATA SHEET



**DIMENSIONS:**



**FEATURES:**

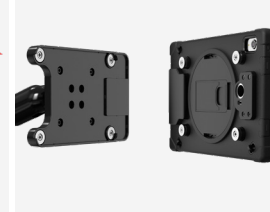
- Wireless charging function
- Heavy-duty clamp for tabletops or poles
- Two 180-degree rotating joints
- Two omnidirectional ball sockets at base and headpiece
- Allows portrait and landscape display
- Secure star screws lock tablet within case
- Rugged splash proof rubber construction
- Embedded magnets
- Full access to speakers and camera
- Includes VESA 75 x 75 and 100 x 100-millimeter mounting plates

**COMPATIBILITY:**

- iPad 10th Generation



PORTRAIT & LANDSCAPE



EMBEDDED MAGNETS



WIRELESS CHARGING