



PAD-AUTICC

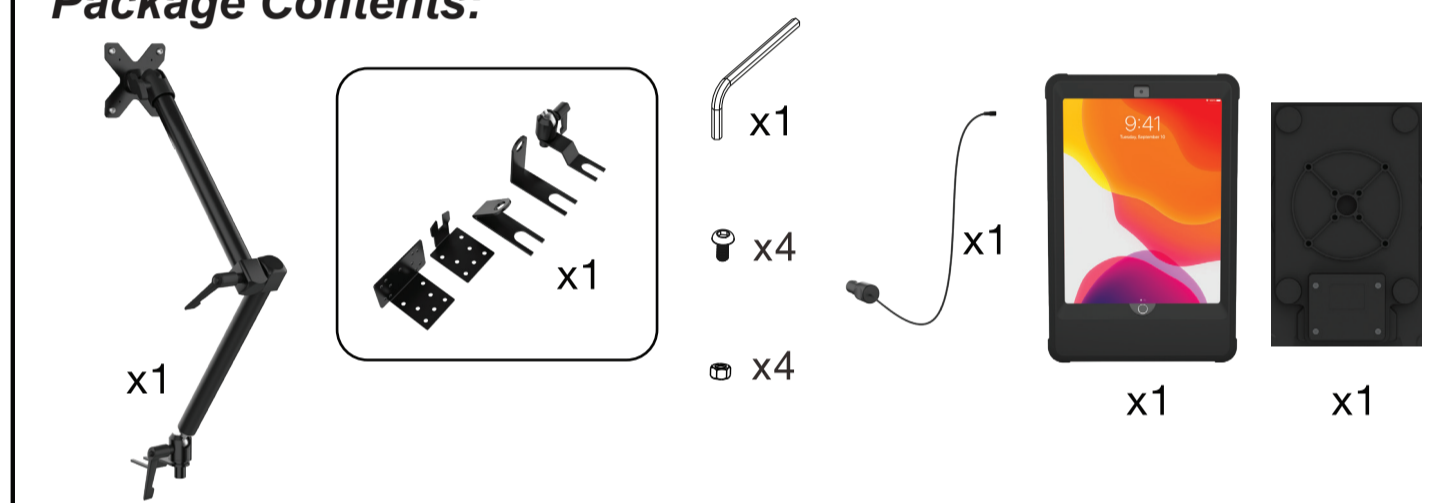
Vehicle Mount with Inductive Charging Case Kit

for iPad 8th Gen 10.2, iPad Pro 10.5 and iPad Air3

INSTRUCTION MANUAL

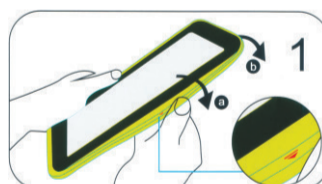
Thank you for choosing CTA Digital's product. We hope that you will enjoy using it. Please follow the guidelines and instructions as laid out in this instruction manual.

Package Contents:

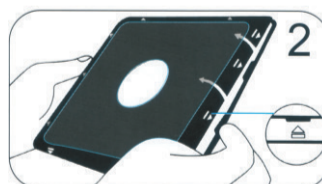


Instructions:

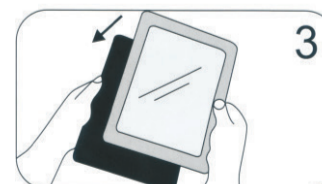
1. Located Tablet Case and Insert Device



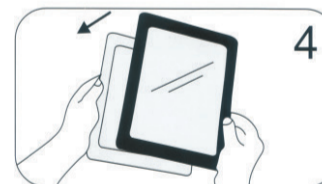
1. Peel the external silicone sleeve from the internal hard case.



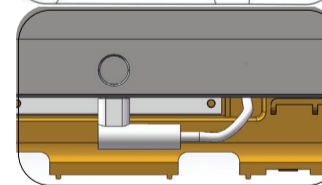
2. To open internal hard case, apply gentle pressure to the small clips (as shown to the left). The case will open with all (4) sides are unclipped.



3. Insert tablet into the back portion of the hard cover.

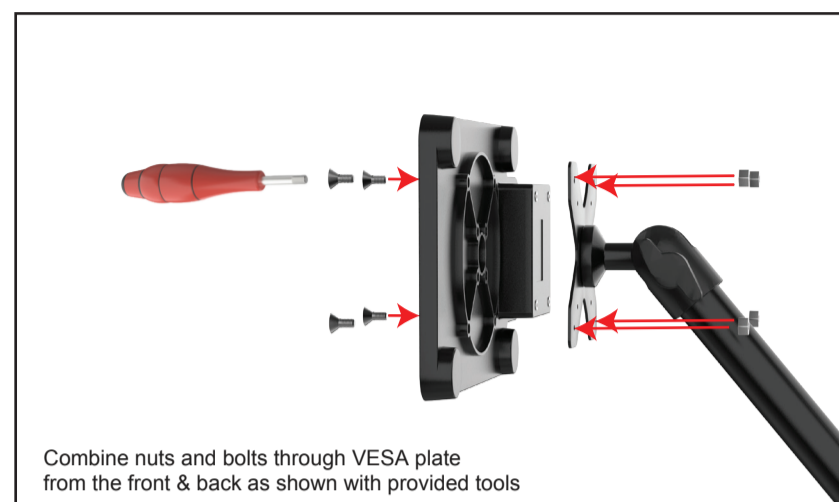


4. Once tablet is in the back portion of the case, look to the bottom and plug the charging cable into the power socket of the tablet. After, place the internal hard case front cover on the top of the case and clip all (4) sides shut around the case.



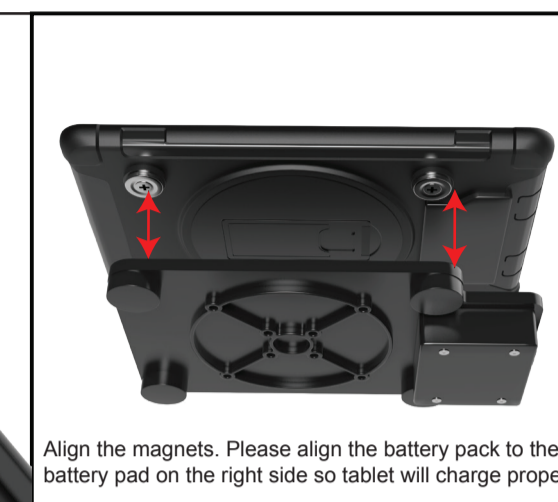
5. Place on the external silicone rubber sleeve over the hard case again.

2. Attach VESA Plate to Dock



Combine nuts and bolts through VESA plate from the front & back as shown with provided tools

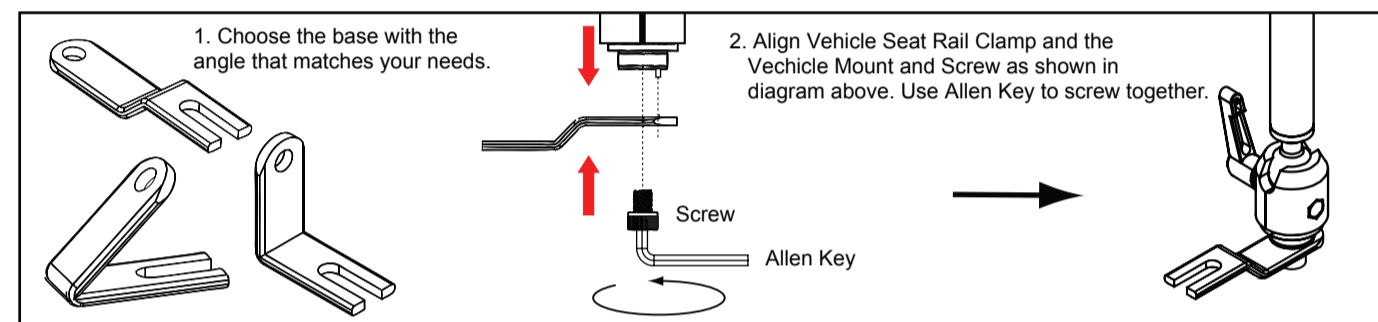
3. Place Tablet into Dock



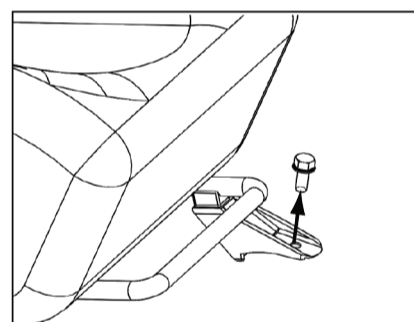
Align the magnets. Please align the battery pack to the battery pad on the right side so tablet will charge properly.

4. Installing Vehicle Seat Rail Clamp to the Vehicle Rail

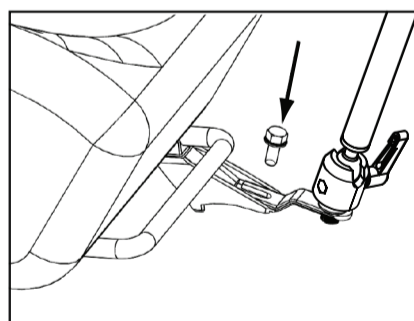
Because each vehicle is different, you will need to determine which included seat rail clamp is best for you.



5. Installing Vehicle Mount to your Vehicle Seat Rail

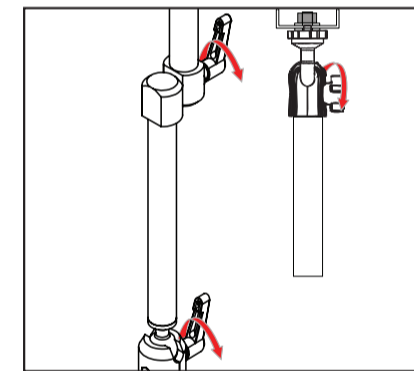


Loose the bolt of the seat rail.

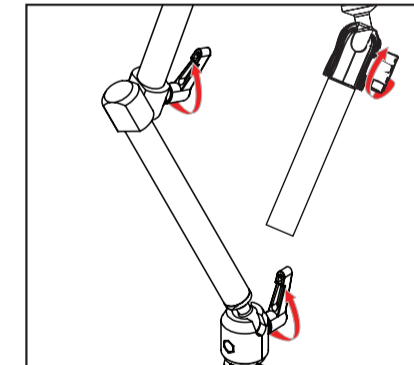


Install the assembled Vehicle Seat Rail Clamp and Base set on the seat rail and screw back the bolt.

6. Adjusting the Flex Arm Joint for Preferred Positions



Twist the SCREW KNOB (Both or Either) counter-clockwise to release the connection.



Adjust the arm to your preferred position and then tighten the SCREW KNOB clockwise.

7. Plug in Power Cord from Dock Port into Vehicle



8. Adjusting Ball Joints

CAUTION! PLEASE READ BEFORE USE!

*Disclaimer - Ball Joint Warning



DO NOT attempt to adjust, tilt, or rotate any ball socket joints while it is fully tightened. Any such action will result in possible damage and loss of integrity of product functioning at full capacity. Manufacturer will not be responsible for any such actions by any person.