

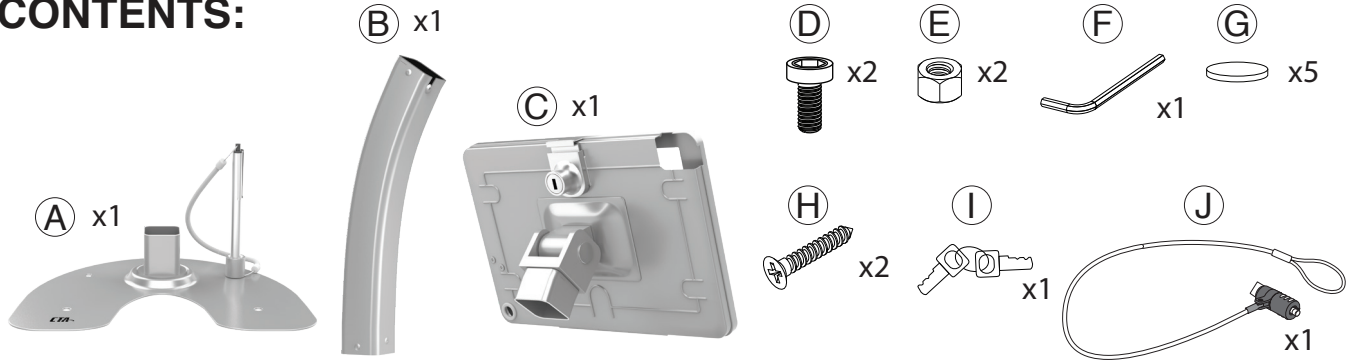


Dual Security Kiosk Stand with Locking Case and Cable

PAD-ASKM6

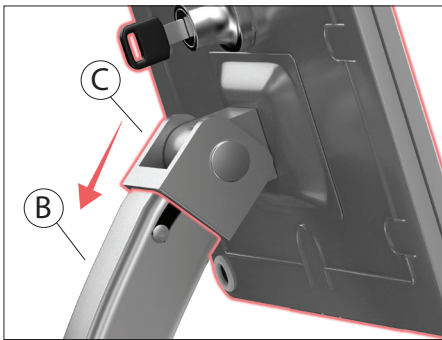
INSTRUCTION - MANUAL

CONTENTS:

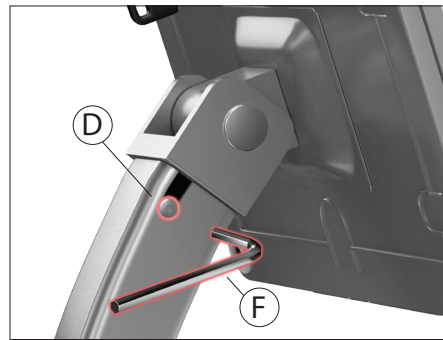


INSTALLATION:

1. Attaching Holder to Body

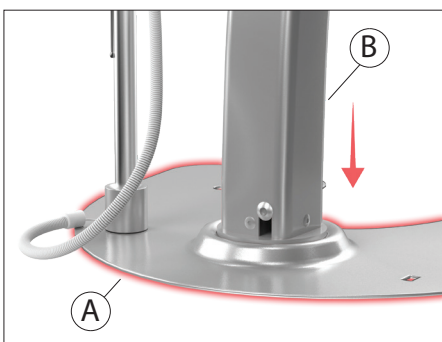


1A. Insert holder joint (C) into body joint (B) and align allen key hole.

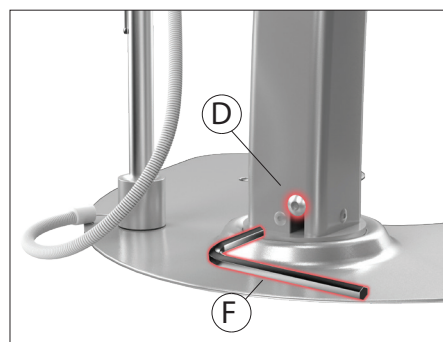


1B. Screw the allen screw (D) into hole and securely tighten with provided allen tool (F).

2. Attaching Body to Base

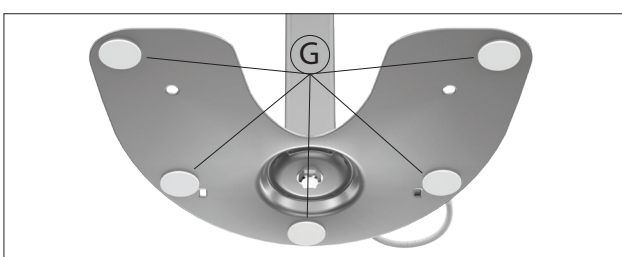


2A. Insert base joint (A) into body joint (B) and align allen key hole.



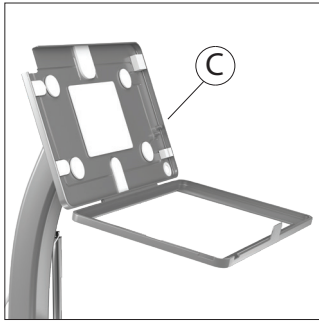
2B. Insert the allen screw (D) into hole and securely tighten with provided allen tool (F).

3. (Optional) Attaching Base Pads to Base



3A. Stick adhesive pads (G) to bottom of stand base (A) for scratch protection and temporary mounting.

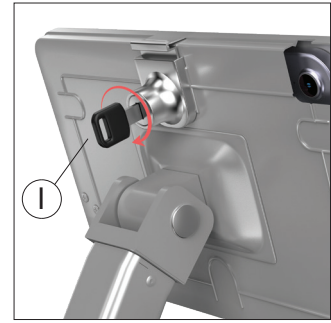
4. Inserting Tablet into Enclosure



4A. Open the case (C) with the stand on a flat surface.

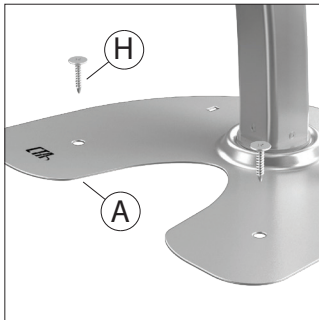


4B. Place your tablet device inside the tray (C).
 **Tablet only shown for illustration purposes, not included.



4C. Close the case door and turn the key (I) clockwise to lock.

5. (Optional) Bolting to Countertop



5A. Align the two screws (H) with the holes in the base (A).



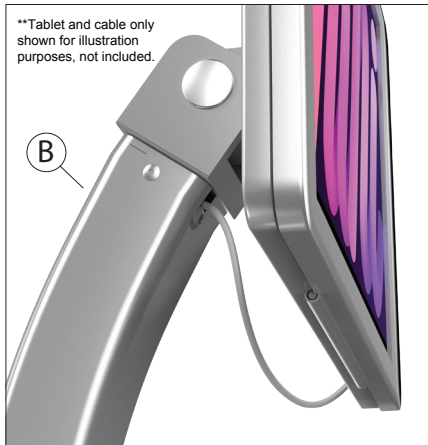
5B. Screw in screws until securely attached to counter.



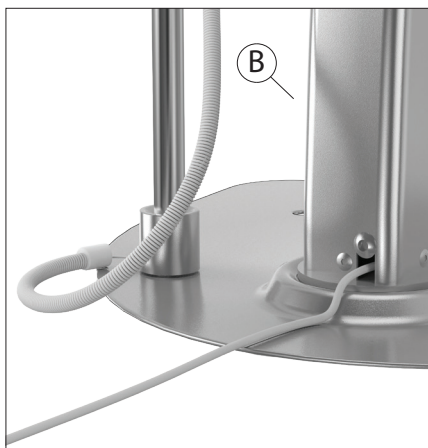
**Tablet and cable only shown for illustration purposes, not included.

4D. Internal cable routing.

6. Cable Management

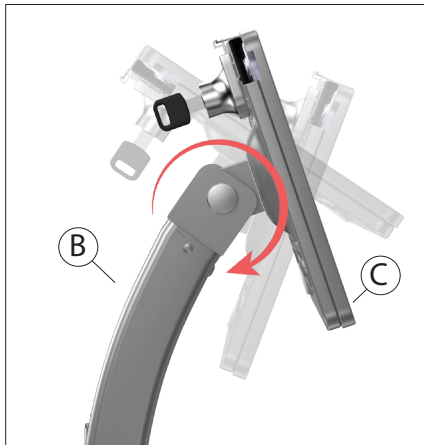


6A. Fish the cable wire through the top end of the kiosk body (B).
 **Tablet and cable only shown for illustration purposes, not included.



6B. Fish the cable wire out the other end as shown above.

7. Adjustability

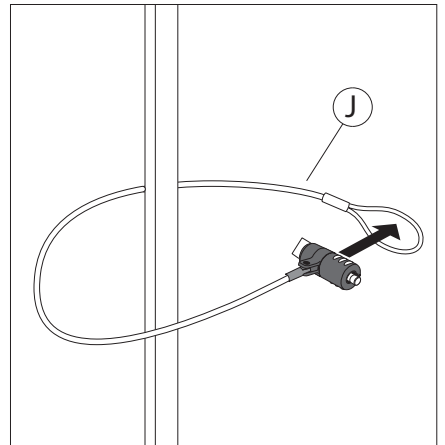


7A. Adjust the joint rotation to the preferred angle.

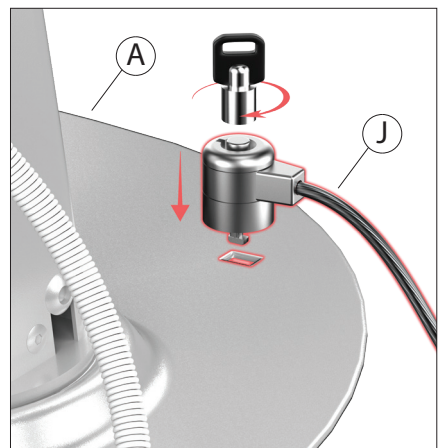


7B. Adjust the orientation to the preferred view.
 **Tablet only shown for illustration purposes, not included.

8. Security - Cable Lock



8A. Anchor the cable loop of your security cable lock (J) around an immovable object.



8B. Secure and lock the other end to the kiosk (A) into the cable lock slot hole as shown.