

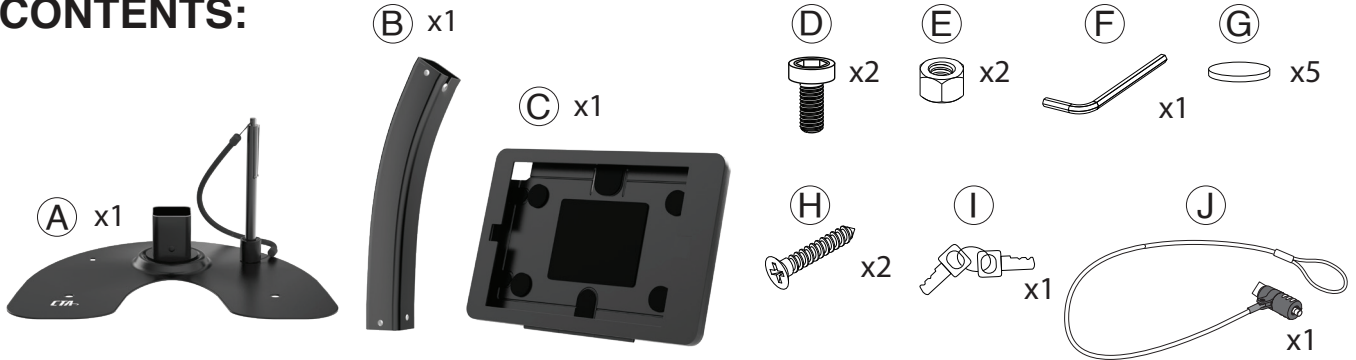


Dual Security Kiosk Stand with Locking Case and Cable

PAD-ASKB10

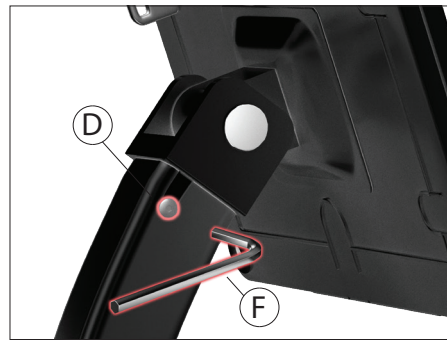
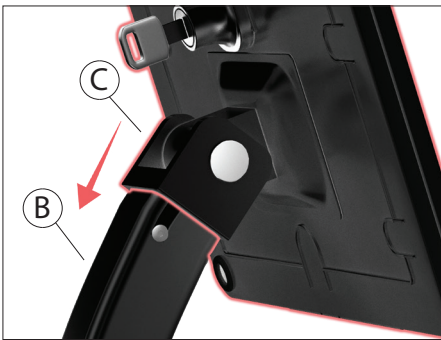
INSTRUCTION - MANUAL

CONTENTS:

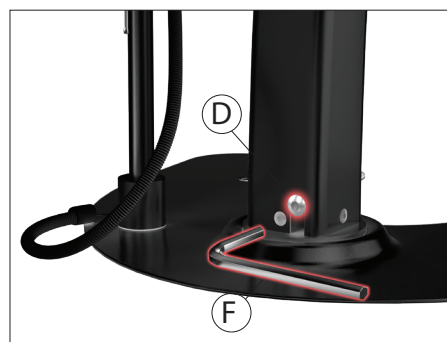
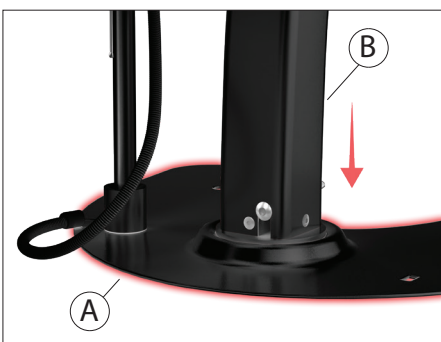


INSTALLATION:

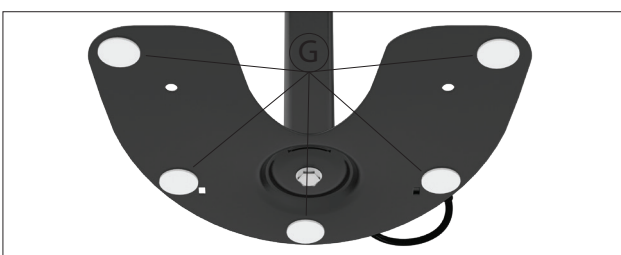
1. Attaching Holder to Body



2. Attaching Body to Base



3. (Optional) Attaching Base Pads to Base



4. Inserting Tablet into Enclosure

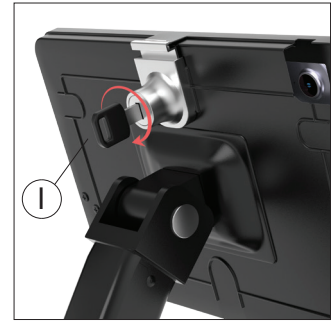


4A. Open the case (C) with the stand on a flat surface.



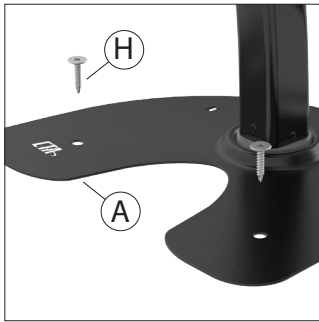
**Tablet only shown for illustration purposes, not included.

4B. Place your tablet device inside the tray (C).



4C. Close the case door and turn the key (I) clockwise to lock.

5. (Optional) Bolting to Countertop



5A. Align the two screws (H) with the holes in the base (A).



5B. Screw in screws until securely attached to counter.



**Tablet and cable only shown for illustration purposes, not included.

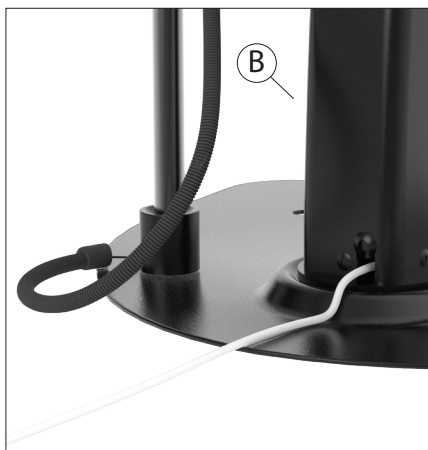
4D. Internal cable routing.

6. Cable Management



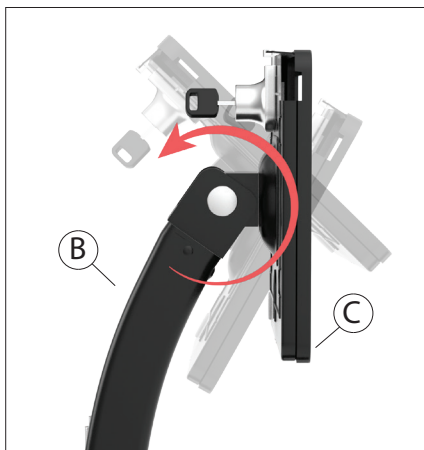
**Tablet and cable only shown for illustration purposes, not included.

6A. Fish the cable wire through the top end of the kiosk body (B).



6B. Fish the cable wire out the other end as shown above.

7. Adjustability



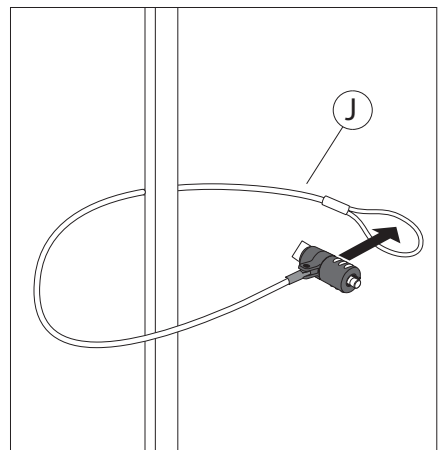
7A. Adjust the joint rotation to the preferred angle.



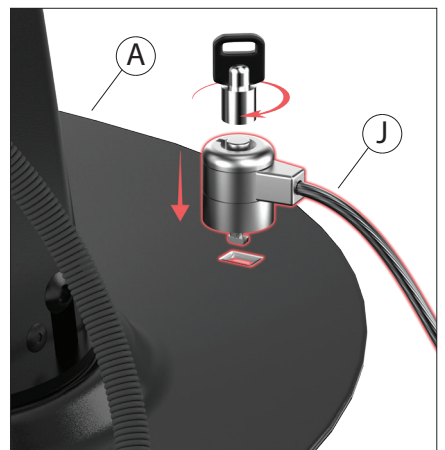
**Tablet only shown for illustration purposes, not included.

7B. Adjust the orientation to the preferred view.

8. Security - Cable Lock



8A. Anchor the cable loop of your security cable lock (J) around an immovable object.



8B. Secure and lock the other end to the kiosk (A) into the cable lock slot hole as shown.