

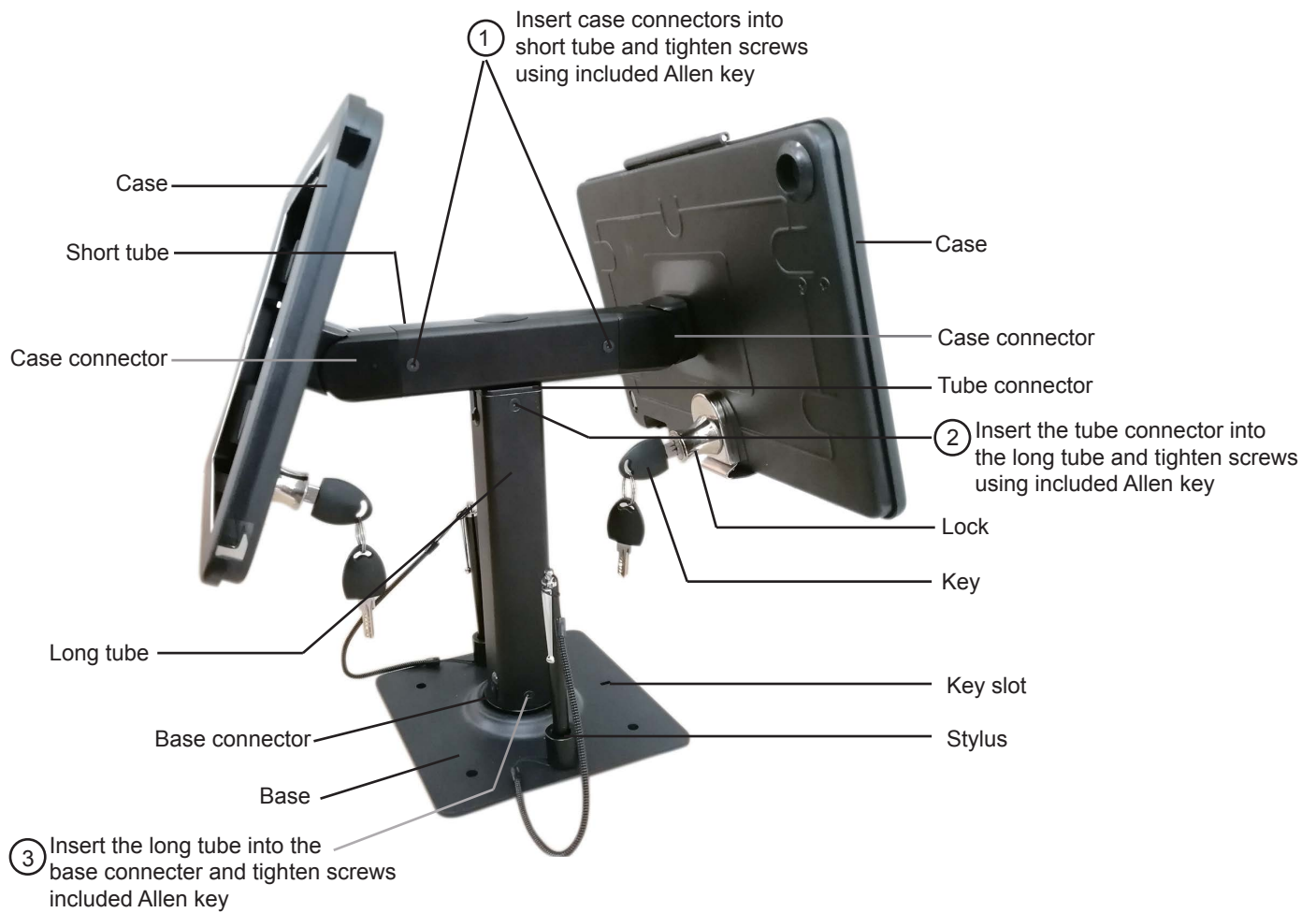


Product Name: Security Kiosk Dual Stand for iPad (Gen. 5-6), iPad Pro 9.7 and iPad Air

PAD-ASKB2



Package Contents



(2) Bolts with nut
(2) Screws

Using the stand

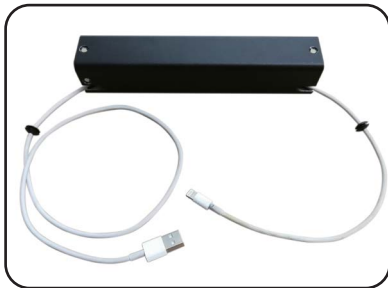
- 1) Open the case with the stand on a flat surface.
- 2) Place your iPad in the tray.
- 3) Close the case door and turn the key clockwise to lock.



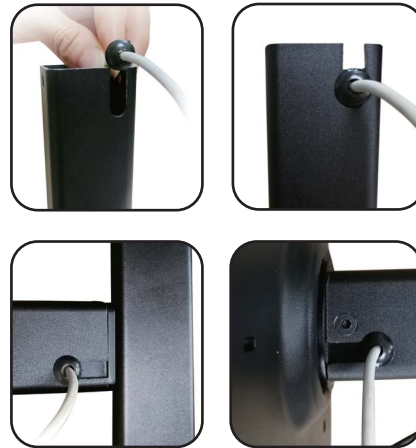
Cable management system



Slide protectors over the cable.



Pull cable through tube.



Align protectors so opening is perpendicular to slot openings on tube.



Using anti-theft cable:

1. Attach cable end to any permanent fixture using loop.
2. With key inside, insert lock end to slot on stand base or back of case.
3. Turn key and remove from lock to attach cable to stand.



Use interior cable wrapping posts to manage cable slack.

Metal insert to cover the Home button

