

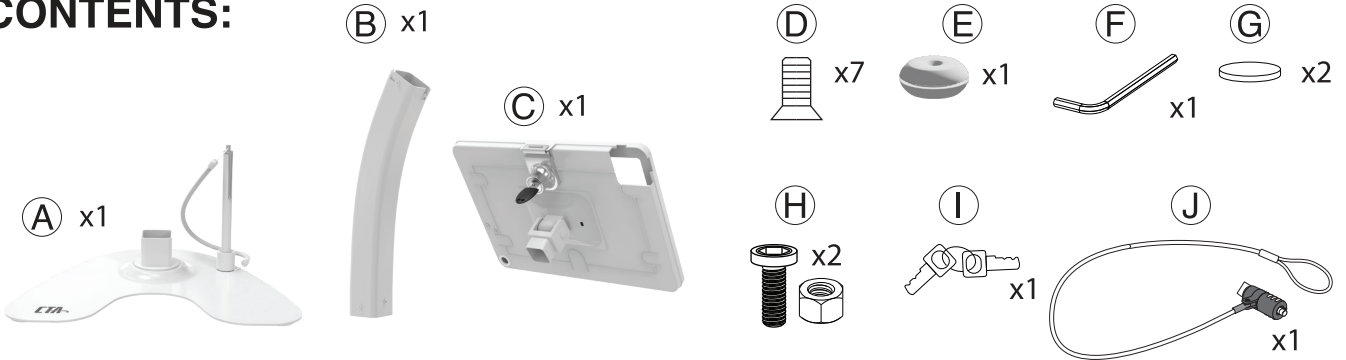


Dual Security Kiosk Stand with Locking Case and Cable

PAD-ASK109W

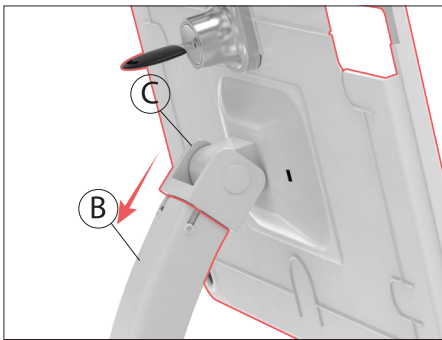
INSTALLATION - MANUAL

CONTENTS:

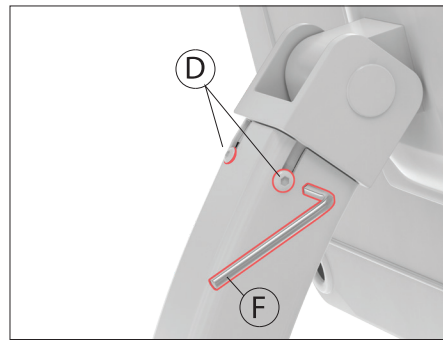


INSTALLATION:

1. Attaching Holder to Body

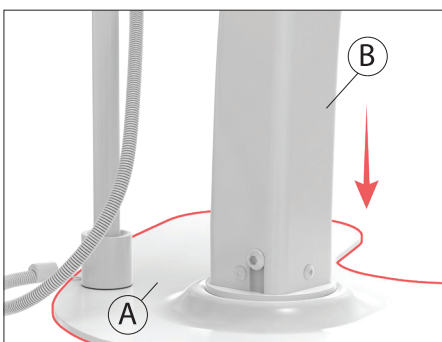


1A. Insert holder joint (C) into body joint (B) and align allen key hole.

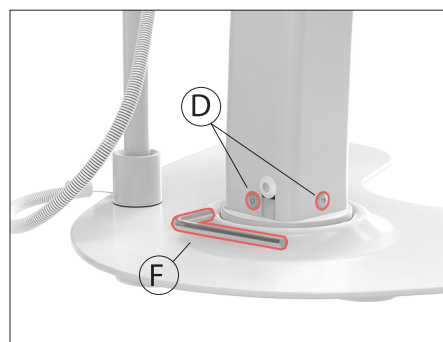


1B. Rotate the allen screw (D) into hole and securely tighten with provided allen tool (F).

2. Attaching Body to Base



2A. Insert base joint (A) into body joint (B) and align allen key hole.



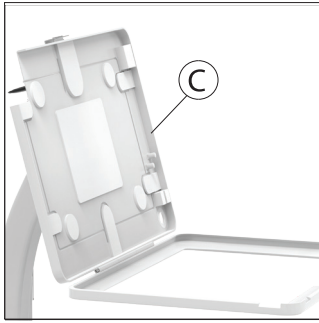
2B. Insert the allen screw (D) into hole and securely tighten with provided allen tool (F).

3. (Optional) Attaching Base Pads to Base



3A. Stick adhesive pads (G) to bottom of stand base (A) for scratch protection and temporary mounting.

4. Inserting Tablet into Enclosure

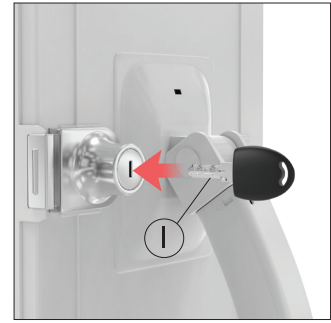


4A. Open the case (C) with the stand on a flat surface.



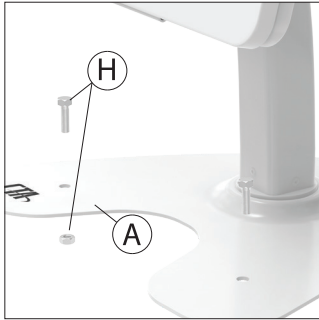
**Tablet only shown for illustration purposes, not included.

4B. Place your tablet device inside the tray (C).



4C. Close the case door and turn the key (I) clockwise to lock.

5. (Optional) Bolting to Countertop



5A. Align the two bolts and nuts (H) with the holes in the base (A).



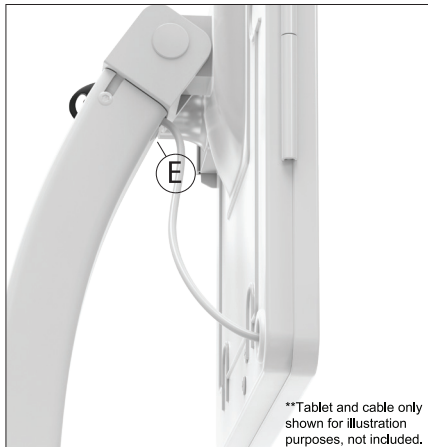
5B. Rotate in bolts until securely attached to counter.



**Tablet and cable only shown for illustration purposes, not included.

4D. Internal cable routing.

6. Cable Management



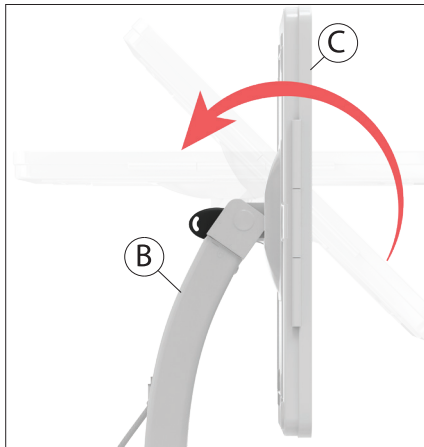
**Tablet and cable only shown for illustration purposes, not included.

6A. Slide protectors over the cable, then fish the wire through the top end as shown.



6B. Slide protectors over the cable, then fish the wire out the other end as shown.

7. Adjustability



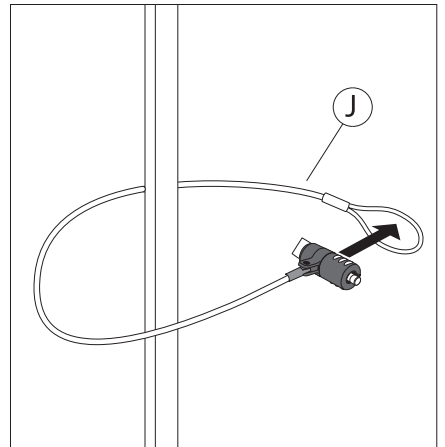
7A. Adjust the joint rotation to the preferred angle.



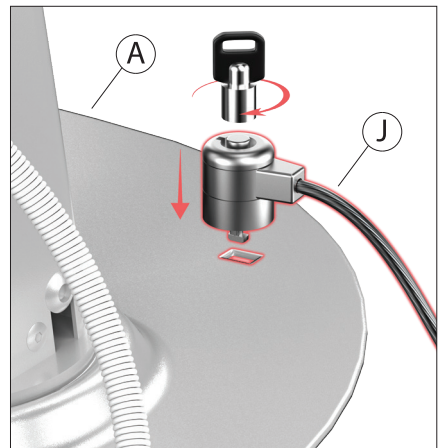
**Tablet only shown for illustration purposes, not included.

7B. Adjust the orientation to the preferred view.

8. Security - Cable Lock



8A. Anchor the cable loop of your security cable lock (J) around an immovable object.



8B. Secure and lock the other end to the kiosk (A) into the cable lock slot hole as shown.