



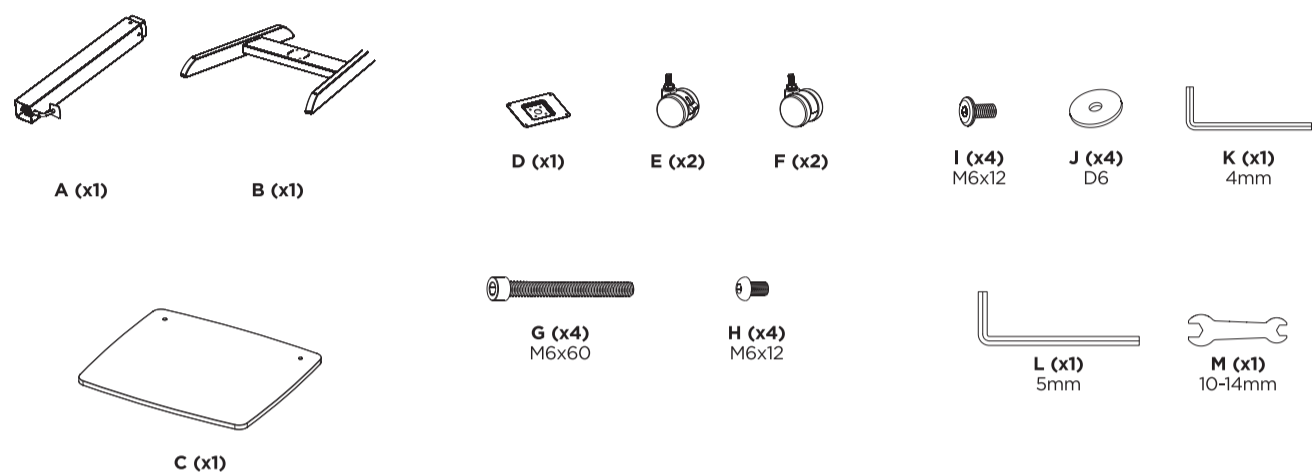
Mobile Sit-Stand Workstation with 2 Mounting Holes for Mounts

PAD-ARLTD

INSTRUCTION MANUAL

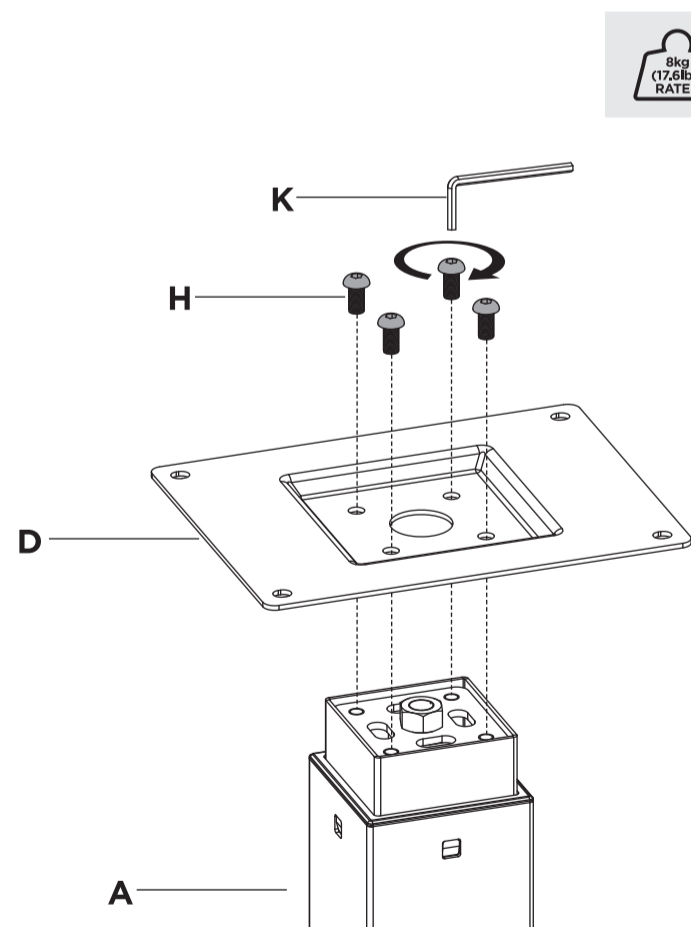
Thank you for choosing CTA Digital's product. We hope that you will enjoy using it. Please follow the guidelines and instructions as laid out in this instruction manual.

Package Contents:

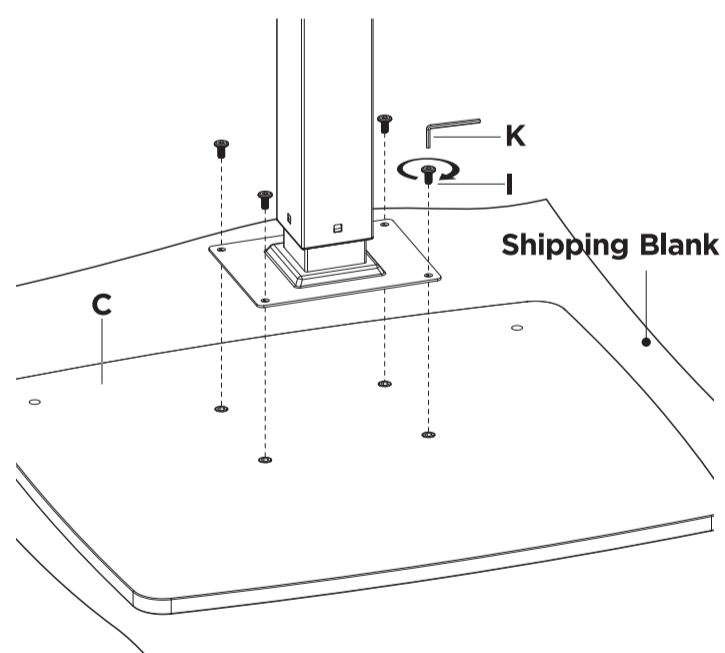


Instructions:

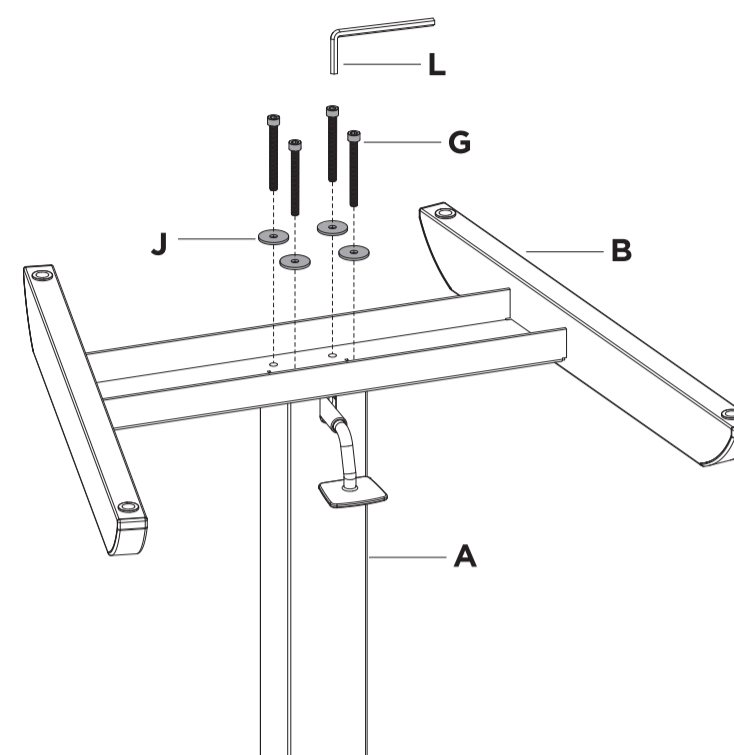
1 MOUNTING PLATE TO WORKSTATION MAIN POLE



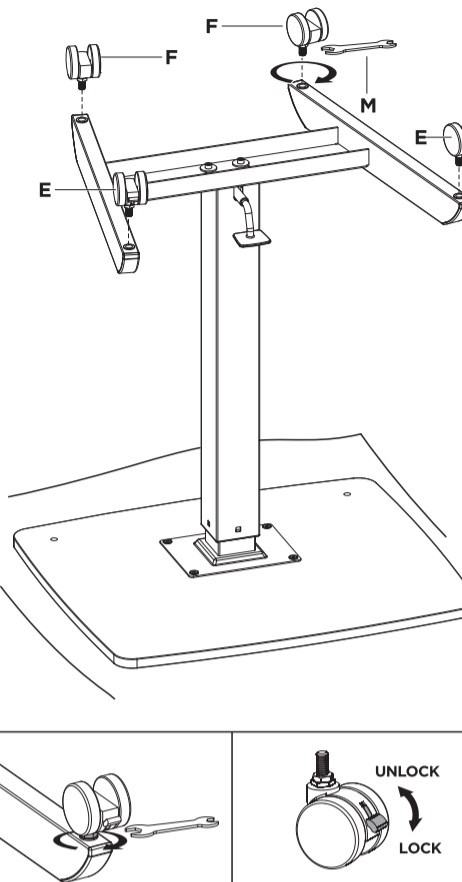
2 MOUNTING POLE+PLATE TO UNDERSIDE OF TABLE



3 MOUNTING BASE WITH MAIN BODY POLE

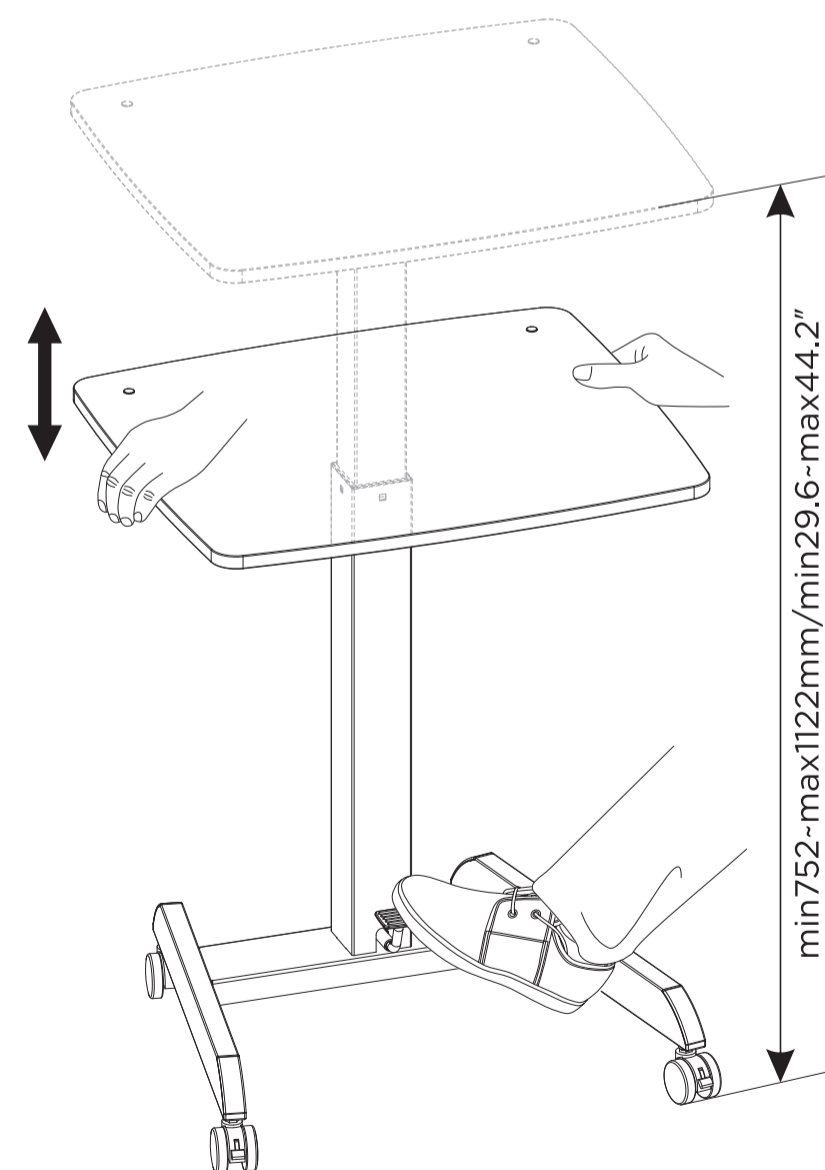


4 ATTACHING WHEELS TO BASE



5 ADJUSTING WORKSTATION HEIGHT

Press down on pedal and manual pull or push workstation top either up or down to adjust desired height.



Caution
Please be sure to fasten all the screws securely before using. Failure to do so may compromise integrity.

SUPPORT@CTADIGITAL.COM