



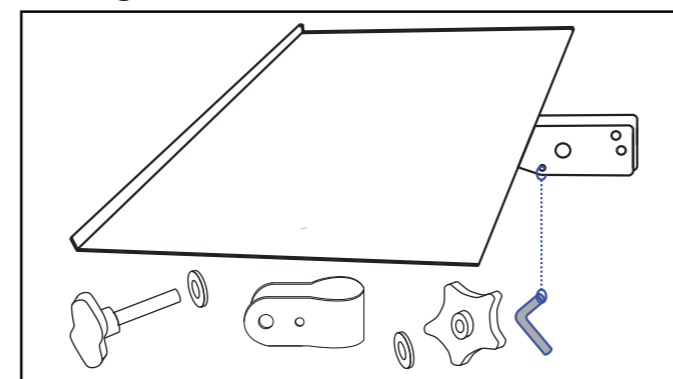
PAD-AKSA

Adjustable Keyboard Stand Add-On for Tablet Floor Stands

INSTRUCTION MANUAL

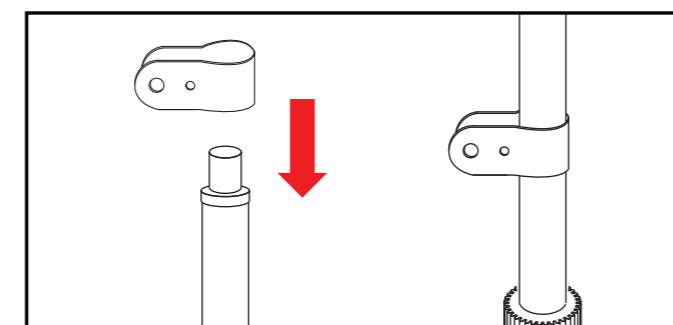
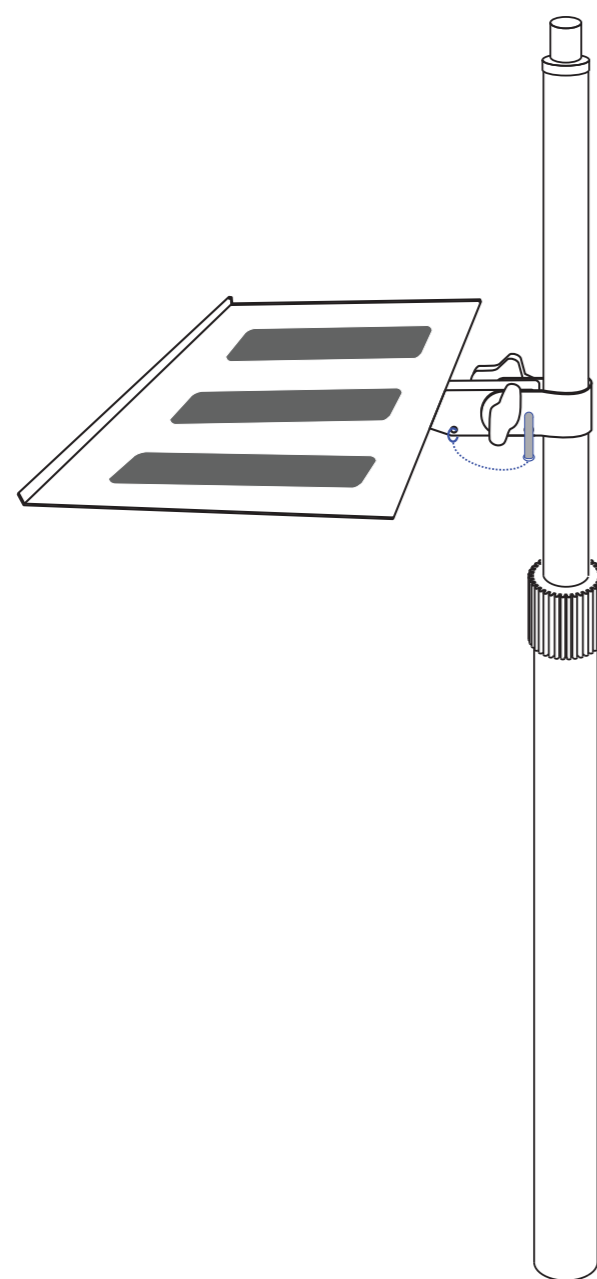
Thank you for choosing CTA Digital's product. We hope that you will enjoy using it. Please follow the guidelines and instructions as laid out in this instruction manual.

Package Contents:

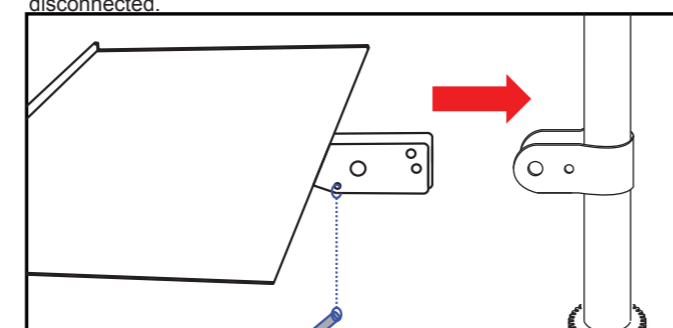


Instructions:

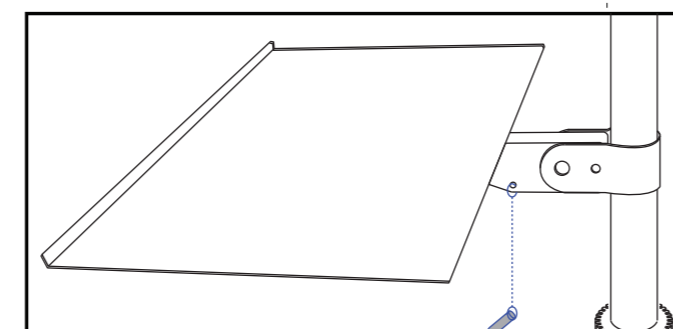
1. Installing the Keyboard Stand to the Floor Stands



1. Slip metal ring over stand pole. Note: gooseneck must be disconnected.

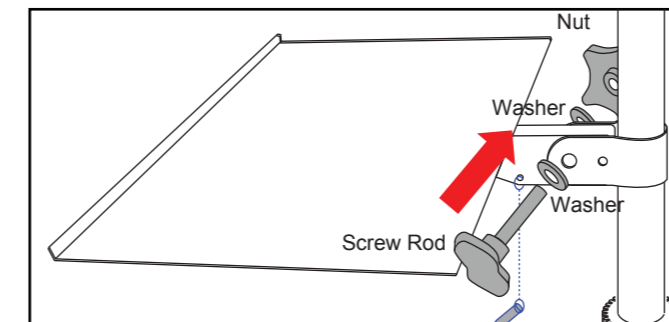


2. Insert keyboard tray.

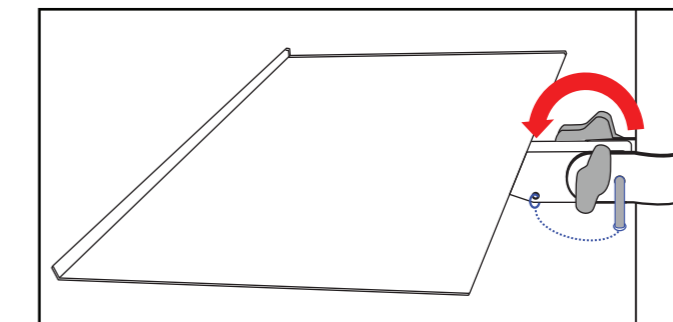


3. Align the holes on keyboard tray and metal ring.

SUPPORT@CTADIGITAL.COM

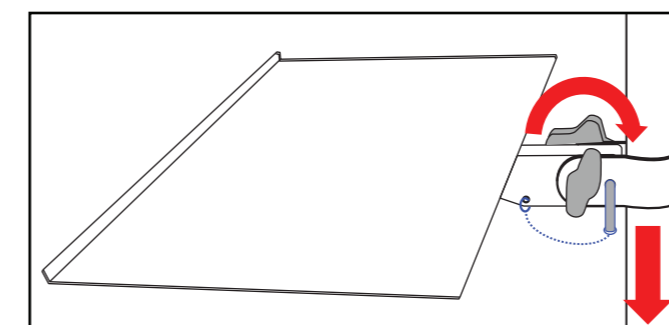


4. Slip washer over screw rod, then pass screw rod through metal ring. Attach a washer on the other side then connect nut.

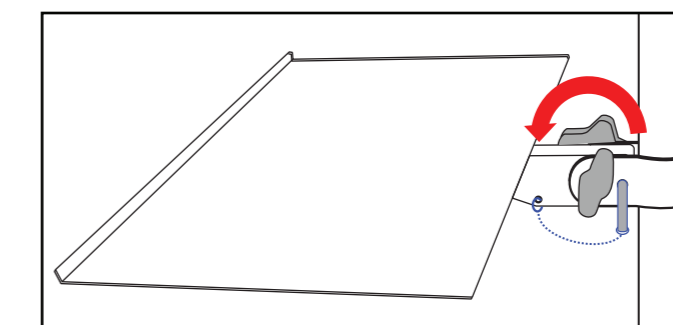


5. Hold screw rod with one hand and use other hand to tighten nut. Pass L rod through hole to keep tray in place.

2. Adjusting the Keyboard Stand Height

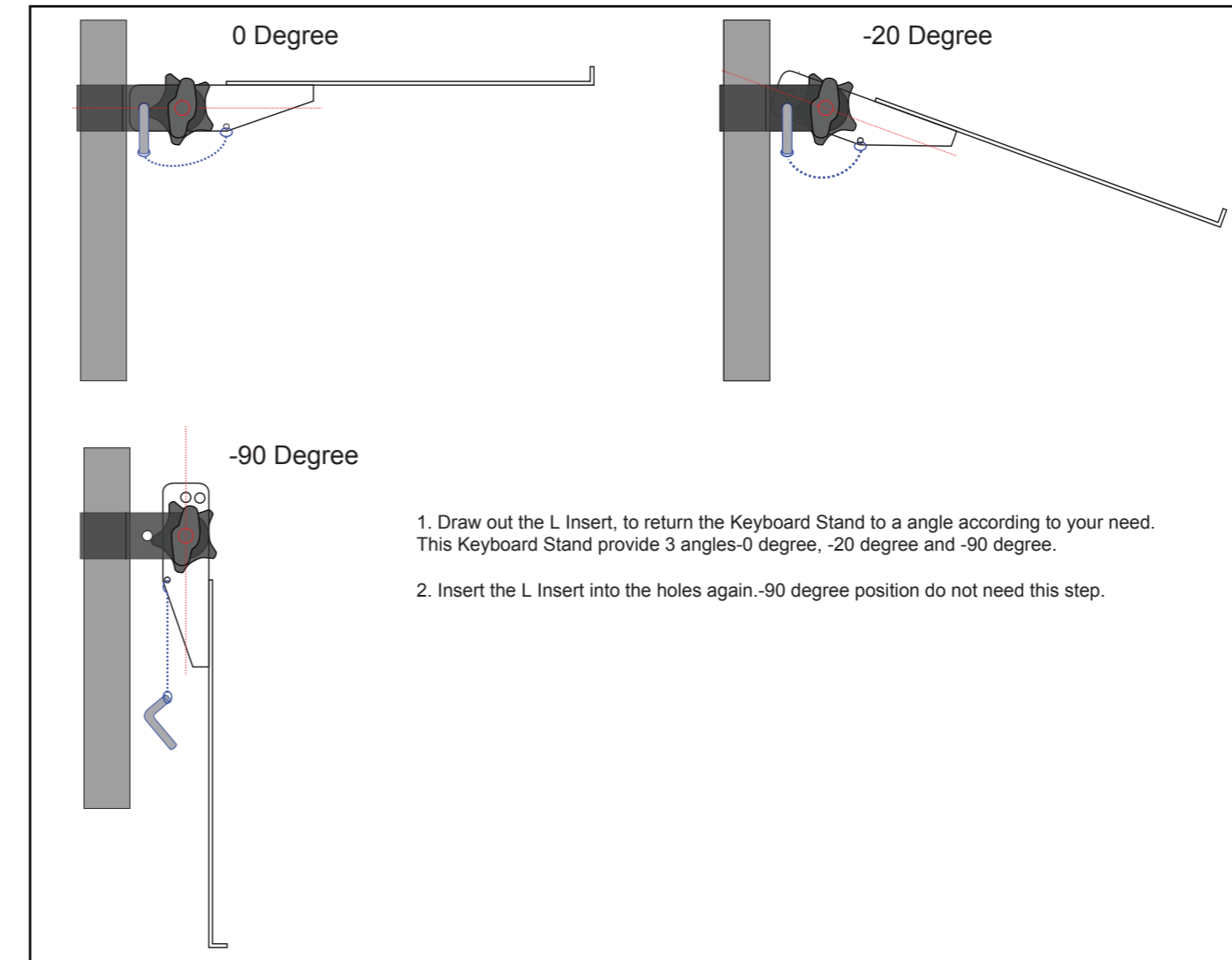


1. Release the Screw Rod and Nut, then adjust the height of Ring Piece and Keyboard Stand.



5. When you reach desired height, hold the Screw Rod to tighten.

3. Adjusting the Keyboard Stand Angle



1. Draw out the L Insert, to return the Keyboard Stand to a angle according to your need. This Keyboard Stand provide 3 angles-0 degree, -20 degree and -90 degree.
2. Insert the L Insert into the holes again.-90 degree position do not need this step.

SUPPORT@CTADIGITAL.COM