



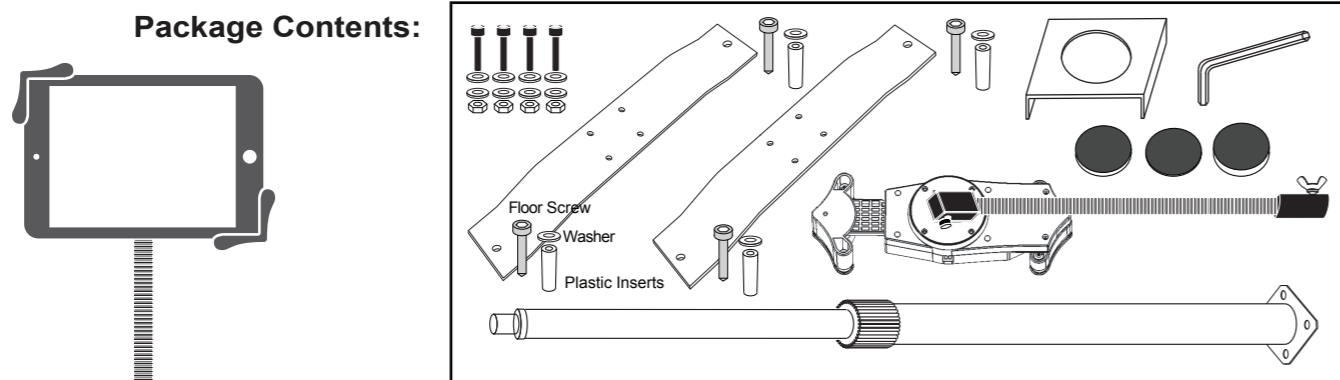
# PAD-AFS

## Height-Adjustable Gooseneck Floor Stand for 7-13 Inch Tablets

### INSTRUCTION MANUAL

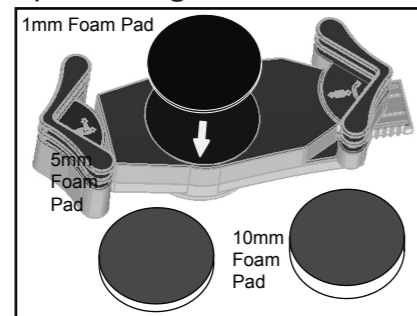
Thank you for choosing CTA Digital's product. We hope that you will enjoy using it. Please follow the guidelines and instructions as laid out in this instruction manual.

#### Package Contents:



#### Instructions:

##### 1).Attaching Foam Pad to Tablet Holder



Select the appropriate foam pad according to the thickness of your tablet (or tablet in its case), then press adhesive side into center of the tablet holder.

Use this table to determine the appropriate foam pad to use with your tablet.

**Note:** sizes refer to total tablet size with or without a case.

Foam Pad Thickness	Tablet Thickness
1mm	0.67-1.06in / 17-27mm
5mm	0.51-0.91in / 13-23mm
10mm	0.31-0.71in / 8-18mm

##### 2. Base Assembly and Connecting the Metal Cover:

###### METAL CONNECTION

###### Pole Assembly and Pole Nut Cross Base Sections (2)

HEIGHT ADJUSTMENT KNOB

POLE

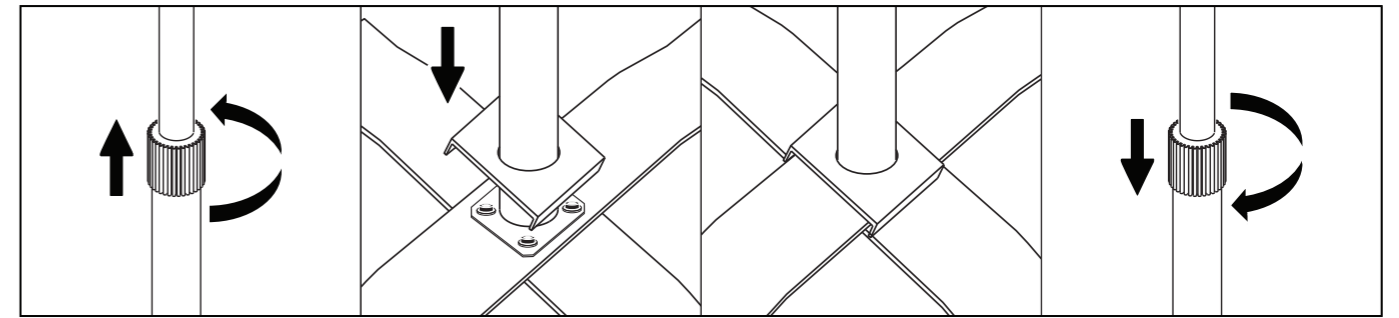
Allen Key

CONNECTION SCREW BOLT, WASHERS AND NUT

METAL CROSS BASE X 2

- 1). Place the metal base pieces with the higher piece on top of the cross base. Align the holes at the bottom of the pole with the holes on the cross base.
- 2). Insert a screw bolt with a washer into each of 4 holes. Place another washer on the underside of each screw bolts.
- 3). Grip the nut on the underside with one hand, and use the other to tighten each screw with Allen key. Repeat to tighten all four screw bolts.

SUPPORT@CTADIGITAL.COM

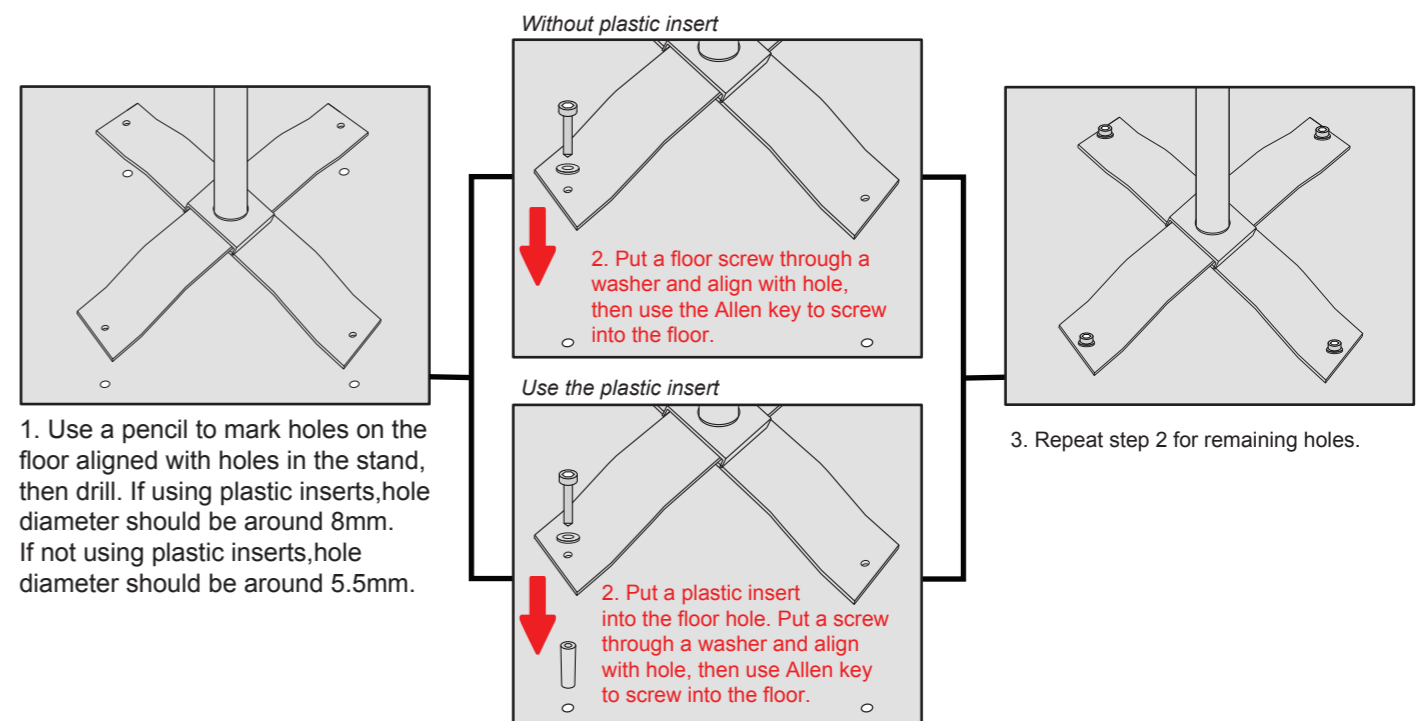


4. Rotate the grip counter clockwise to loosen completely and remove from top of pole.

5. Place the square metal cover over the top of the pole and slide down to stand base.

6. Place grip back over stand pole and tighten.

##### 3. Connecting the Stand to the Floor (Optional)

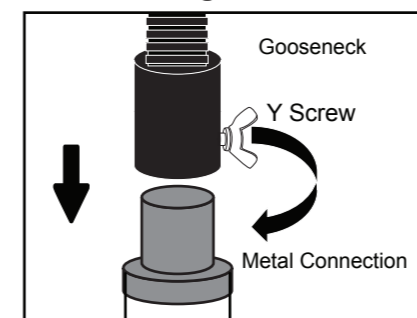


1. Use a pencil to mark holes on the floor aligned with holes in the stand, then drill. If using plastic inserts, hole diameter should be around 8mm. If not using plastic inserts, hole diameter should be around 5.5mm.

2. Put a plastic insert into the floor hole. Put a screw through a washer and align with hole, then use Allen key to screw into the floor.

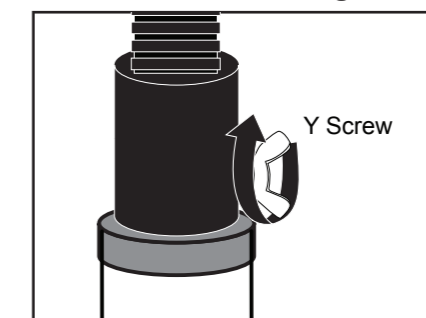
3. Repeat step 2 for remaining holes.

##### 4. Connecting the Tablet Holder to the Pole and Installing Your Device

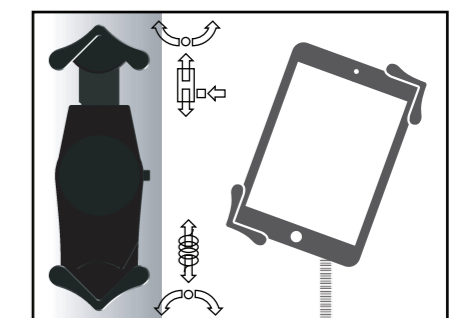


Screw the gooseneck onto the metal connection of the pole by turning clockwise.

**Note:** if Y screw is already in, unscrew before attaching gooseneck.

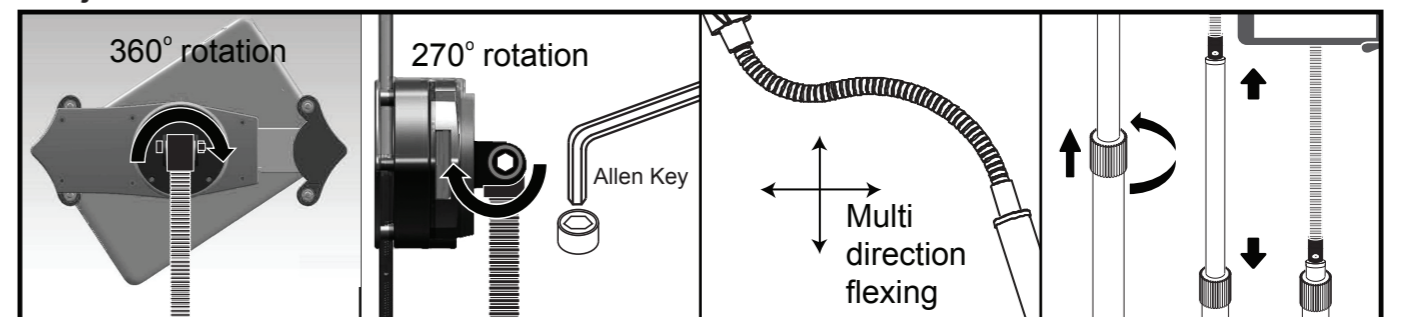


Turn the Y screw clockwise to tighten the connection.



Press button on side of tablet holder to slide open. Insert your tablet against spring arm, then slide other end back down.

##### 5.Adjustment:



Use the Allen key to tighten and loosen the gooseneck connection screw, adjusting ease of rotation in the tablet holder.

Gooseneck flexes by hand. To adjust the height of the pole, turn plastic cover counter-clockwise and raise or lower the pole to desired height. Turn clockwise again to lock it in place.