

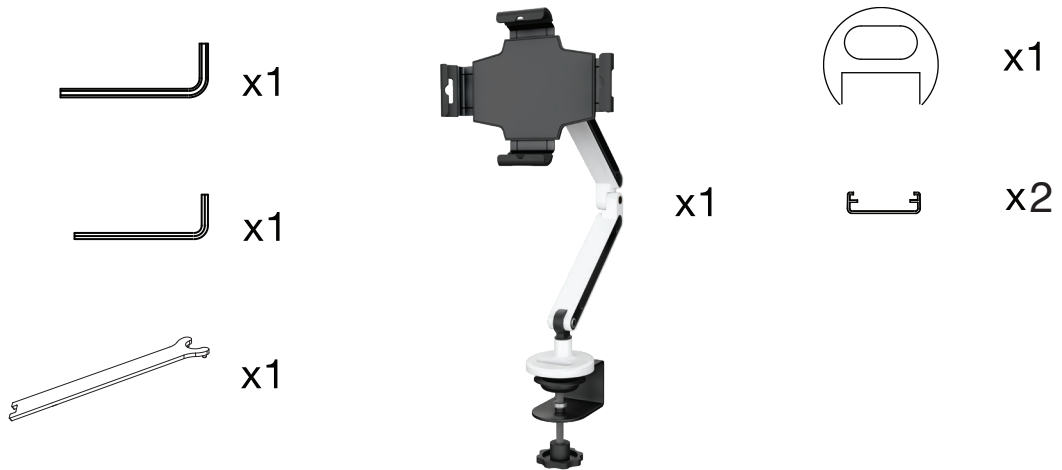


Articulating Desk Mount Arm with PAD-VTHC Tablet Holder

INSTRUCTION MANUAL

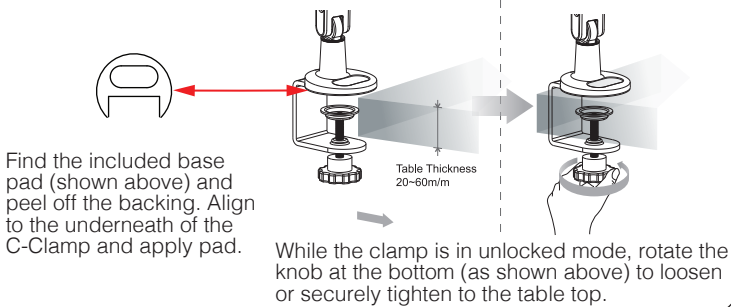
PAD-ADMA

CONTENTS:

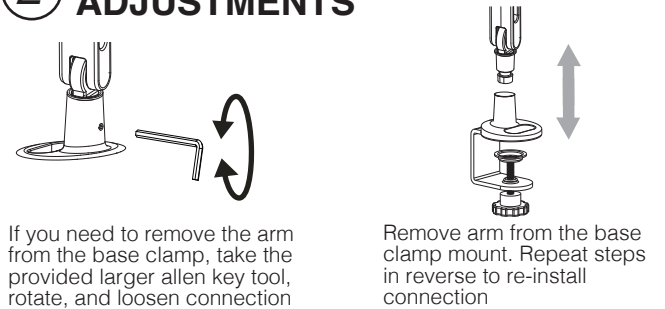


INSTRUCTIONS:

1 BASE MOUNT INSTALLATION

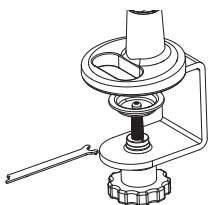


2 ARM TO BASE CLAMP ADJUSTMENTS

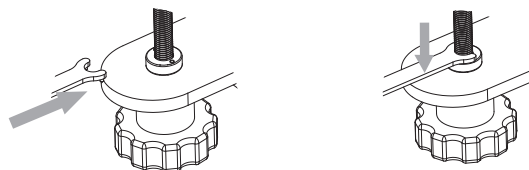


3 BASE CLAMP SECURITY SETUP

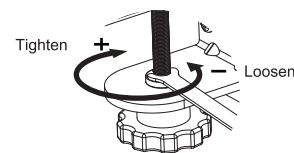
ALIGNING SECURITY TOOL WITH SECURITY COMPONENT



2A. When the C-Clamp is securely attached to a surface, use the provided security tool, attach to security component, and rotate clockwise to put the C-Clamp in an 'locked' state. To loosen, rotate counterclockwise with the security tool.



2B. Align the (2) dimples on the underneath of the security tool into the two holes on the security component on the clamp as shown above



2C. Rotate counter-clockwise to loosen and place the clamp in an 'unlocked' state. Continue rotating until there is enough slack to rotate the knob. Turn it clockwise to tighten and place the clamp in a 'locked' state.



Articulating Desk Mount Arm with PAD-VTHC Tablet Holder

INSTRUCTION MANUAL

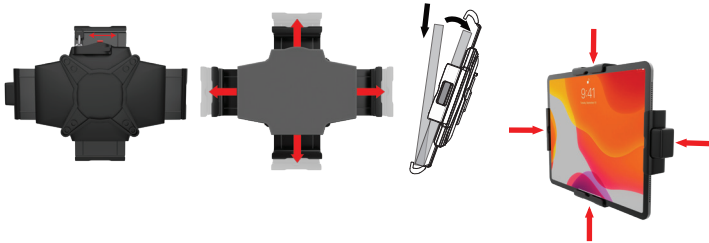
PAD-ADMA

4 TABLET INSTALLATION

Normal Type Installation

Caution: Claws can only be adjust in "unlock" situation do not try to adjust the claws in "lock" situation.

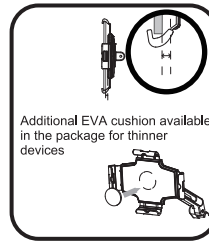
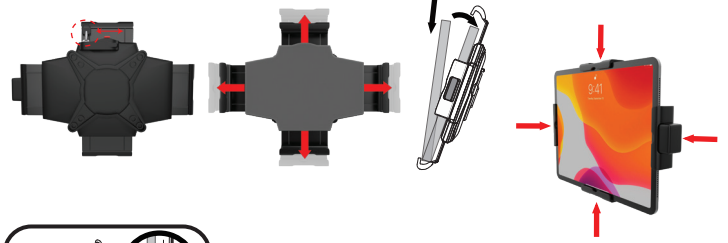
- A** Unlock by moving the red lever over to unlock position
- B** Extend each claw by pulling outward
- C** Place device on to the loosen claw.
- D** Lock by pressing claw arms back in around device, then moving lever into lock position.



Security Type Installation

Caution: Claws can only be adjust in "unlock" situation do not try to adjust the claws in "lock" situation.

- A** Unlock by making sure key is inserted and then moving the red lever over to unlock
- B** Extend each claw by pulling outward
- C** Place device on to the loosen claw.
- D** Lock by pressing claw arms back in around device, then moving lever into lock position, then removing the key

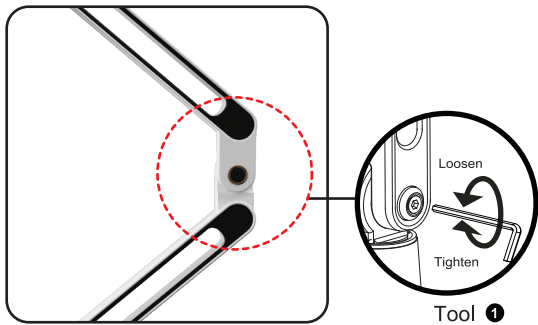


Additional EVA cushion available in the package for thinner devices

5 JOINT ADJUSTMENTS

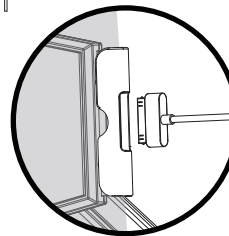
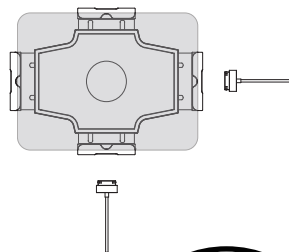
Caution

When all hinges and joints are tightened, do not attempt to forcibly flex the angles or positioning without loosening. Any attempt to do so will possibly have an effect on product integrity and CTA and manufacturer will not be responsible for any mishandling.



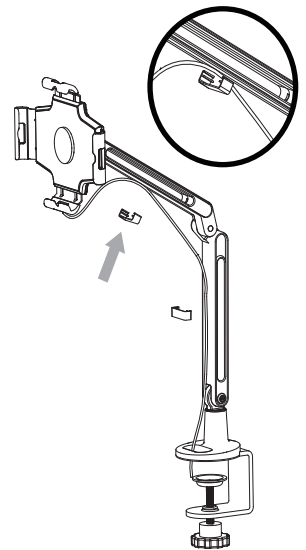
Each hinge of the product can be adjusted easily with the provided smaller allen key tool. Loosen to adjust and securely tighten after preferred position is set.

6 CHARGING SETUP



When charging your device, find the port, then route your cable through the opening on the ends of the holder arms.

7 CABLE ROUTING



When routing cables for the from device to the power source, use provided clips as shown to keep the cables organized and tight to the arms to avoid any slack.