



Rotating Sleek Desk Mount with Security Holder for Otterbox uniVERSE and Defender Series Cases

PRODUCT DATA SHEET

SKU:

OTT-RSDMB



MOUNTING:

Desk Mount

HOUSING:

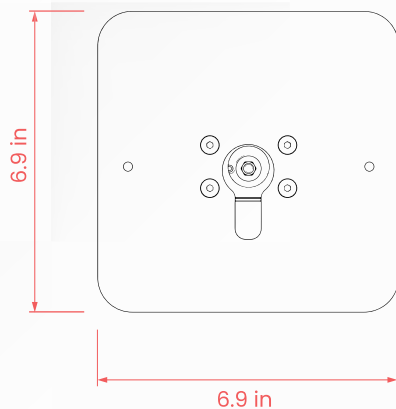
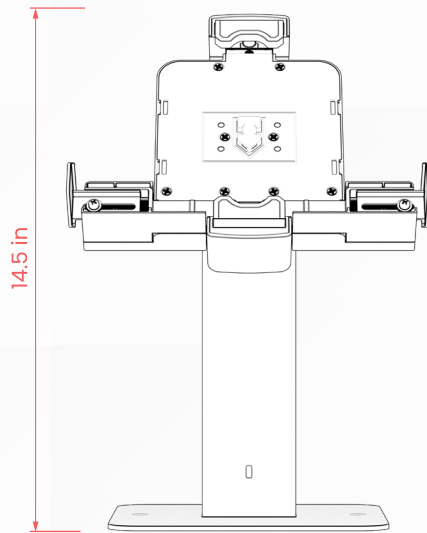
Steel Body

WEIGHT:

5.1 Lbs



DIMENSIONS:



FEATURES:

- Anti-theft locking security holder
- Embedded magnets for guided connection
- Adjustable holder arms to fit a wide range of tablets
- Heavy-duty steel kiosk mount
- Built-in k-slot on holder sides for anchor options
- Allows portrait and landscape displays
- 180-degree rotation and tiltable Otterbox proprietary attachment
- VESA Compatible 75x75 and 100x100 mm mounting plate
- Metal base features scratch- and slip-resistant rubber grips
- Clean cable routing through hollow center post

COMPATIBILITY:

- Compatible with all Otterbox uniVERSE and Defender cases (case not included)



ANTI-THEFT SECURITY HOLDER



TILT ADJUSTABLE



CABLE MANAGEMENT