

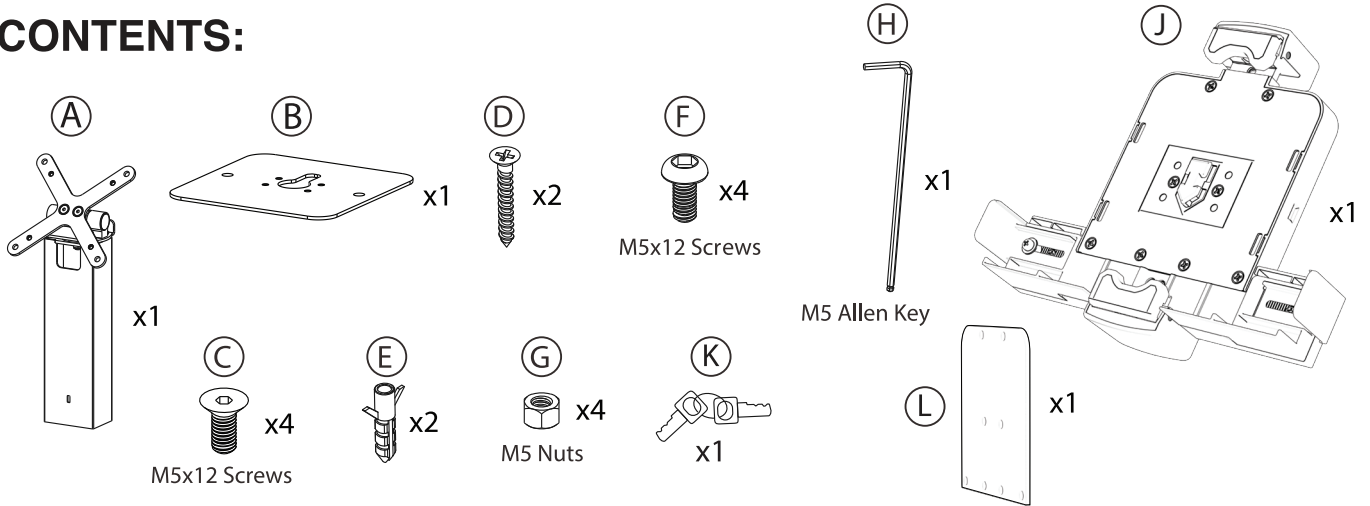


Rotating Sleek Desk Mount with Security Holder for Otterbox uniVERSE and Defender Series Cases

OTT-RSDMB

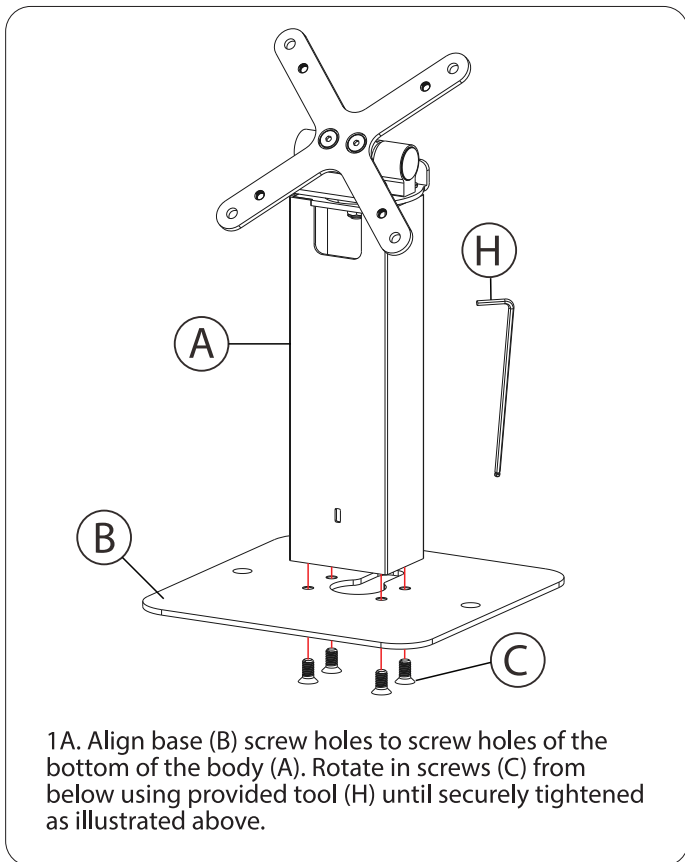
INSTRUCTION - MANUAL

CONTENTS:

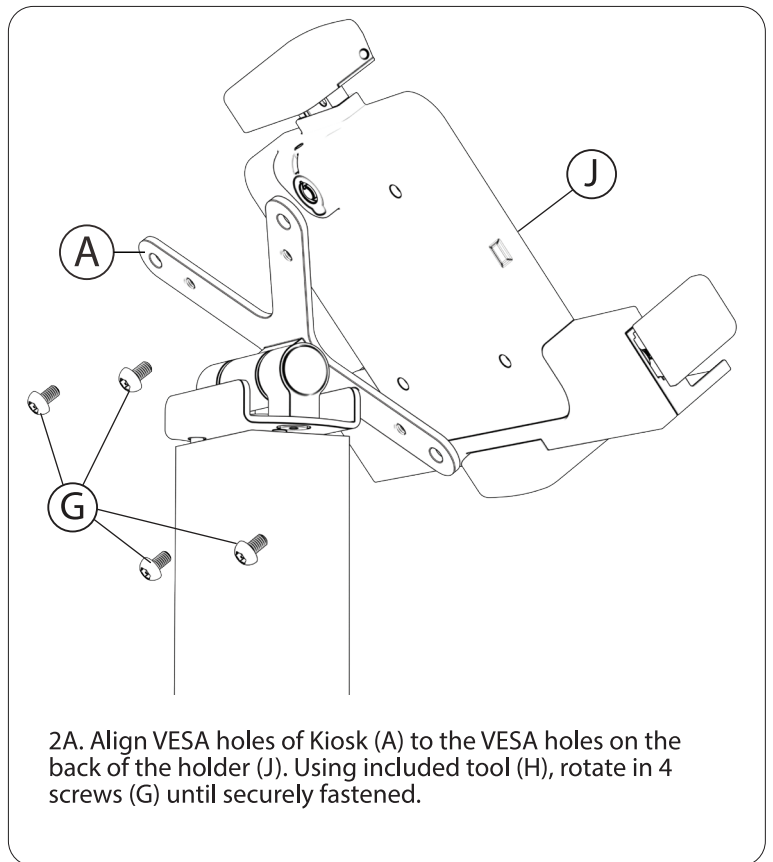


INSTALLATION:

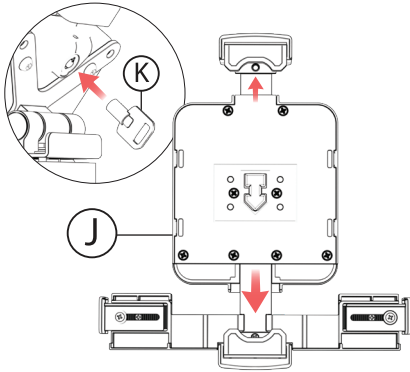
1. Assembling Body to Base



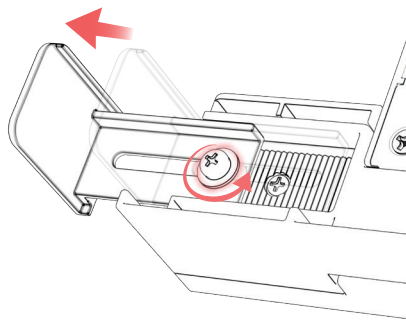
2. Attaching Kiosk to Holder



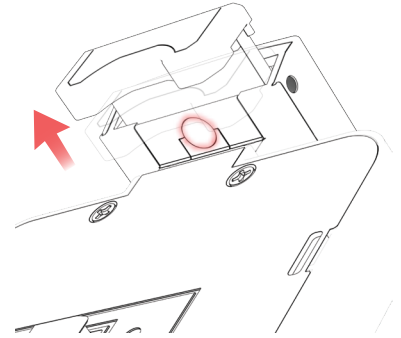
3. Inserting Tablet into Holder



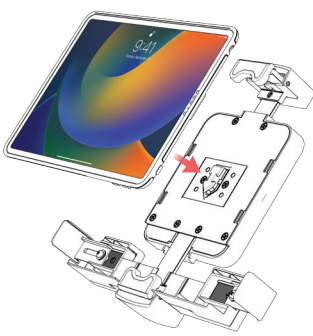
3A. First, make sure the holder is in unlocked position. Insert key (K) to unlock as needed. Using your hands, extend the holder in the Y-direction.



3B. Locate the X-direction holder arms. Using a screw driver (not included), rotate until loosened, then extend arms outwards.



3C. Locate the Z-direction grip arms. On the inside for both the top and bottom, there is a circular button. Press down to loosen the grip arms and extend outwards.

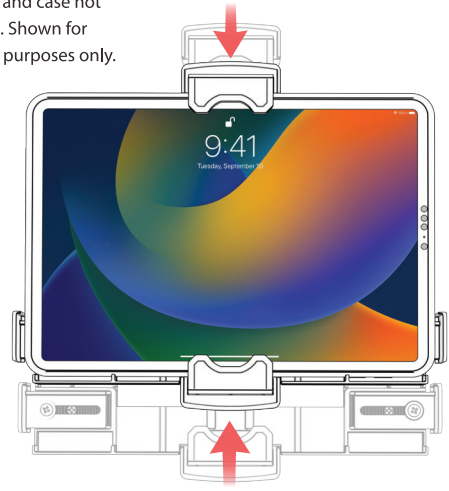


** Tablet and case not included. Shown for example purposes only.



3D. Insert a tablet with compatible case attached. Make sure the two adapters are aligned. Once you insert the tablet with case, it will slide down to let you know it is in the right location. Then, retract the X-direction arms to find the right distance. Remove tablet and use screwdriver to tighten the desired position.

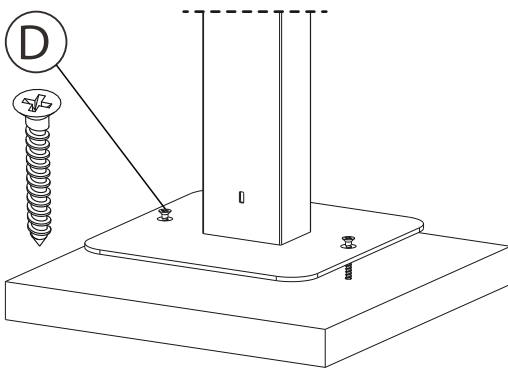
** Tablet and case not included. Shown for example purposes only.



3E. Re-insert the tablet with compatible case. Using your arms, retract the holder in the Y-direction and Z direction until securely fitted.

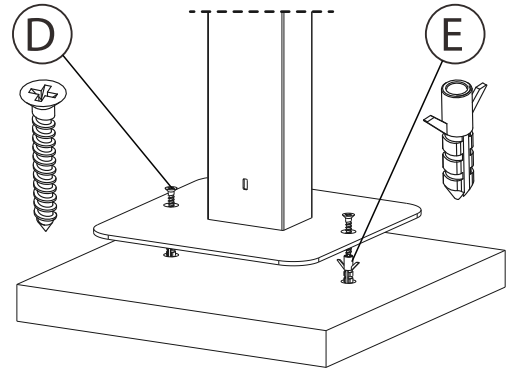
4. Fixed Mounting Setup (optional)

No Anchors



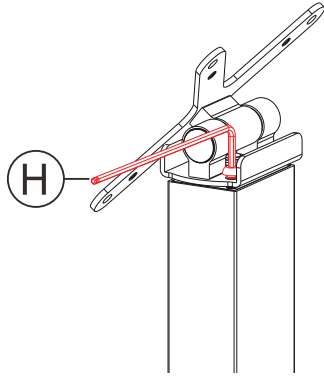
4A. Place the kiosk on top of desired surface, then rotate in screws (F) with a screwdriver tool (not included) until securely tightened.

With Anchors



4B. Insert the anchors into the surface's pre-drilled holes then align kiosk base mounting holes to the pre-drill hole locations. Rotate in screws (F) from above with screwdriver tool (not included) until securely tightened.

5. Swivel Adjustability

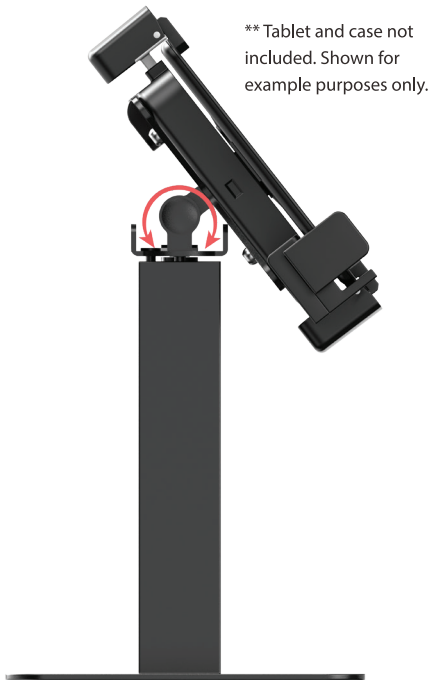


** Tablet and case not included. Shown for example purposes only.



5A. Loosen the screws with provided tool (H) to swivel a range of 180° degrees to get desired setup. Tighten screw afterwards to lock setup.

6. Tilt Adjustability



** Tablet and case not included. Shown for example purposes only.

6A. Tilt VESA joint as illustrated to desired angle view as shown.

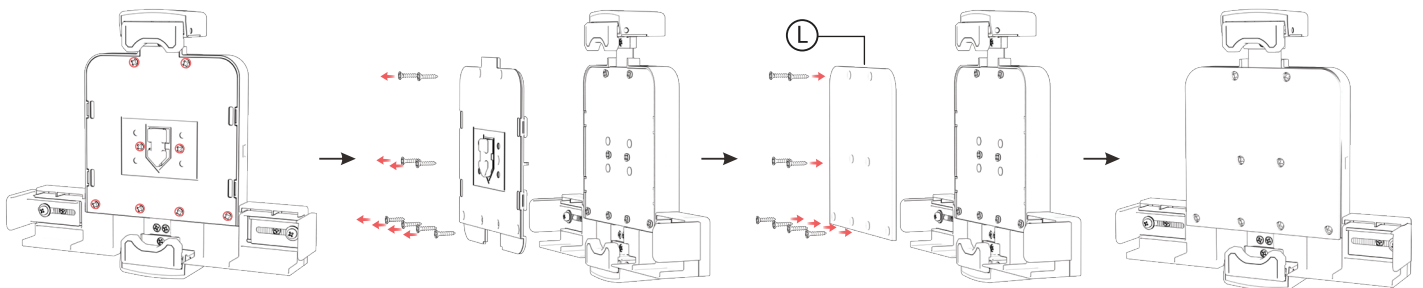
7. Portrait or Landscape Setup



** Tablet and case not included. Shown for example purposes only.

7A. Tilt VESA joint as illustrated to desired angle view as shown.

8. Changing Holder Frontplate (OPTIONAL)



8A. Remove (8) front screws using a screwdriver (not included) as shown above. Replace front place with component (L) and rotate in screw until securely tightened.