

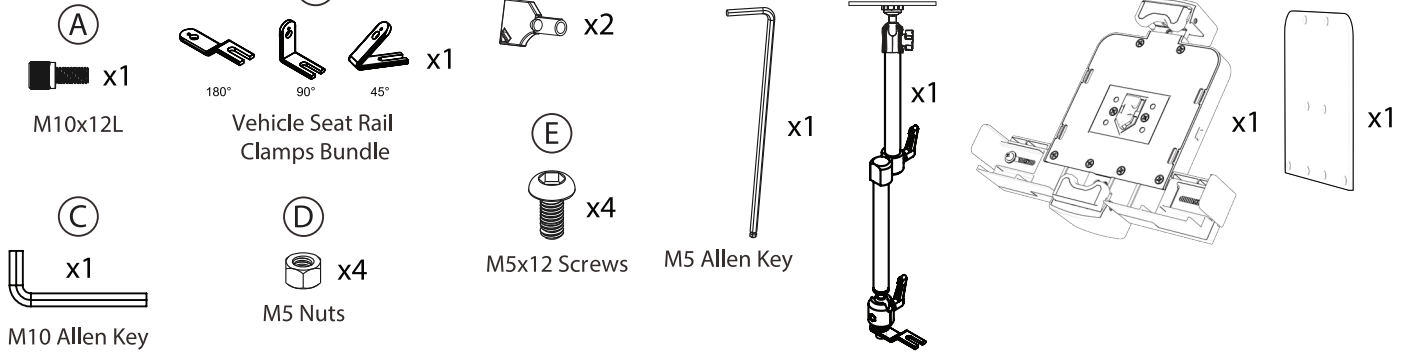


Custom Flex Vehicle Mount with Security Holder for Otterbox uniVERSE and Defender Series Cases

OTT-AUTCFVM

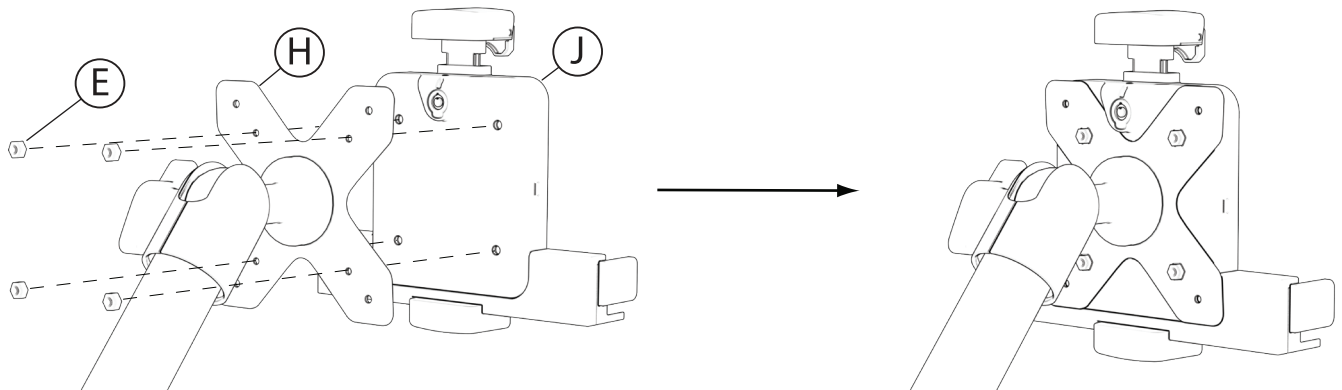
INSTRUCTION - MANUAL

CONTENTS:



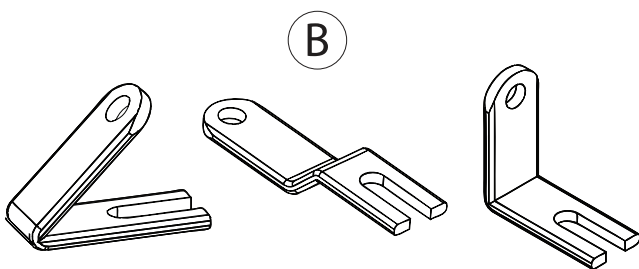
INSTALLATION:

1. Attaching Vehicle Mount to Holder

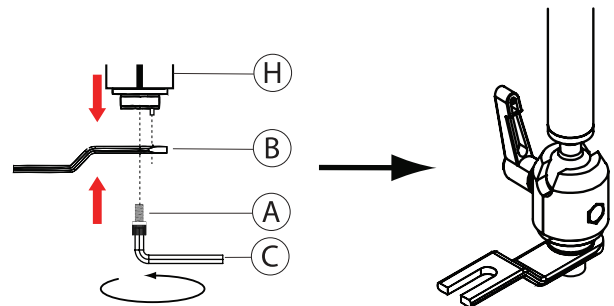


1A. Align VESA holes of Vehicle Mount (H) to the VESA holes on the back of the holder (J). Using included tool (G), rotate in 4 screws (E) until securely fastened.

2. Assembling Rail Clamp Footing of the Carbon Fiber Vehicle Mount

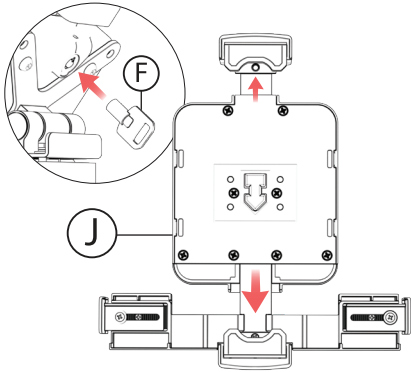


2A. Choose the clamp base (B) with the angle that matches your needs. Because each vehicle is different, you will need to determine which included seat rail clamp is best for you.



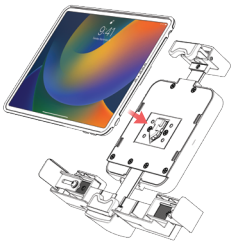
2B. Align the preferred clamp (B) and the vehicle mount (H) and rotate in screw (A) with provided allen key tool (C).

3. Inserting Tablet into Holder

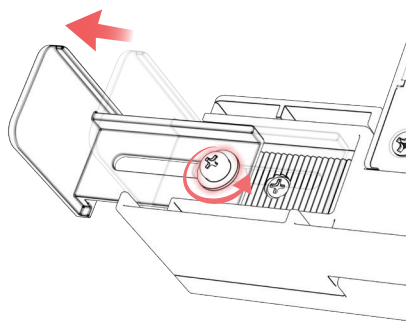


3A. First, make sure the holder is in unlocked position. Insert key (F) to unlock as needed. Using your hands, extend the holder in the Y-direction.

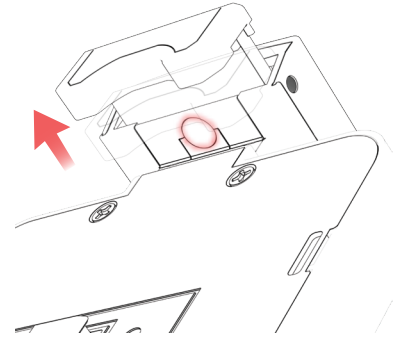
** Tablet and case not included. Shown for example purposes only.



3D. Insert a tablet with compatible case attached. Make sure the two adapters are aligned. Once you insert the tablet with case, it will slide down to let you know it is in the right location. Then, retract the X-direction arms to find the right distance. Remove tablet and use screwdriver to tighten the desired position.

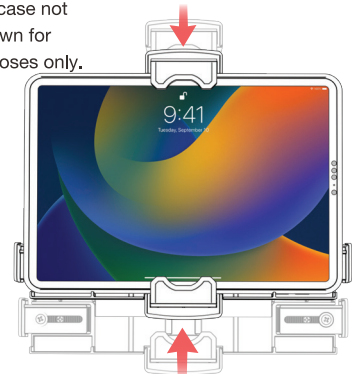


3B. Locate the X-direction holder arms. Using a screw driver (not included), rotate until loosened, then extend arms outwards.



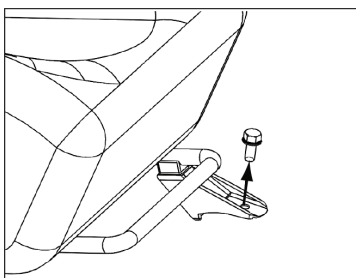
3C. Locate the Z-direction grip arms. On the inside for both the top and bottom, there is a circular button. Press down to loosen the grip arms and extend outwards.

** Tablet and case not included. Shown for example purposes only.

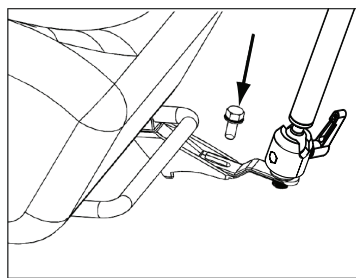


3E. Re-insert the tablet with compatible case. Using your arms, retract the holder in the Y-direction and Z direction until securely fitted.

4. Installing Vehicle Mount to Seat Rail

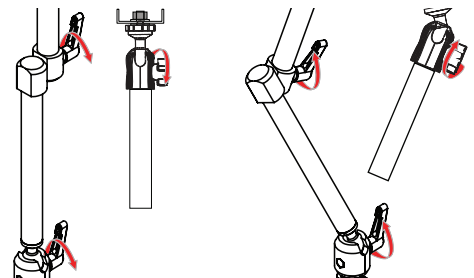


4A. Loosen the bolt (not included) of the seat rail.



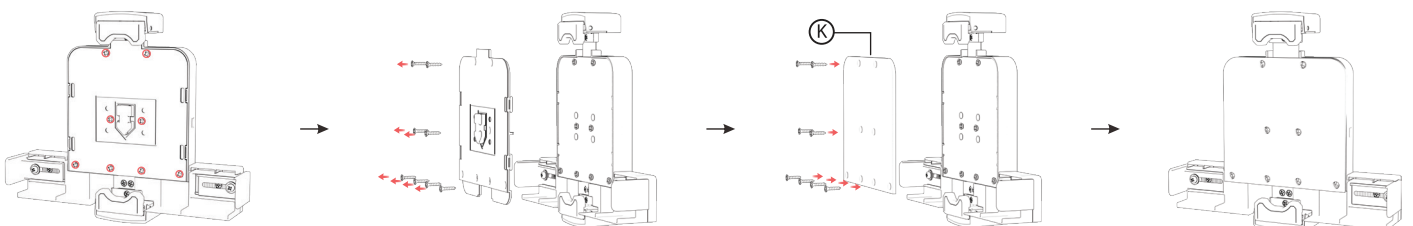
4B. Install the full assembled vehicle mount on the seat rail and screw the bolt back as shown (tool not included).

5. Vehicle Mount Adjustability



5A. Twist the screw knobs counter-clockwise to release the connection. Adjust the arm to your any preferred position & rotate clockwise until securely tightened.

6. Changing Holder Frontplate (OPTIONAL)



6A. Remove (8) front screws usign a screwdriver (not included) as shown above. Replace front place with component (K) and rotate in screw until securely tightened.