

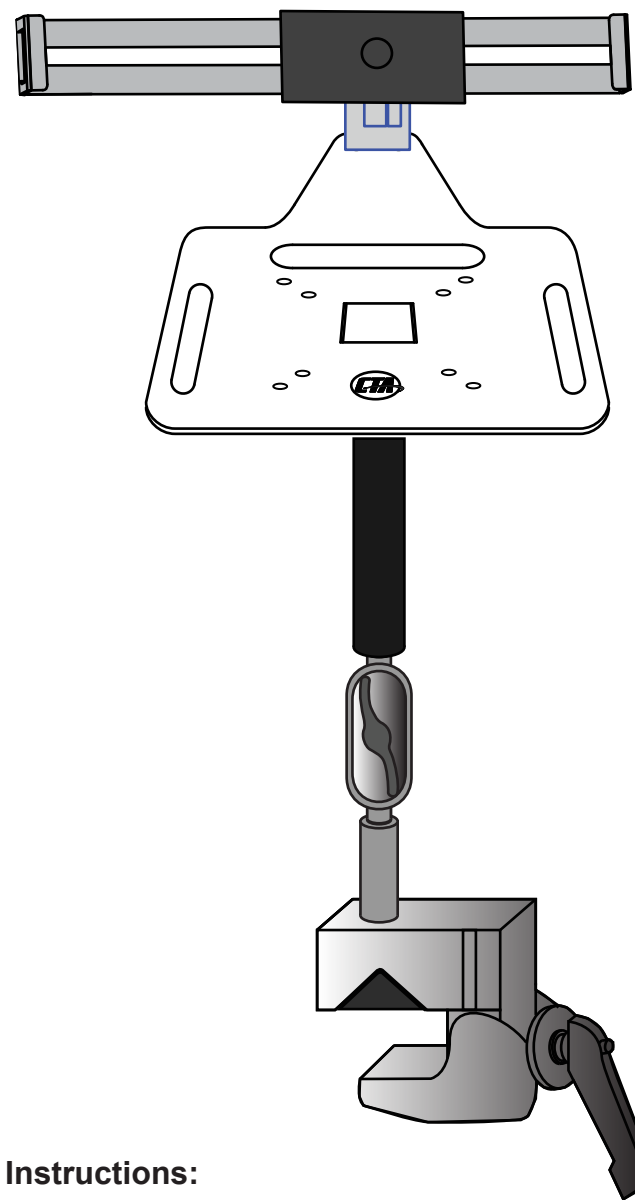


LT-SAM

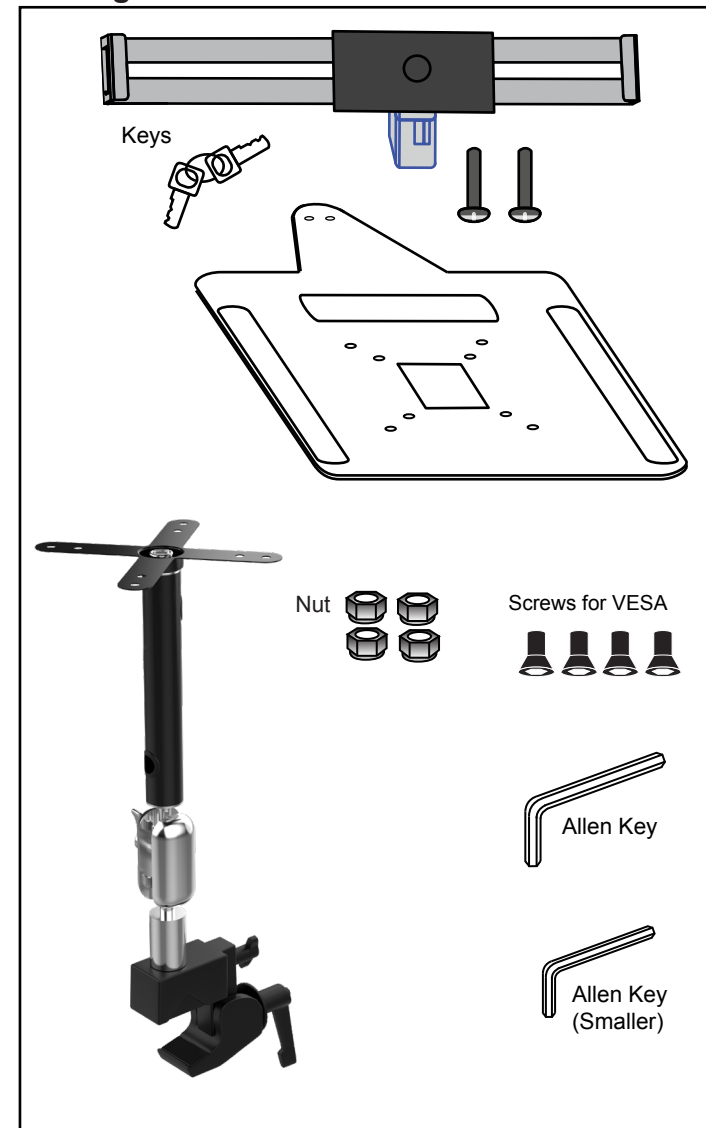
Laptop Security Arm with VESA Mounting Base

INSTRUCTION MANUAL

Thank you for choosing CTA Digital's product. We hope that you will enjoy using it. Please follow the guidelines and instructions as laid out in this instruction manual.



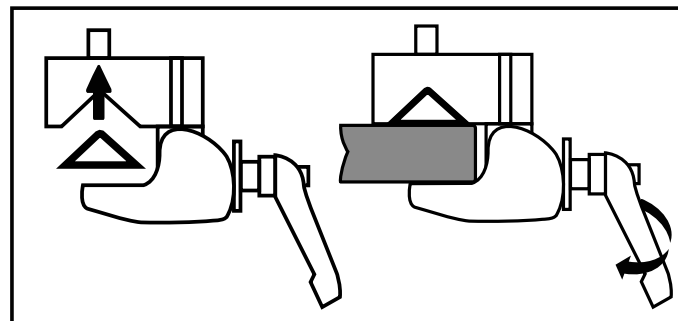
Package Contents:



Instructions:

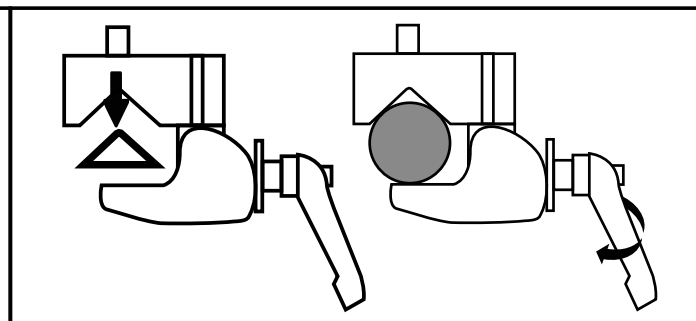
1. Installing Clamp Mount

When installing on a Flat Surface:



1. Place rubber grip flat insert into the clamp groove. Rotate to loosen handle counter-clockwise to widen around surface ledge. Rotate clockwise to tighten until secure.

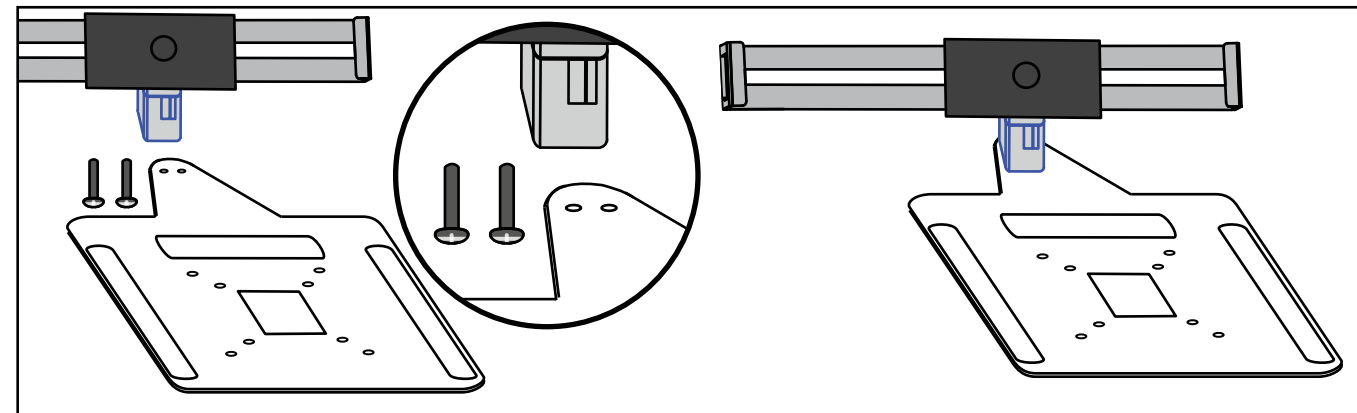
When installing on a Pole:



2. Remove rubber grip flat insert from clamp groove. Rotate to loosen handle counter-clockwise to widen around surface ledge. Rotate clockwise to tighten until secure.

2. Connecting the Holder to the Laptop Plate Base

Take the laptop holder and align the holes on the bottom of the middle joint to the holes on laptop plate as shown. Using the provided tool, screw in the screws from below into the bottom of the laptop holder joint until securely tightened.

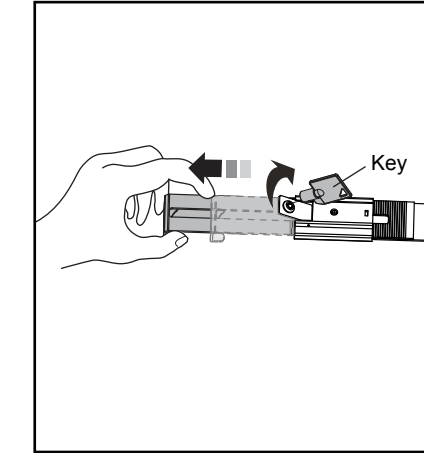


3. Connecting the Laptop Holder Plate Base to the VESA Joint

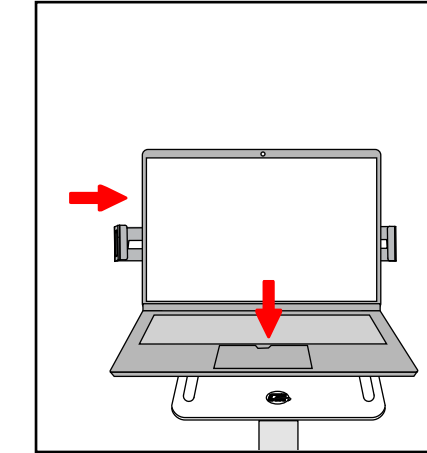
Align the VESA holes of the laptop plate with the VESA mount as shown. Using the provided tool, screw the (4) screws from above the plate through both the plate and VESA mount while holding the (4) hex nuts from behind with your hand. Keep screwing until tight and secure.



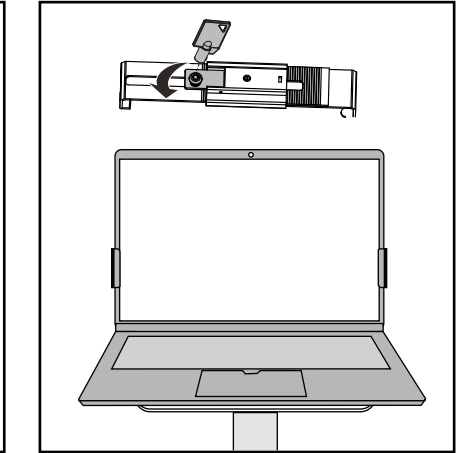
4. Installing your Laptop to the Holder Plate Base



Unlock the holder with the key, and pull out the lock component to allow the holder to adjust.



Extend/Retract the holder to fit the laptop as shown.

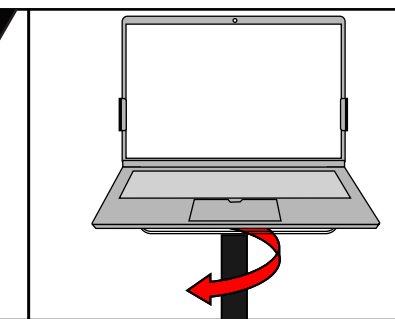


Once the laptop holder is secure, push the lock component back in, and rotate and lock the holder on the back.

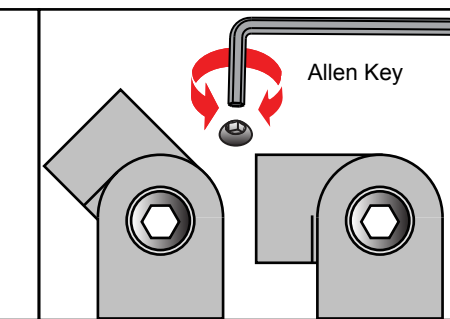
5. Adjusting Joints



Turn the knob counterclockwise to loosen any of the joints on the vehicle mount. Adjust the arm to the desired angle and position, then rotate clockwise to tighten and secure the position.



Adjust and rotate middle joint to orient your laptop as needed as shown.



The connection of the hinge of the holder allows you to adjust your Laptop screen angle. Using the provided allen key, you can loosen and tighten the connection as needed.