



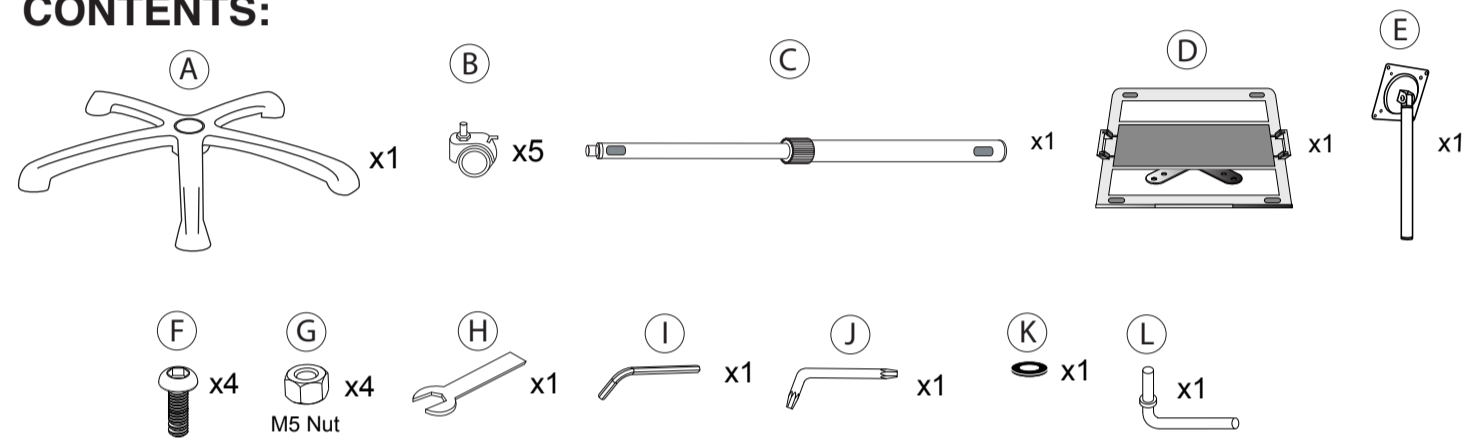
Rolling Floor Stand with Laptop Mount

LT-RFL

INSTRUCTION - MANUAL

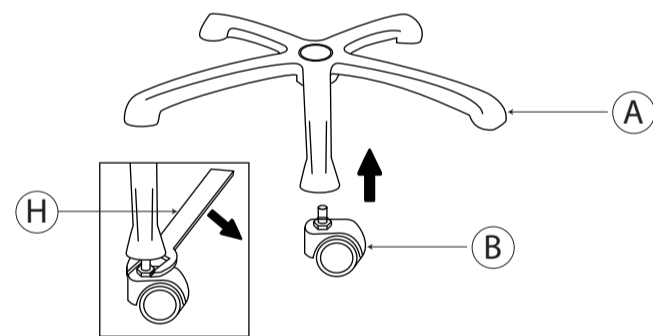
Thank you for choosing CTA Digital's product. We hope that you will enjoy using it. Please follow the guidelines and instructions as laid out in this instruction manual

CONTENTS:



INSTALLATION:

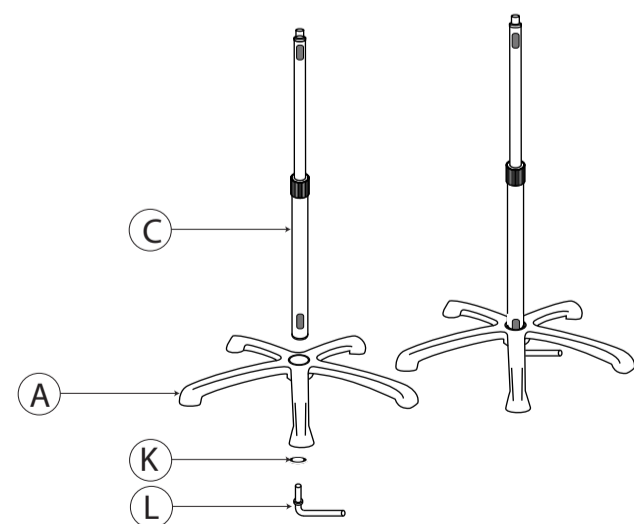
1. Installing the Wheels



1A. Take one wheel (B) and align it to the leg arm holes on the underneath of the base (A). Initially you can use your hands and manually rotate the wheel until slightly tightened. Then use the provided wrench tool (H) at the hex nut and rotate to securely tighten the rest of the way.

2A. Press the wheel lever up or down to place wheels in locked or unlocked mode depending if you want to be in a mobile or stationary setup. Make sure you adjust all wheels at the same time or it won't properly be set up.

2. Attaching Base to Body



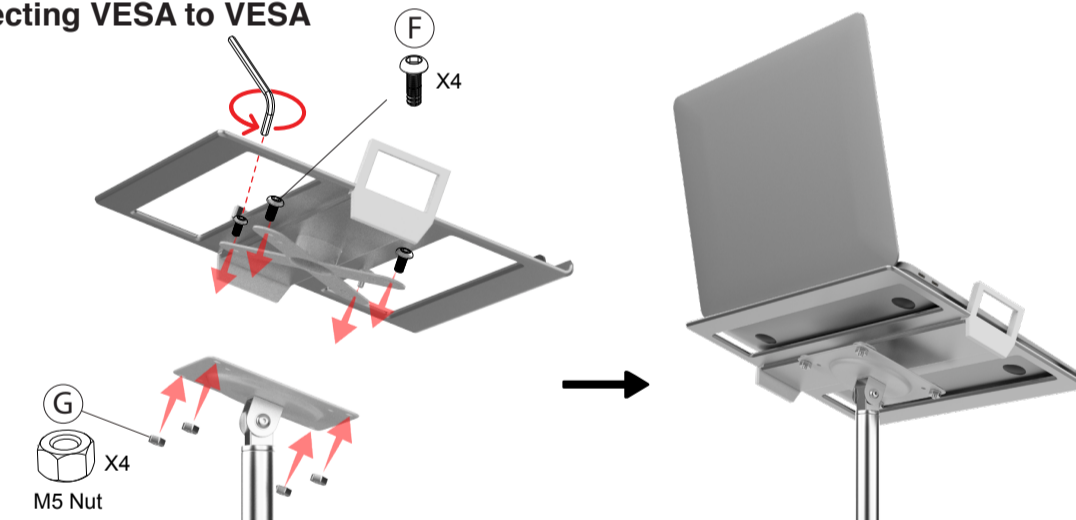
2A. Align the bottom of pole body (C) to the top center of the base (A). While pieces are connected, securely flip over so you can see the bottom. Align washer (K) to the hole on the bottom. Using your hands, identify L-shaped component (L) and rotate through the washer into the hole until securely tightened. Pole body and base should now be securely attached to each other.

3. Assembling ADD-VPOLEW Component to Floor Stand



3A. Screw in ADD-VPOLEW (E) with hand into combined stand turning it clockwise until securely tightened as show above.

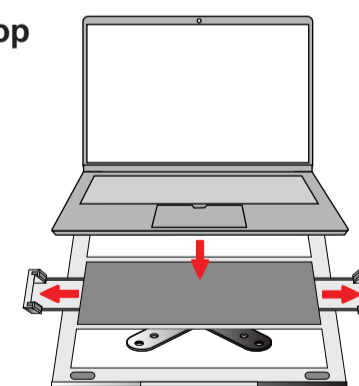
4. Connecting VESA to VESA



**Laptop shown for illustration and NOT INCLUDED.

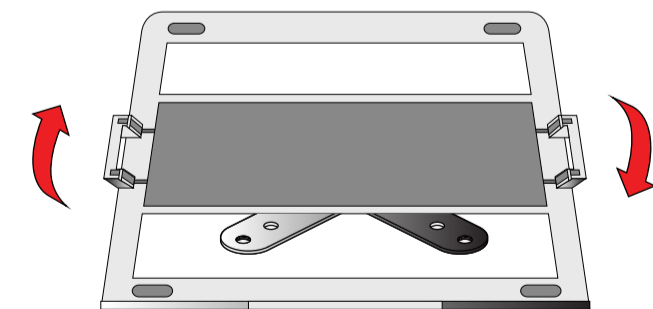
4A. Align VESA Plate (E) to the VESA of the holder (D) Rotate in screws (F) from one side while holding hex nuts (G) from the other end as illustrated. Use provided allen key tool (I) and rotate until securely fastened.

5. Inserting Laptop



5A. Slide out arms to open, place laptop in place then release arms to secure

Adjustability Settings



This VESA Compatible Laptop Plate allows you to rotate 360° degree.