

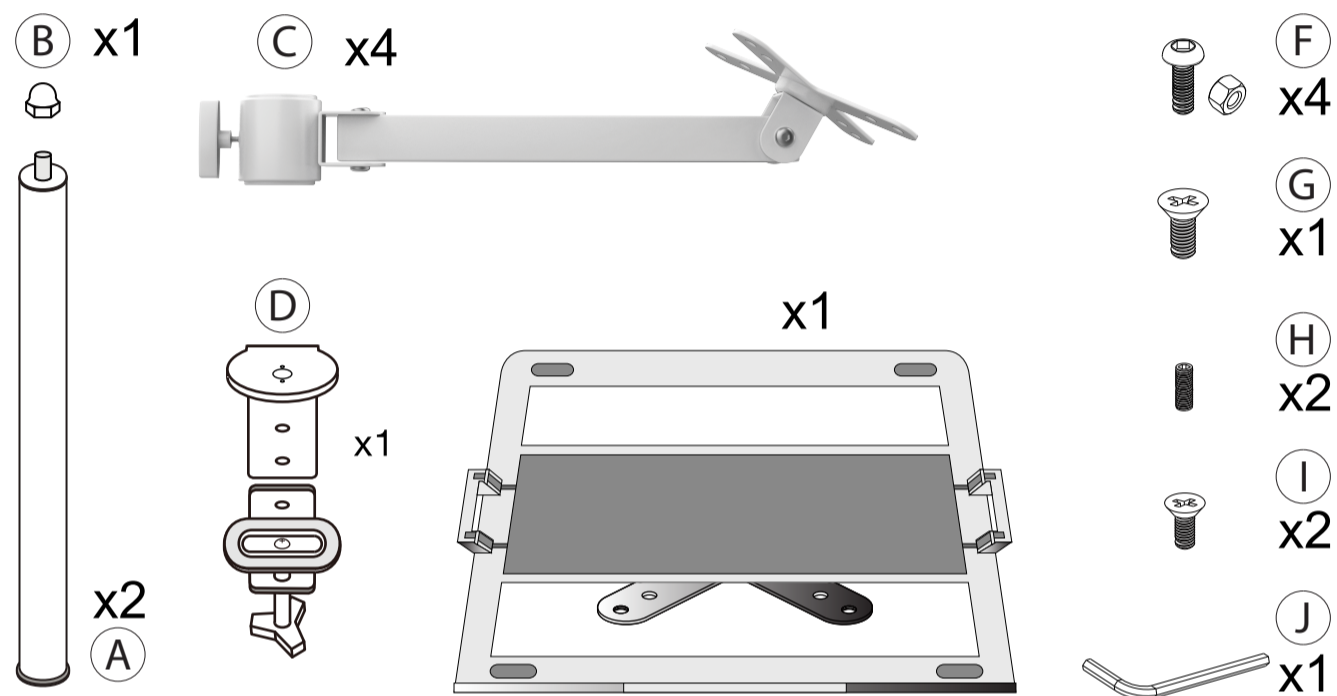


# Articulating Laptop Plate & Pole Clamp Mount

LT-PCM

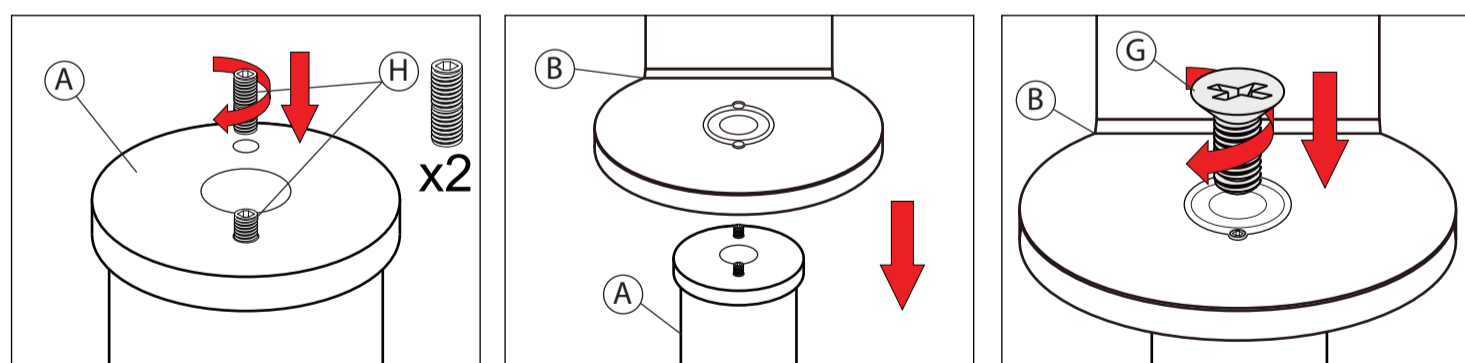
INSTRUCTION - MANUAL

## CONTENTS:



## INSTALLATION:

### 1. Connecting the clamp & the poles :

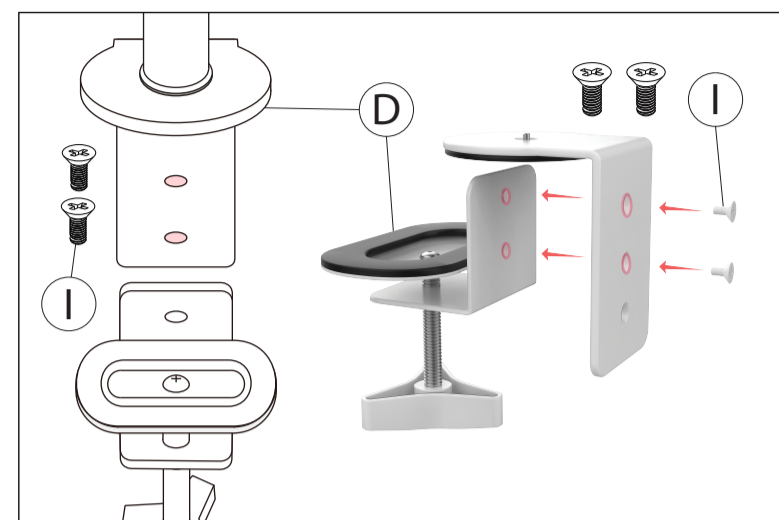


1A. Screw up the small meter screws (H) into the holes on the bottom of the pole (A).

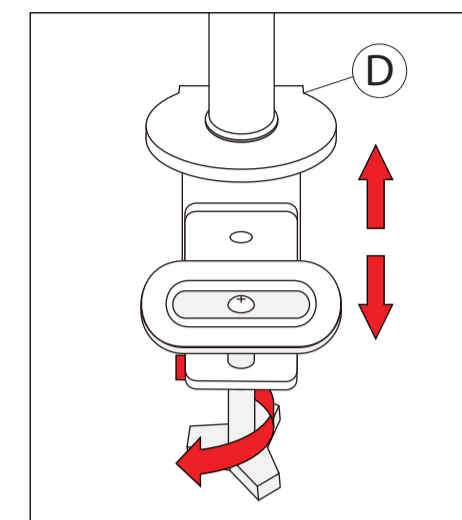
1B. Align and insert the Pole (A) into the top round component of the Clamp (D).

1C. Turn in the screw (G) to connect both the pole(A) and clamp(D) component securely.

### 2. Assemble clamp components together :

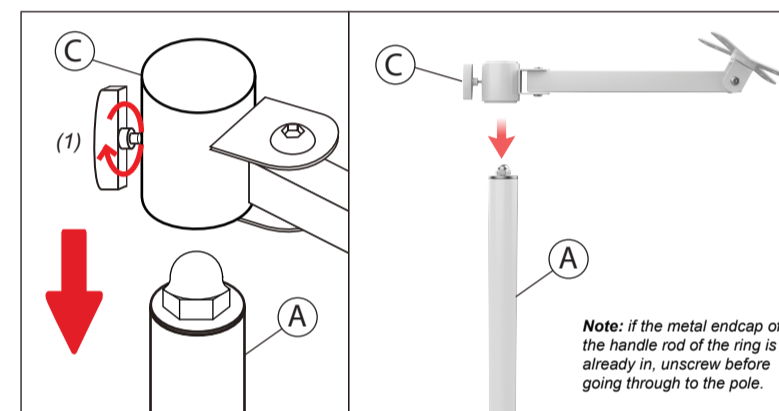


2A. Align the preferred (2) screw holes of both clamp components (D). Then turn in clockwise both screws (I) until securely tightened.

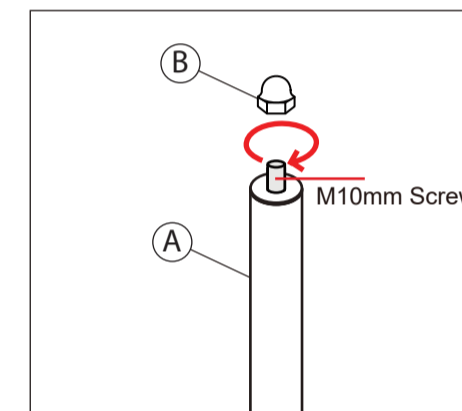


2B. Adjust the clamp and tightening rod to fit with different table/surface thickness.

### 3. Connecting VESA to VESA :

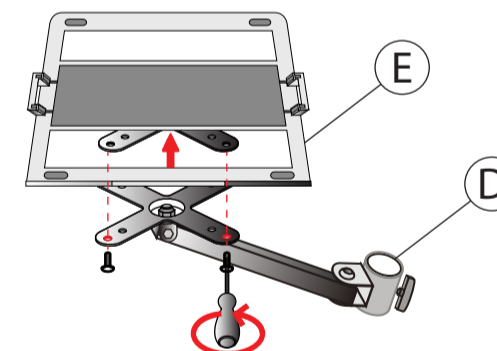


3A. Loosen VESA Plate pole grip (1). Slide down VESA plate arm (C) to desired position then, tighten pole grip (1). Adjust VESA angle and orientation as preferred.



3B. Screw on clockwise metal endcap (B) until securely tightened.

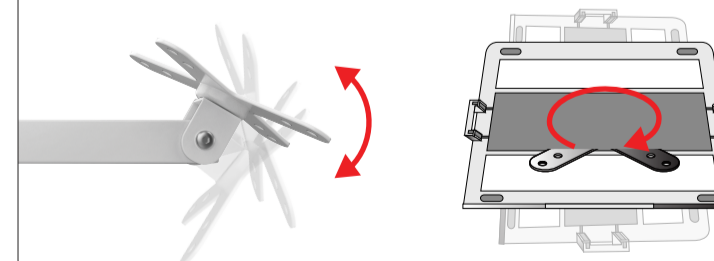
### 4. Connecting VESA to VESA :



4A. Connect Laptop Holder VESA (E) to VESA arm (D) by screwing up the bolts (F) with a screwdriver as shown.

### Rotation & Tilt Adjustability

Tilt up and down & Rotate 360 degree preferred positions as needed.



### Installing laptop into plate

Slide open the arms of the plate, place your laptop in position then release to hold the laptop.

