

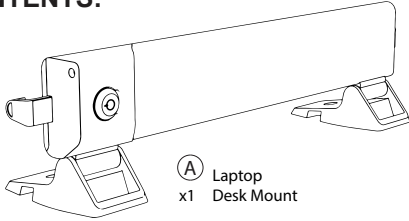


Locking & Folding Security Laptop Desk Mount

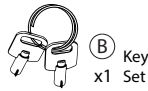
LT-LFSDM

INSTALLATION - MANUAL

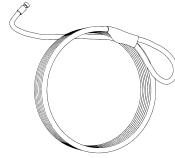
CONTENTS:



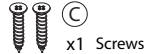
(A) Laptop Desk Mount
x1



(B) Key Set
x1



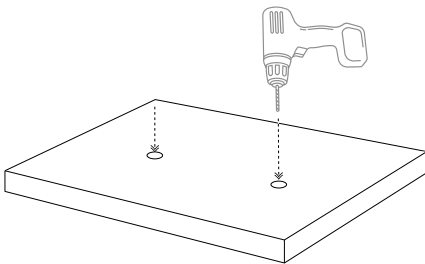
(D) Cable Lock
x1



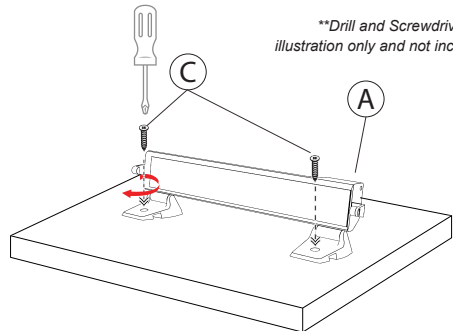
(C) Screws
x1

INSTALLATION:

1. Installing the Mount to Table :



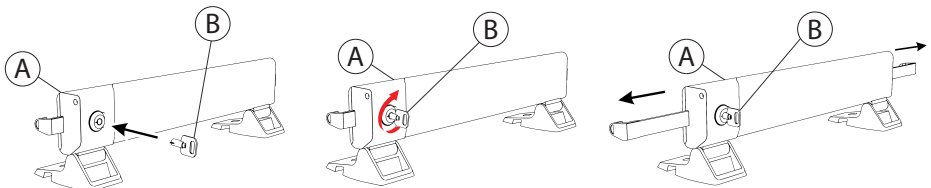
1A. Make holes on the surface where desk mount (A) will be fixed as shown above.



****Drill and Screwdriver for illustration only and not included**

1B. Place the laptop desk mount (A) matching the holes drilled on surface and screw in the provided x2 screws (C) through the base with a screw driver (not provided) until securely tightened.

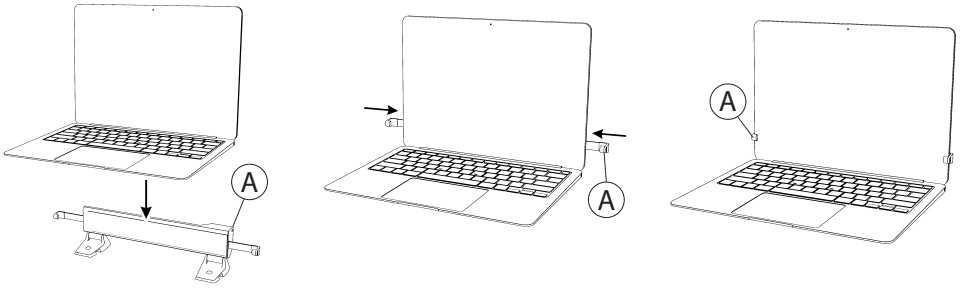
2. Releasing the arms :



2A. Insert the Key (C) provided into the Lock and turn it clockwise to unlock and release the arms. Open the arms until laptop can fit in.

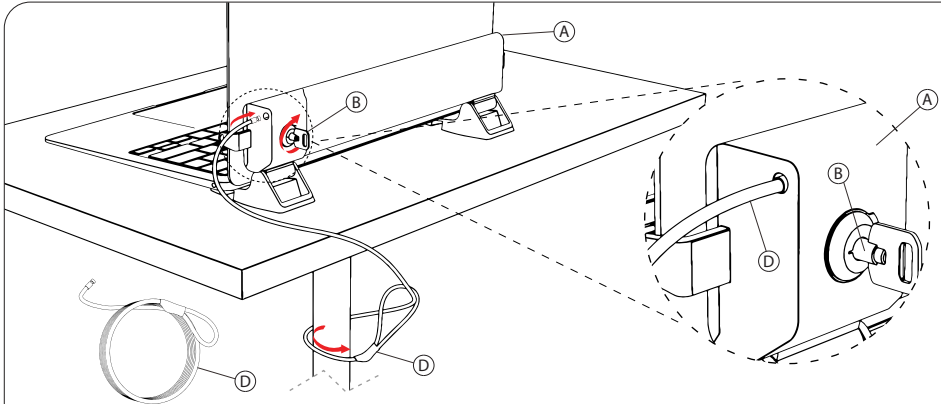
3.Inserting the laptop to desk mount :

***Laptop for illustration only and not included*



3A. insert the laptop and closed the arms until securely holds. Turn it back counter clockwise the Key (C) to Lock it. Confirm its locked.

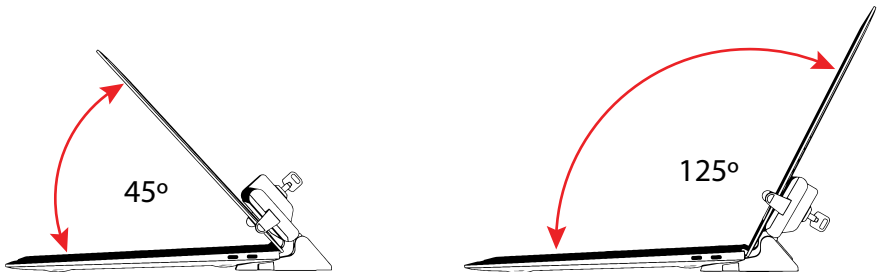
Key & Lock Security Option



1. Take the looped end of lock cable (D) and turn it around leg table

2. Insert the key(B) in the lock and turn it clockwise then take the metal end of lock cable (D) into lock hole to secure the laptop and desk mount.

View Angles



1. Tilt screen between 45° - 125° as shown.