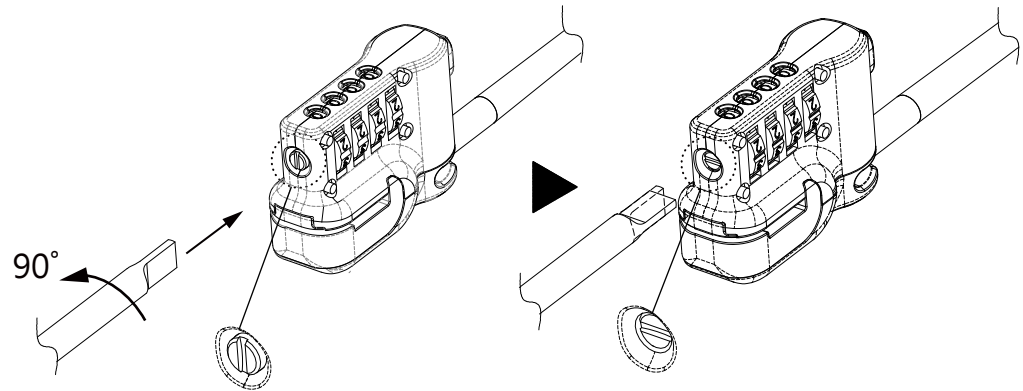


INSTALLATION INSTRUCTIONS

SETTING YOUR OWN COMBINATION

1. Turn the Dials to the factory preset combination 0-0-0-0.
2. Turn the Reset Button 90° clockwise with a small flathead screwdriver or similar tool.
3. Turn the Dials to set your own desired combination.
4. Turn the Reset Button 90° counterclockwise back to its original position.

Your lock is now ready to open at its new combination.



Keep your combination in a safe and accessible place for future reference.

