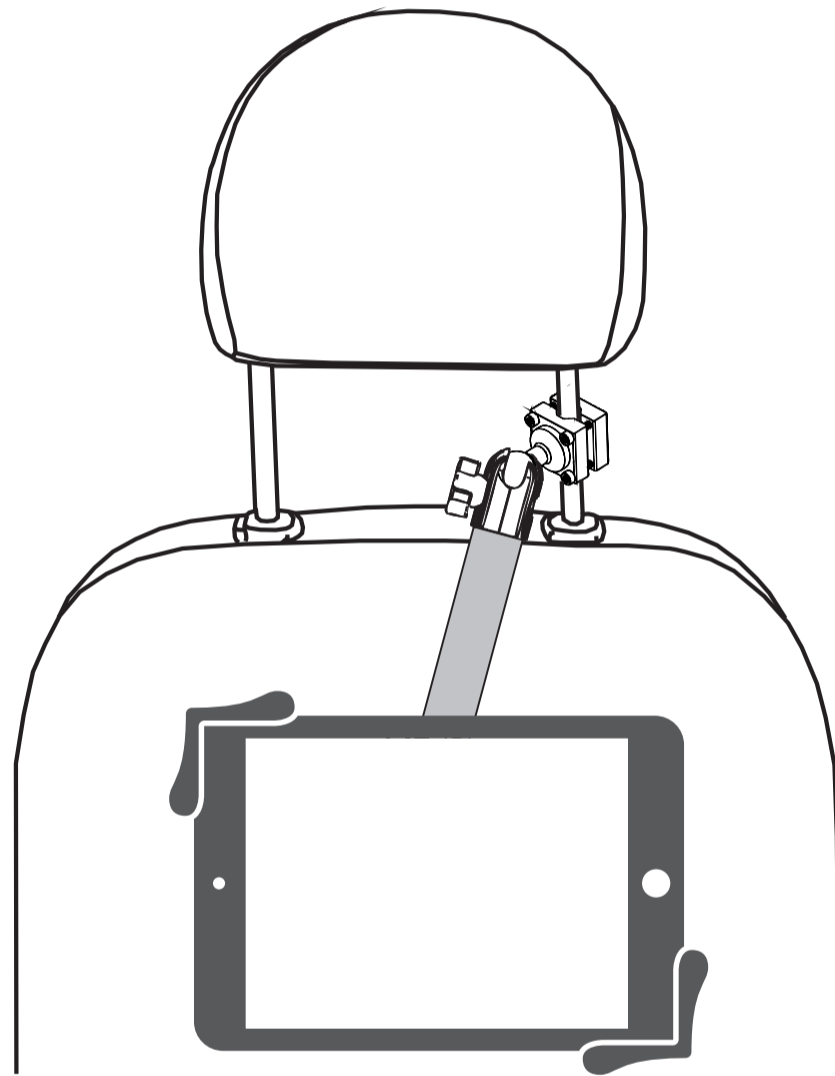




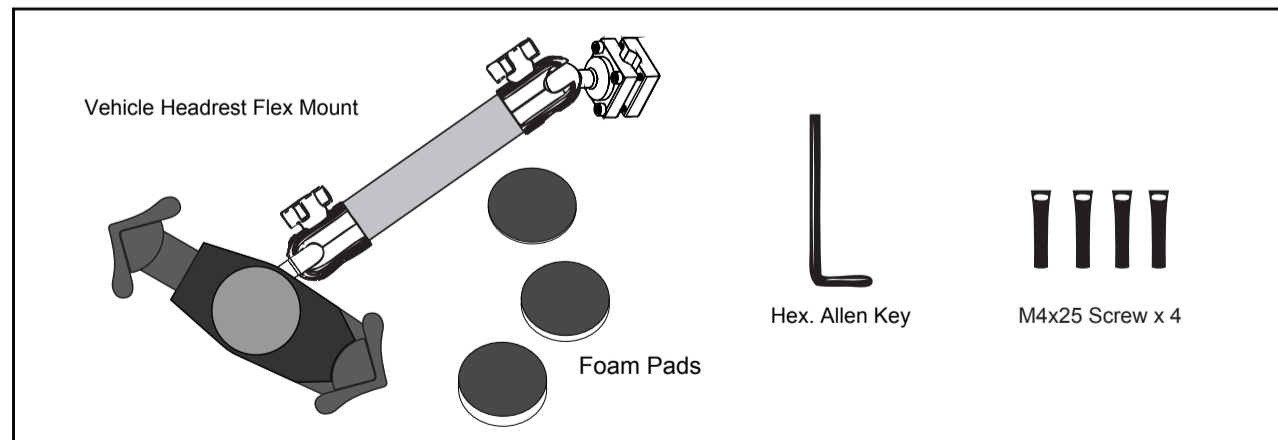
AUT-VHFM

Vehicle Headrest Flex Mount for 7-14 Inch Tablets INSTRUCTION MANUAL

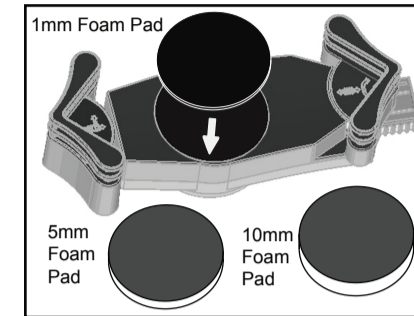
Thank you for choosing CTA Digital's product. We hope that you will enjoy using it. Please follow the guidelines and instructions as laid out in this instruction manual.



Package Contents:



Instructions: 1. Attaching Foam Pad to Tablet Holder



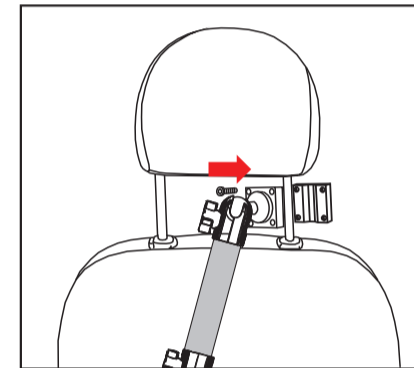
Use this table to determine the appropriate foam pad to use with your tablet.

Note: sizes refer to total tablet size with or without a case.

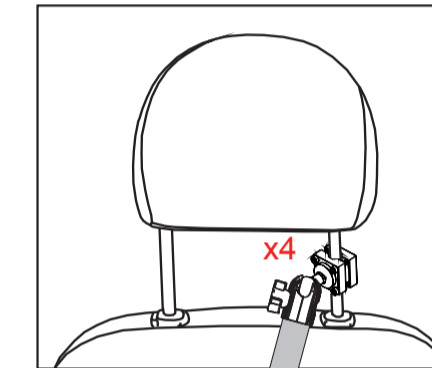
Foam Pad Thickness	Tablet Thickness:
1mm	0.67-1.06in / 17-27mm
5mm	0.51-0.91in / 13-23mm
10mm	0.31-0.71in / 8-18mm

Select the appropriate foam pad according to the thickness of your tablet (or tablet in its case), then press adhesive side into center of the tablet holder.

2. Installing Vehicle Headrest Security Flex Mount to your Vehicle Headrest

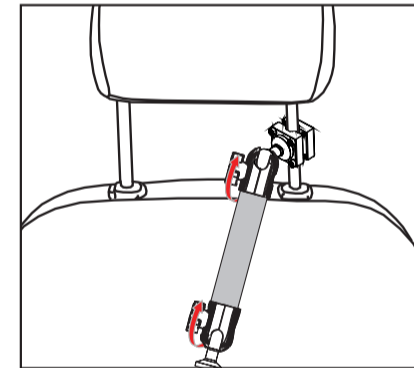


1. Screw both BASE of the clamp on the headrest support with the M4*25 screw and Allen Key.

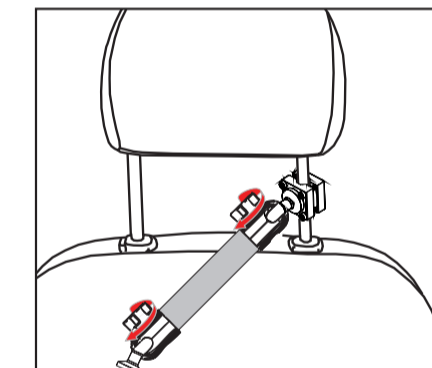


2. Repeat Step 1 to screw up 4 screws and make sure you have installed it securely.

3. Adjusting the Flex Arm

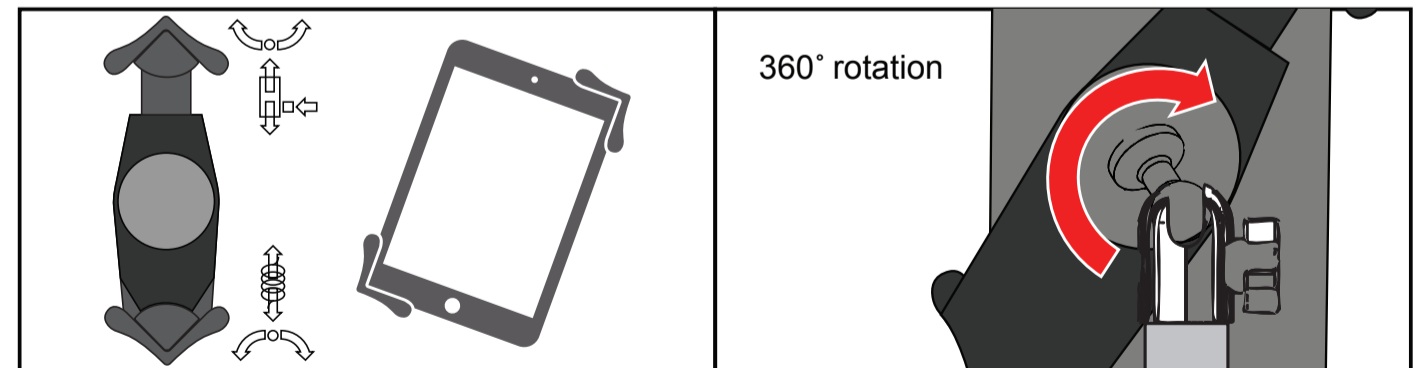


1. Twist the SCREW KNOB(both or Either) anticlockwise to release the connection.



2. Adjust the arm to your favorite position and then tighten the SCREW KNOB clockwise .

4. Installing your Device and Adjusting the Tablet holder



1. Press quick release button on side of tablet holder to release the adjustable end. Insert tablet corner against the spring arm, then push adjustable arm down against opposite corner. Be sure it is as snug as possible.

2. Tablet holder rotates 360 degrees for custom viewing angles.



Caution

Please be sure to fasten all the screws were tightened securely while using the stand.
Not for use while driving.
Max loading :1KG

SUPPORT@CTADIGITAL.COM