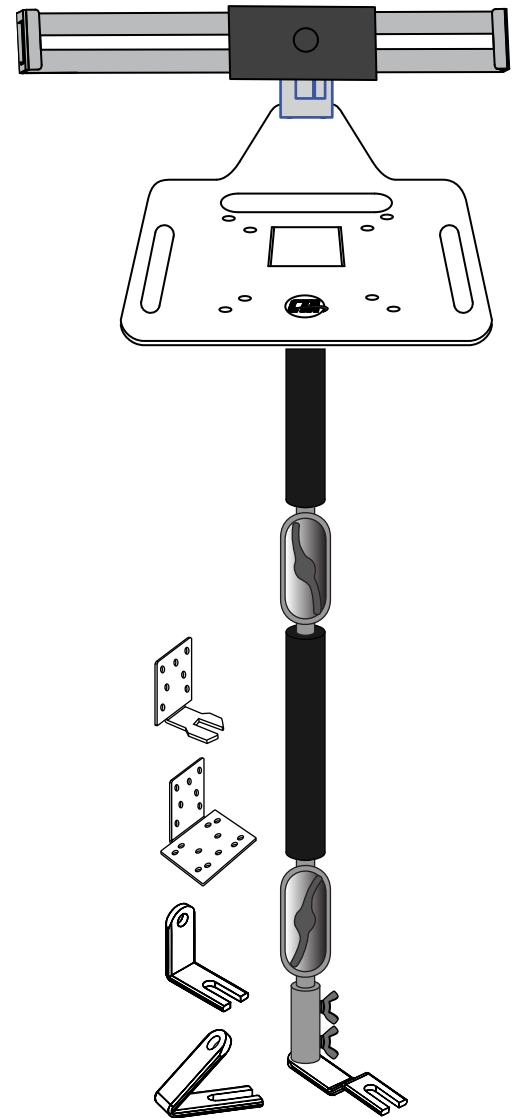




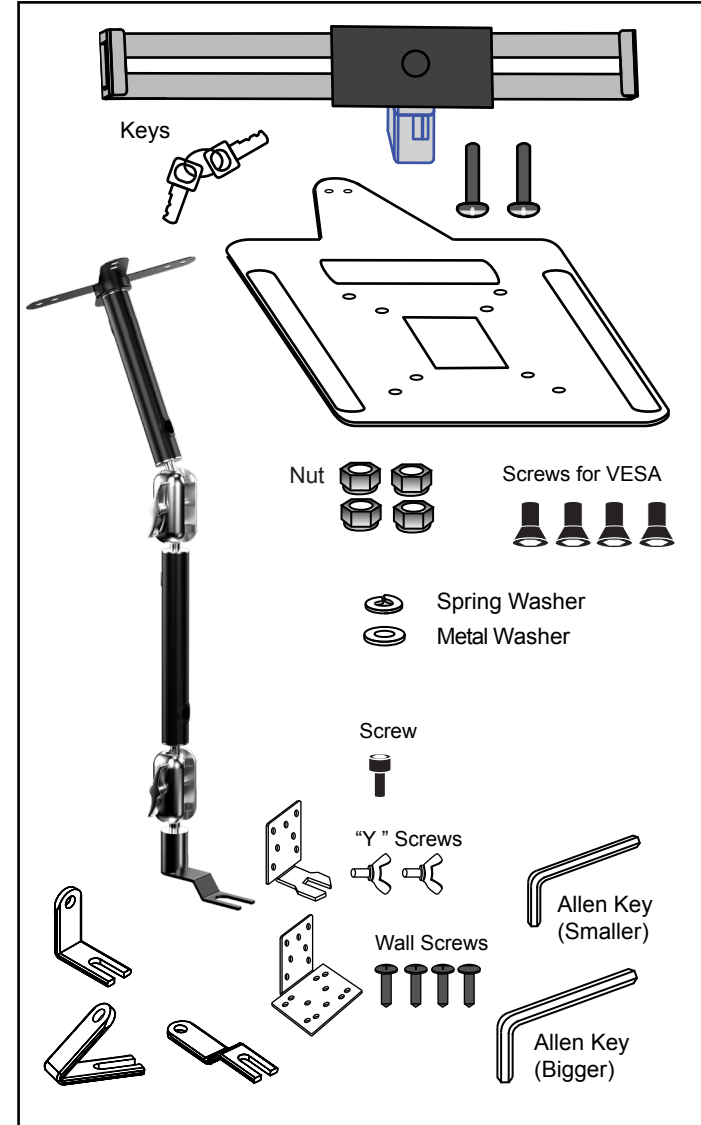
AUT-SAM

Laptop Security Arm with VESA Mounting Base for Vehicles INSTRUCTION MANUAL

Thank you for choosing CTA Digital's product. We hope that you will enjoy using it. Please follow the guidelines and instructions as laid out in this instruction manual.



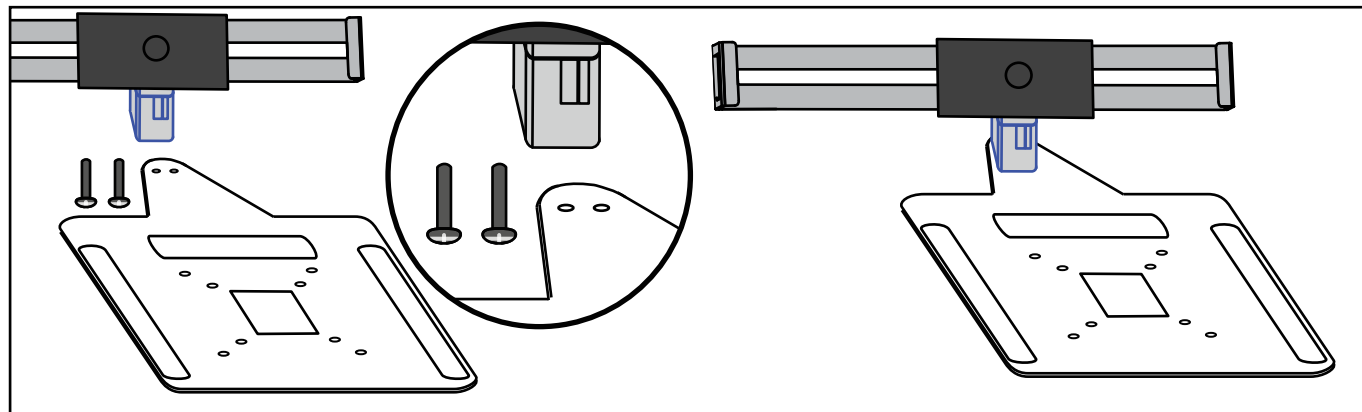
Package Contents:



Instructions:

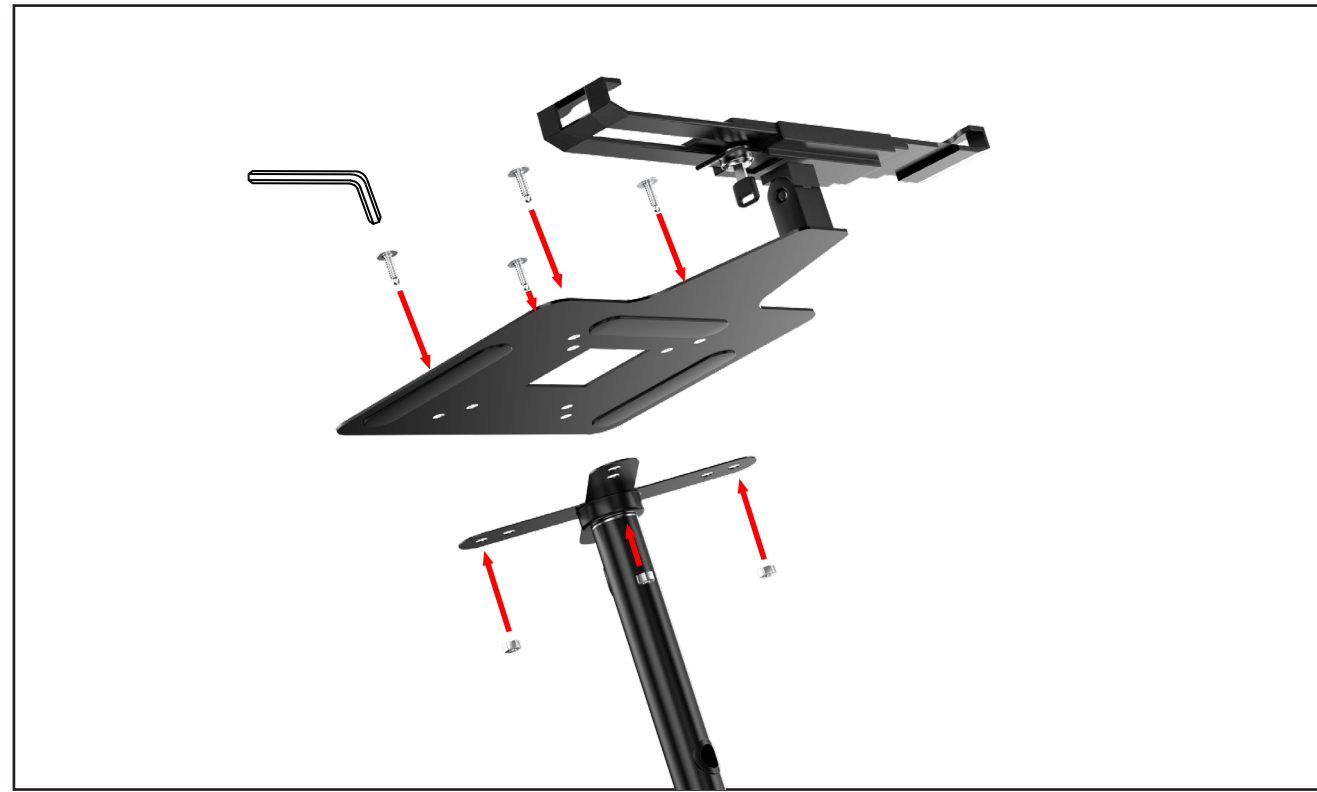
1. Connecting the Holder to the Laptop Plate Base

Take the laptop holder and align the holes on the bottom of the middle joint to the holes on laptop plate as shown. Using the provided tool, screw in the screws from below into the bottom of the laptop holder joint until securely tightened.

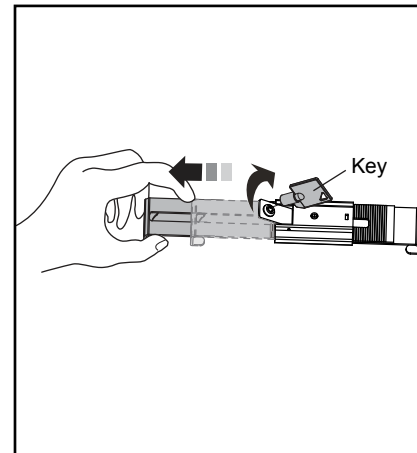


2. Connecting the Laptop Holder Plate Base to the VESA Joint as shown below

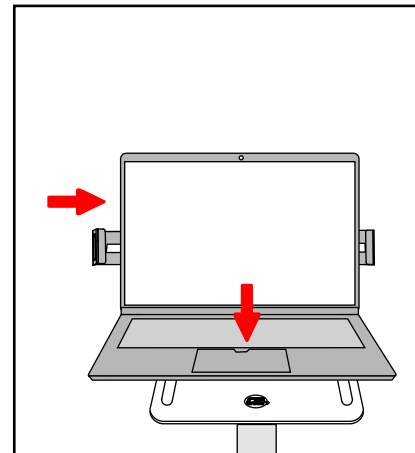
Align the VESA holes of the laptop plate with the VESA mount as shown. Using the provided tool, screw the (4) screws from above the plate through both the plate and VESA mount while holding the (4) hex nuts from behind with your hand. Keep screwing until tight and secure.



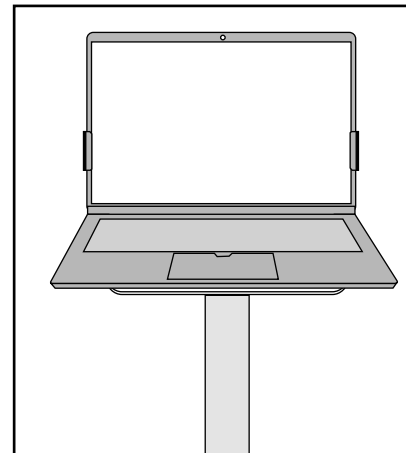
3. Installing your Laptop to the Holder Plate Base



3A. Unlock the holder with the key, and pull out the lock component to allow the holder to adjust.

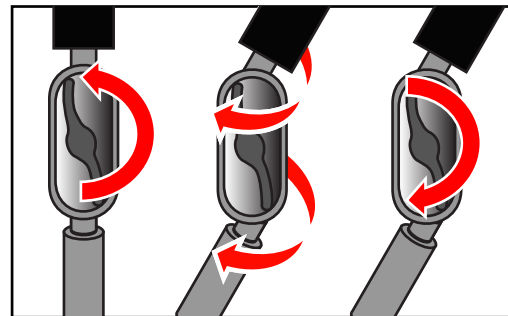


3B. Extend/Retract the holder to fit the laptop as shown.

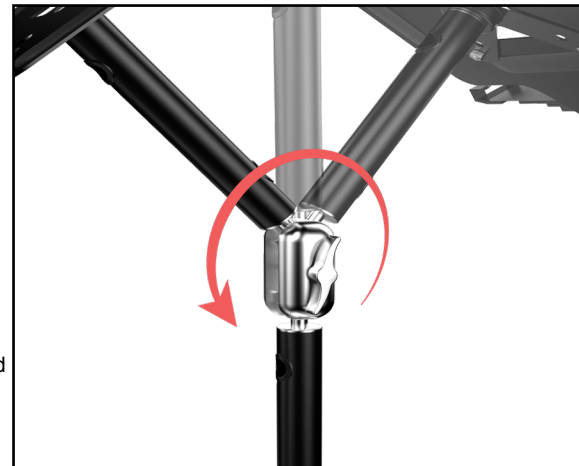


3C. Once the laptop holder is secure, push the lock component back in, and rotate and lock the holder on the back.

4. Adjusting Joints



4A. Turn the knob counterclockwise to loosen any of the joints on the vehicle mount. Adjust the arm to the desired angle and position, then rotate clockwise to tighten and secure the position.

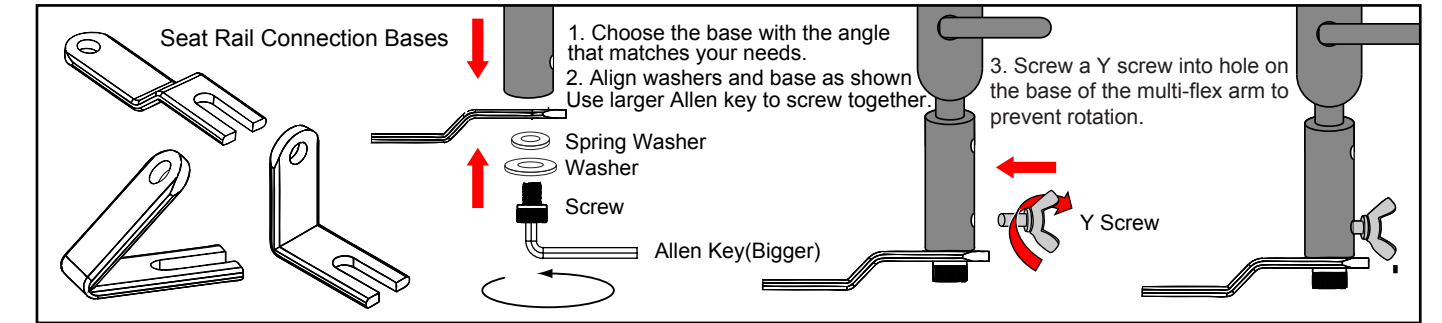


SUPPORT@CTADIGITAL.COM

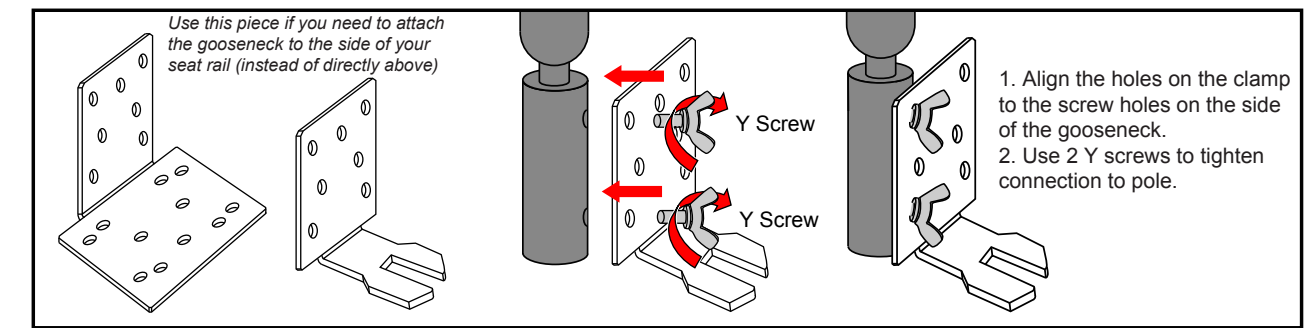
5. Attaching Car Seat Rail Clamp to Multi-Flex Pole.

Choose from the different rail options mounting options that best matches your car/vehicle railing.

The following (3) clamps allow you to connect from the bottom of Multi-Flex Pole setup.

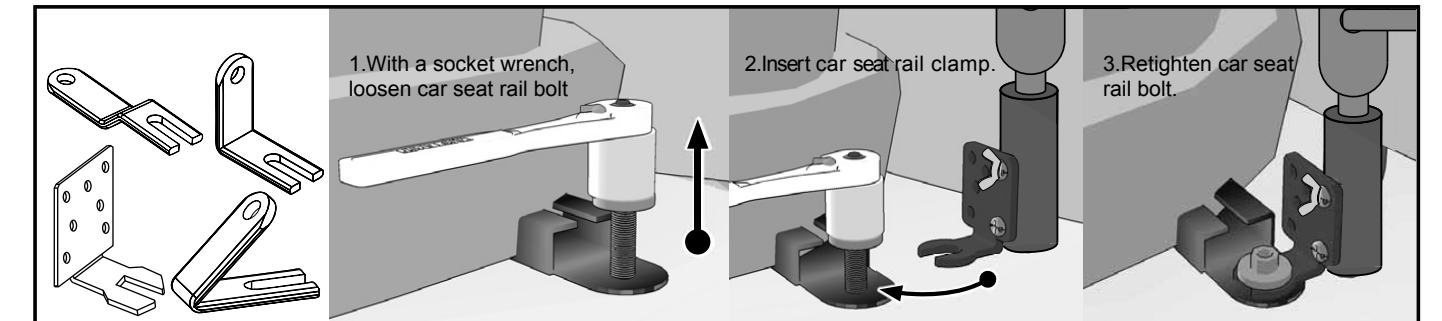


These two clamps allow you to connect the side of the Multi-flex pole

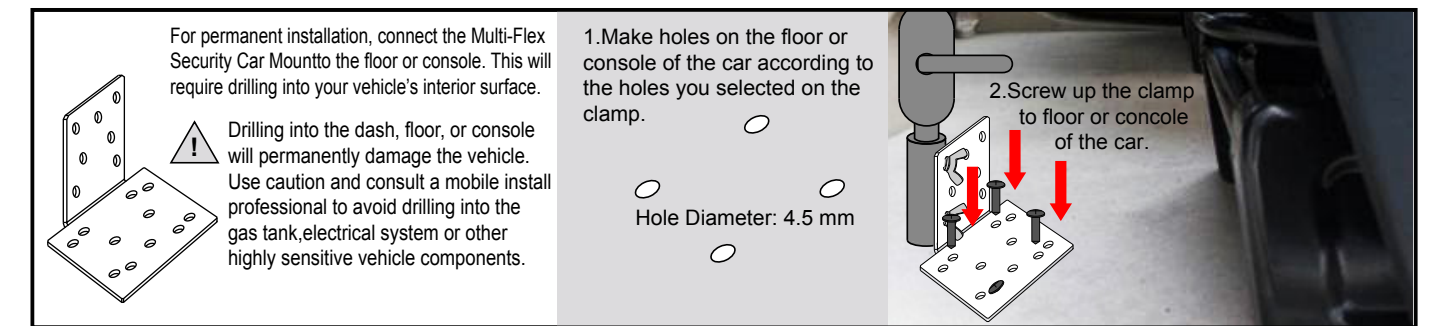


6. Installing the rail mount to your vehicle

When connecting to the car seat rail - Choose from the following (4) rails as shown below



When connecting to the car floor or console - Use the (1) rail as shown below



For permanent installation, connect the Multi-Flex Security Car Mount to the floor or console. This will require drilling into your vehicle's interior surface.

Drilling into the dash, floor, or console will permanently damage the vehicle. Use caution and consult a mobile install professional to avoid drilling into the gas tank, electrical system or other highly sensitive vehicle components.

1. Make holes on the floor or console of the car according to the holes you selected on the clamp.

Hole Diameter: 4.5 mm

2. Screw up the clamp to floor or console of the car.