

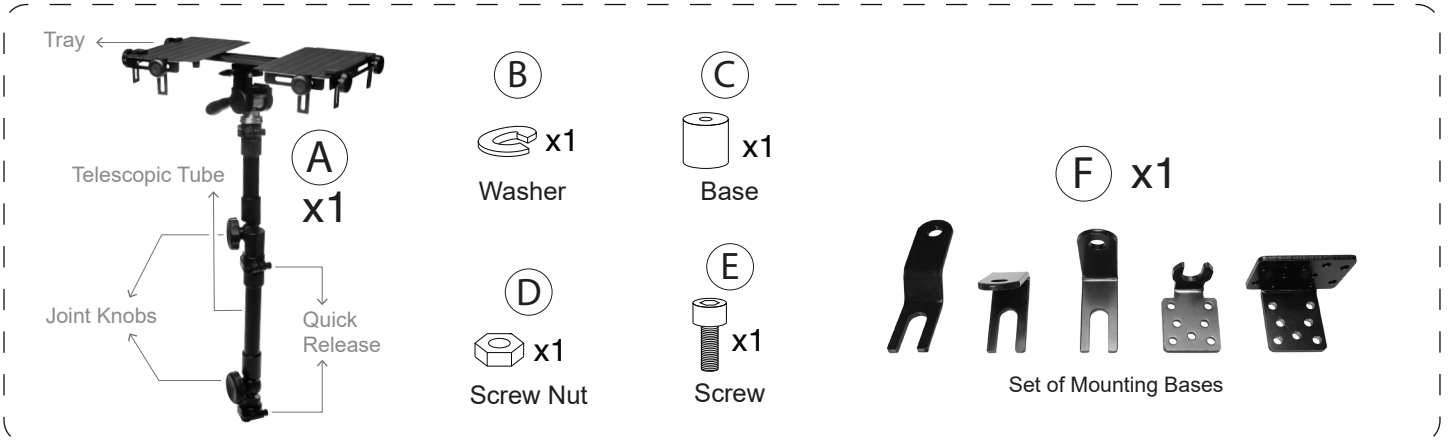


Multi-Flex Vehicle Mount for Laptops

AUT-MFVM

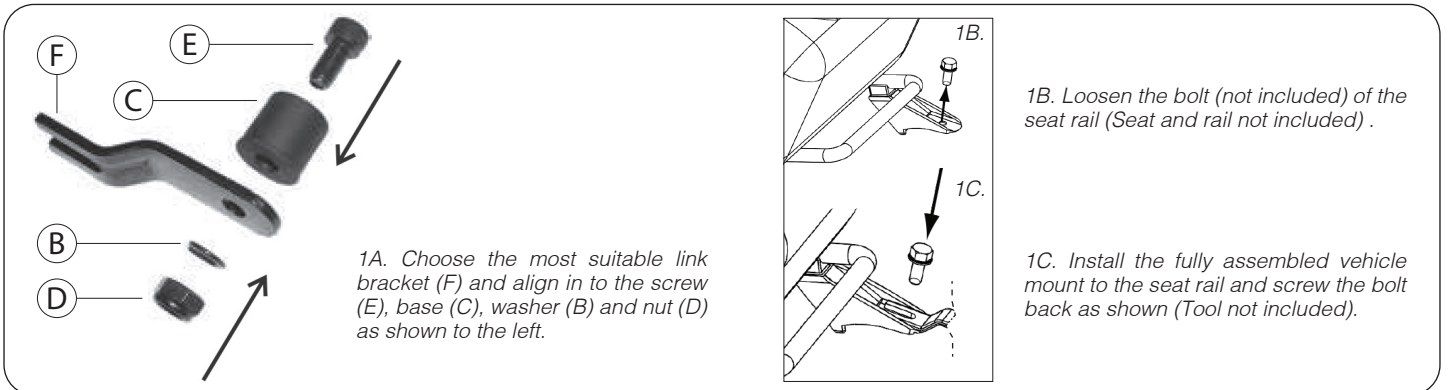
INSTRUCTION - MANUAL

CONTENTS:

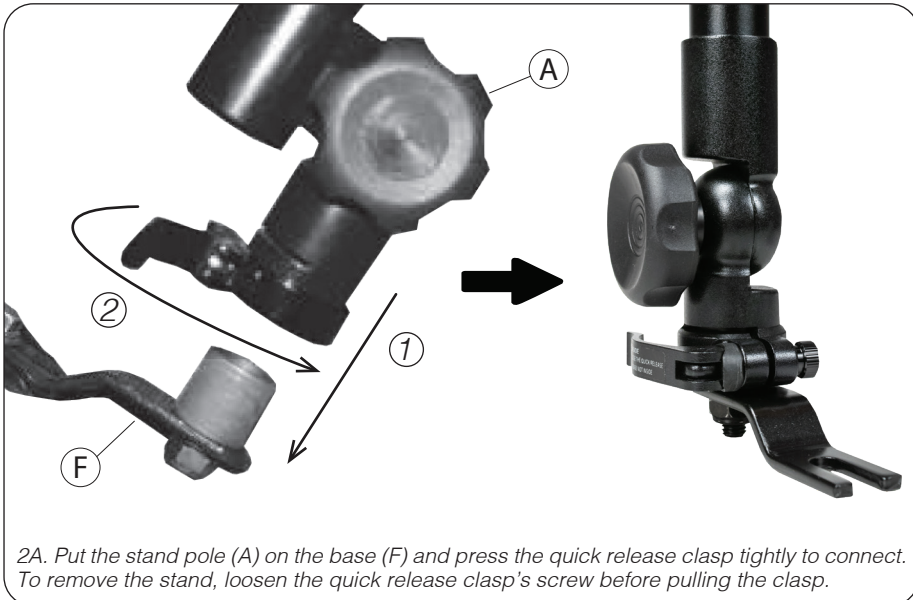


INSTRUCTIONS:

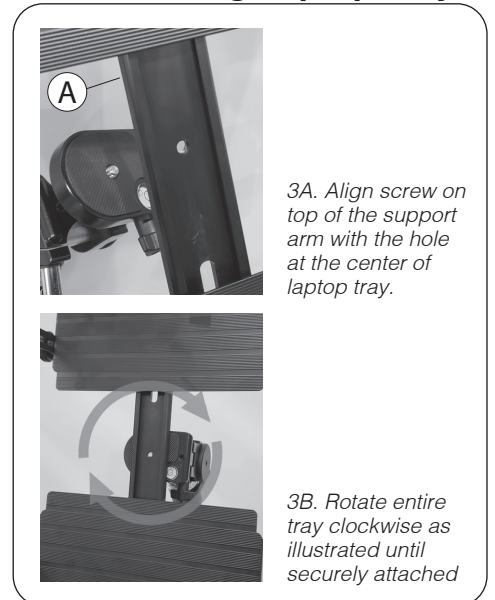
1. Assembling the Base and Mounting to your Vehicle Seat Rail:



2. Attaching Body to Base:



3. Attaching Laptop Tray:



4. Adjusting Laptop Tray Width:



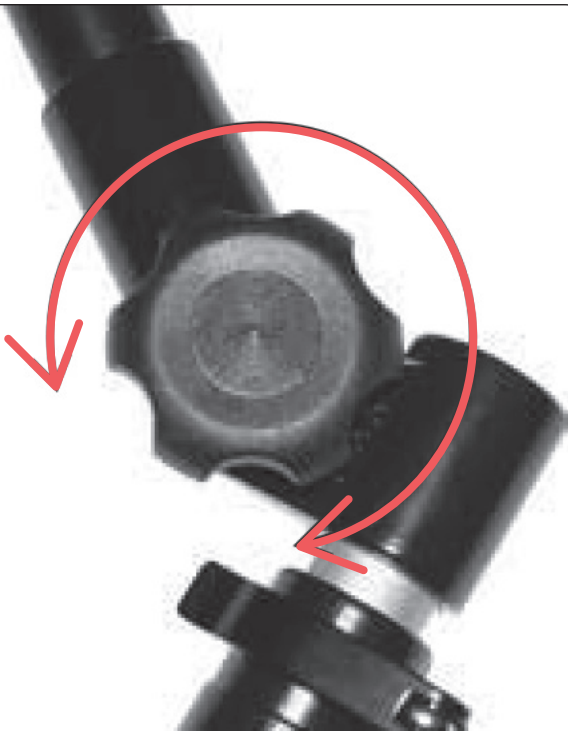
4A. Rotate the knobs located underneath the laptop tray to loosen the connection, and then expand the tray by sliding the knobs outwards. Once its setup in the desired width, rotate the knobs in the opposite direction until securely tightened.

5. Securing Laptop Device to Tray:



5A. Slide the laptop into the tray, and use the (6) immobilizing L-brackets to hold it and secure it to the tray by rotating the knobs to loosen the brackets. Then, adjust them to your desired setup, and rotate the knobs in the opposite direction until securely tightened.

Angle Adjustability



Turn the joint knob counter/clockwise to loosen. Then, find the desired angle, and rotate the knob clockwise to tighten.

Pole Height Adjustability



Pull the upper two clasps to extend the telescopic tubes. Press the clasps back in to lock height in place.

Tilt Adjustability



Rotate each joint to create the desired setup.