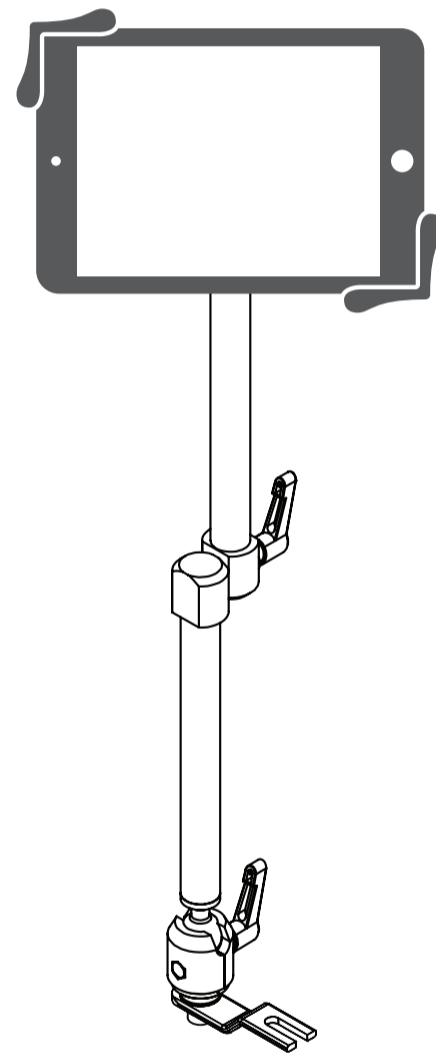




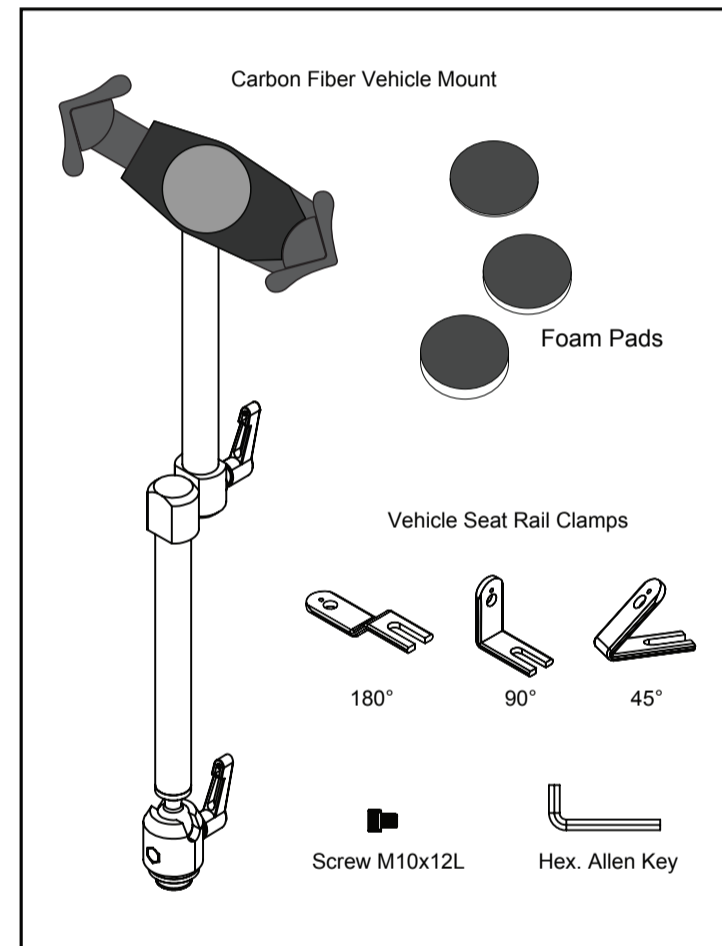
AUT-CFVM

Carbon Fiber Vehicle Mount for 7-14 Inch Tablets INSTRUCTION MANUAL

Thank you for choosing CTA Digital's product. We hope that you will enjoy using it. Please follow the guidelines and instructions as laid out in this instruction manual.

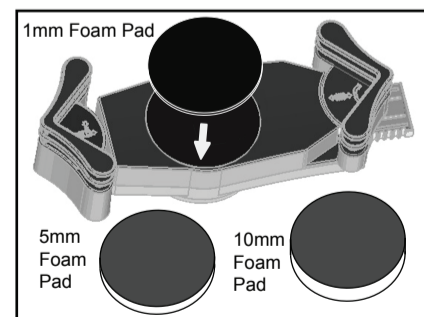


Package Contents:



Instructions:

1. Attaching Foam Pad to Tablet Holder



Select the appropriate foam pad according to the thickness of your tablet (or tablet in its case), then press adhesive side into center of the tablet holder.

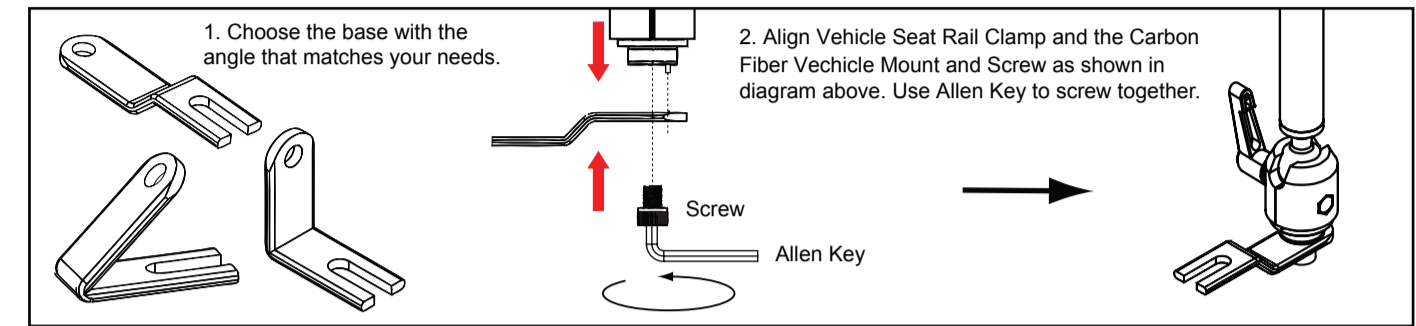
Use this table to determine the appropriate foam pad to use with your tablet.

Note: sizes refer to total tablet size with or without a case.

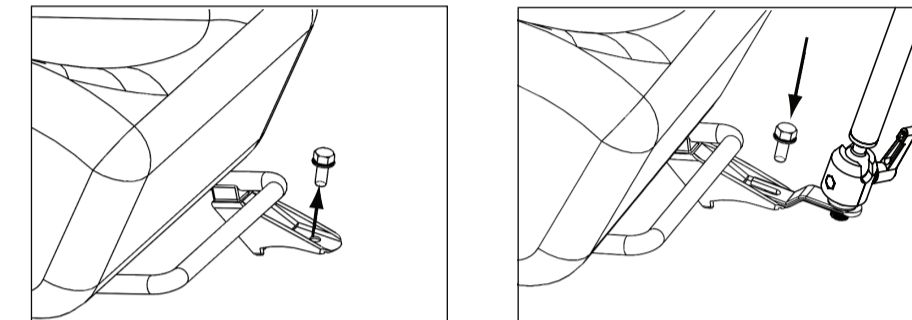
Foam Pad Thickness	Tablet Thickness:
1mm	0.67-1.06in / 17-27mm
5mm	0.51-0.91in / 13-23mm
10mm	0.31-0.71in / 8-18mm

2. Installing Vehicle Seat Rail Clamp to the Carbon Fiber Vehicle Mount

Because each vehicle is different, you will need to determine which included seat rail clamp is best for you.



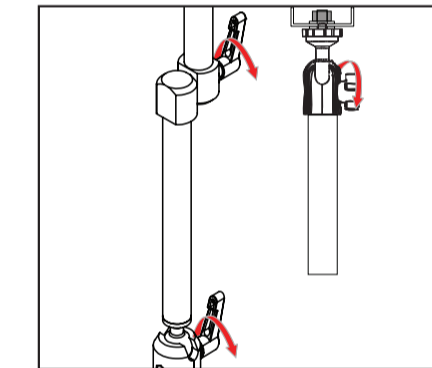
3. Installing Carbon Fiber Vehicle Mount to your Vehicle Seat Rail



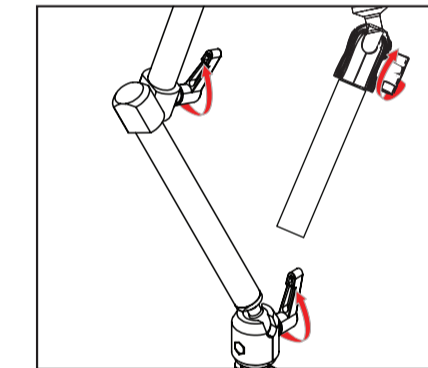
1. Loosen the bolt of the seat rail.

2. Install the assembled Vehicle Seat Rail Clamp and Base set on the seat rail and screw back the bolt.

4. Adjusting the Flex Arm

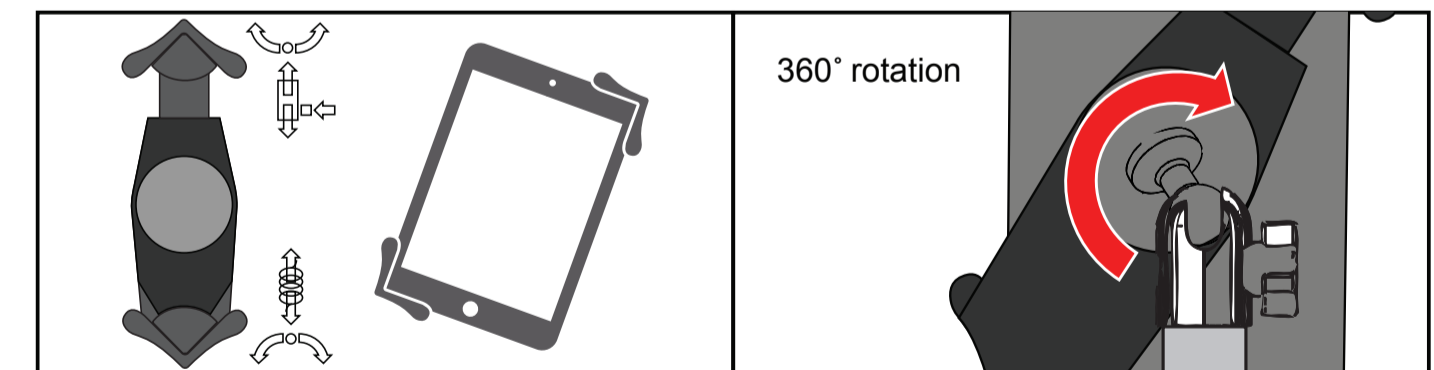


1. Twist the SCREW KNOB (both or Either) anticlockwise to release the connection.



2. Adjust the arm to your favorite position and then tighten the SCREW KNOB clockwise.

5. Installing your Device and Adjusting the Tablet holder



1. Press quick release button on side of tablet holder to release the adjustable end. Insert tablet corner against the spring arm, then push adjustable arm down against opposite corner. Be sure it is as snug as possible.

2. Tablet holder rotates 360 degrees for custom viewing angles.



Caution

Please be sure to fasten all the screws were tightened securely while using the stand.
Not for use while driving.
Max loading : 1KG

SUPPORT@CTADIGITAL.COM