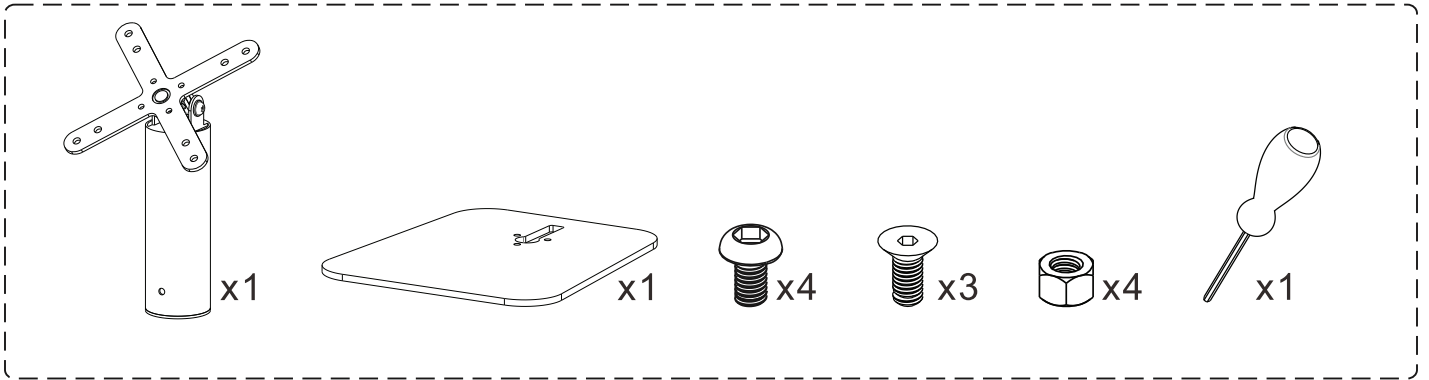




Miniature Single VESA Compatible Table Mount for POS

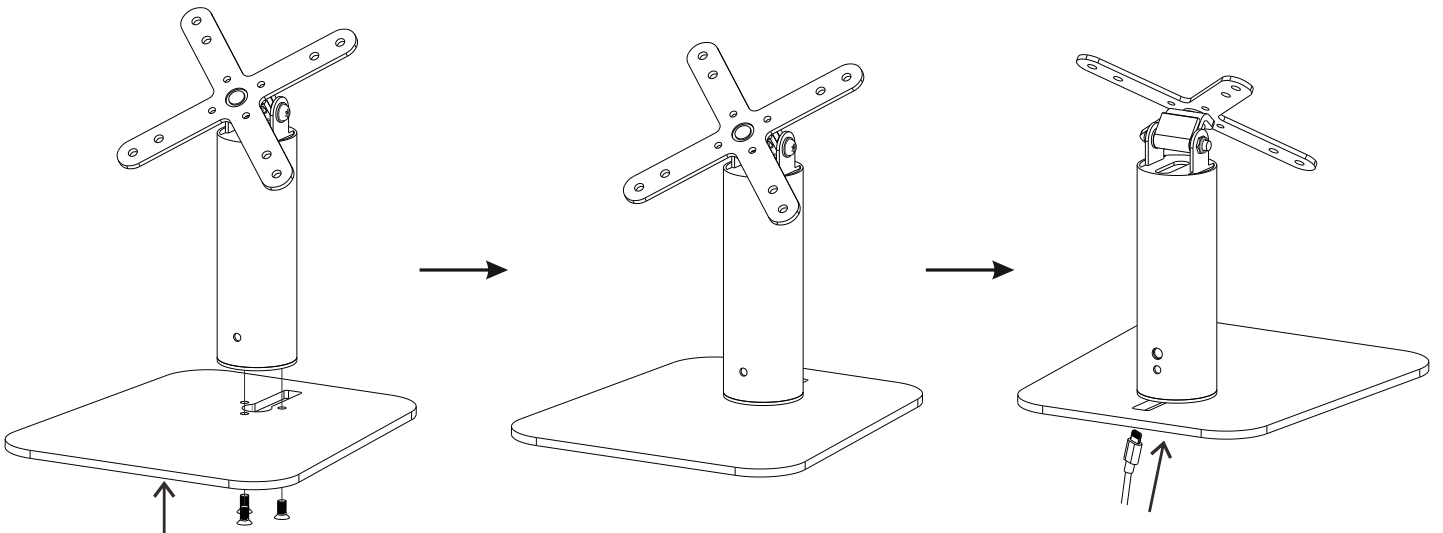
ADD-VPOS1W

INSTRUCTION - MANUAL

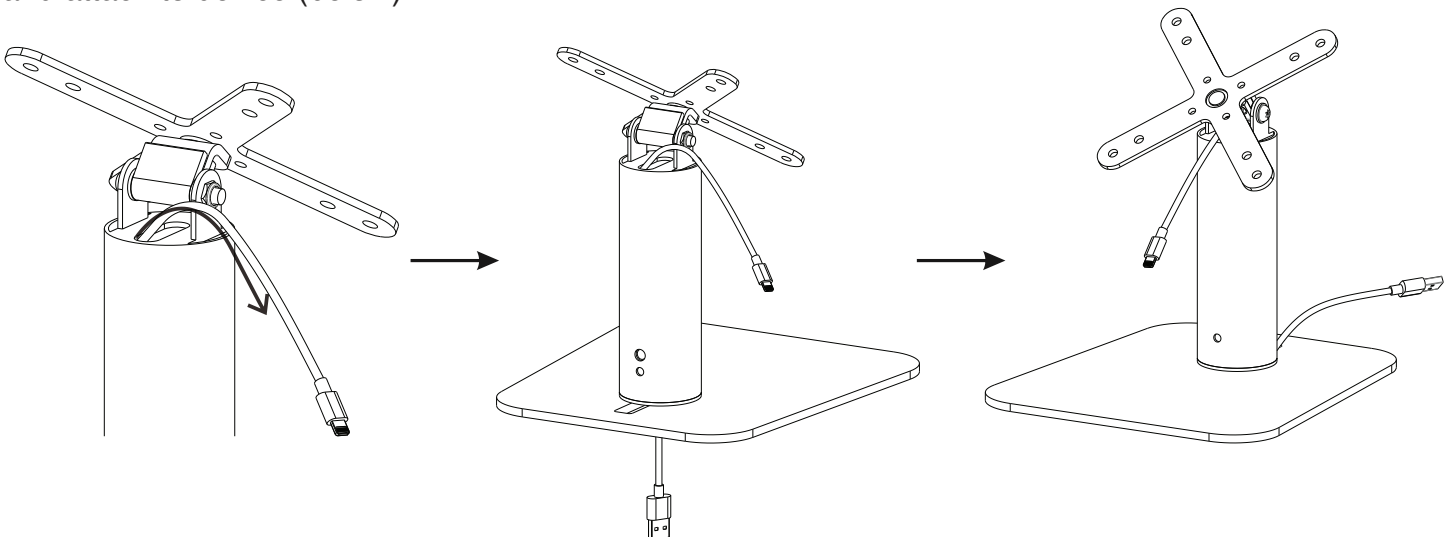


1. Installing base to main body with screws provided from bottom

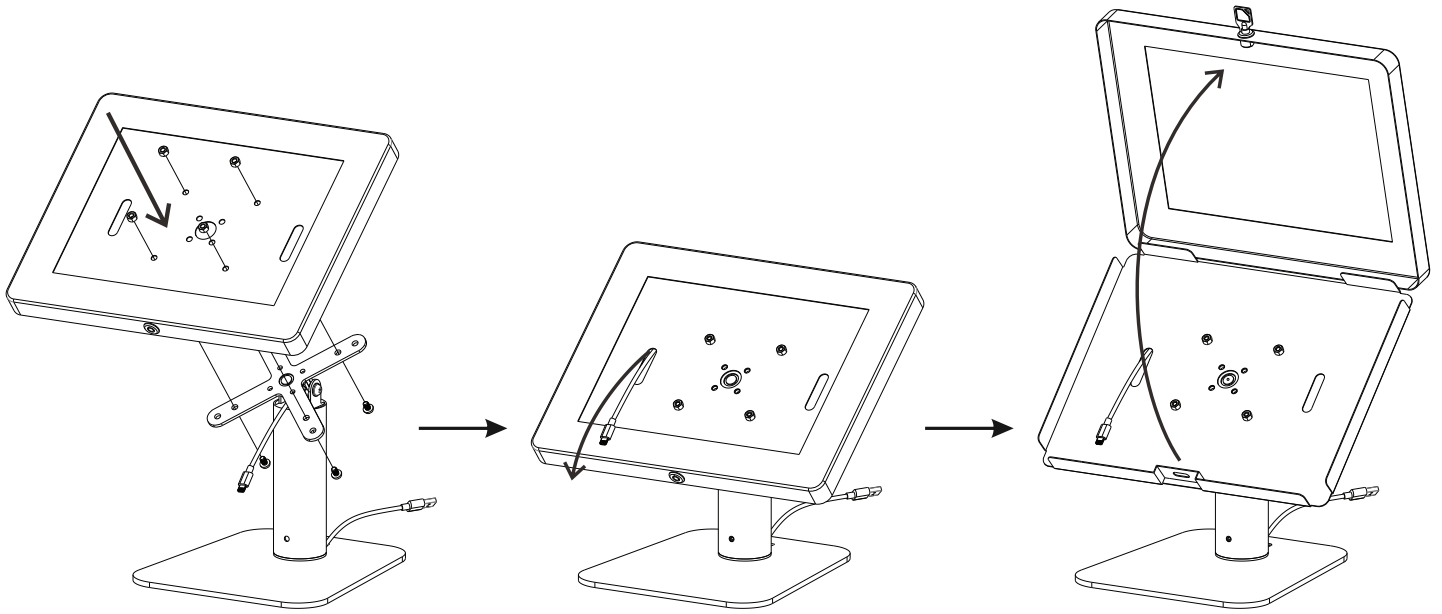
2. Cable Routing from bottom through the main body



3. Complete the cable routing by pulling cable through the opening and attach to device (below)



4. Installing a VESA compatible component to ADD-VPOS1W example



**Tablet Enclosure is not included and only being shown as an example

5. Adjusting body rotation as needed

**Turn Clockwise (as shown) to tighten and prevent rotation. Loosen for rotation capabilities as needed.

