

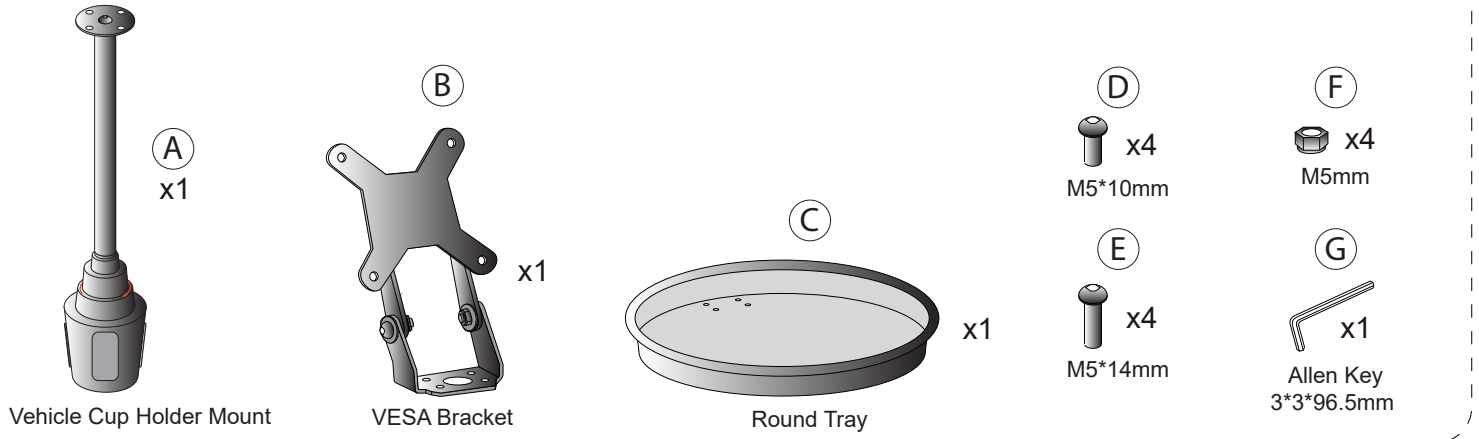


VESA Compatible Vehicle Cup Holder Mount w/ Tray

ADD-VMTRAY

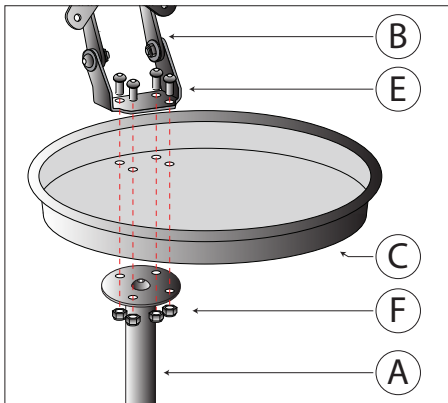
INSTALLATION - MANUAL

CONTENTS:



INSTALLATION:

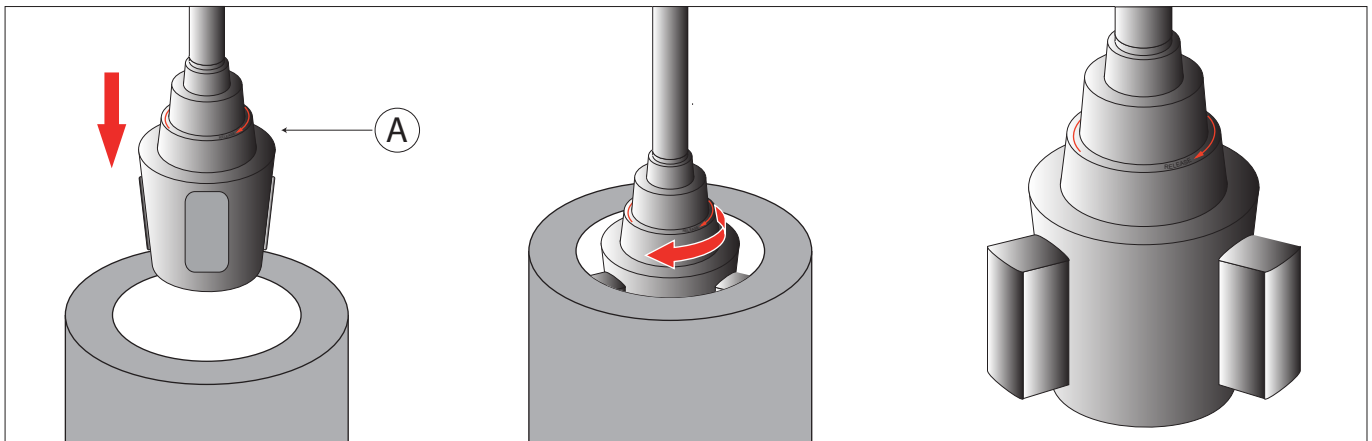
1. Connecting the Custom Flex Vehicle Cup Holder Mount, VESA Bracket & Round Tray



1A. Align the holes of the round piece of the vehicle cup holder mount (A), VESA bracket (B) and round tray (C). Insert a M5*14mm screw (E) while holding a nut (F) from the bottom side, then tighten the screw with the included allen key tool (G).

1B. Repeat step 1 to tighten all (4) screws and nuts.

2. Installing Custom Flex Vehicle Mount into the Cup Holder.



2A. Insert the bottom base of the mount (A) into the cup holder. 2B. Twist the button of the base clock-wise, release the arms to hold it securely.

3. Attaching VESA Compatible Device to VESA Bracket.



3A. Align VESA bracket (B) VESA holes with the device VESA holes. Rotate in with the provided tool (G) until securely fastened