

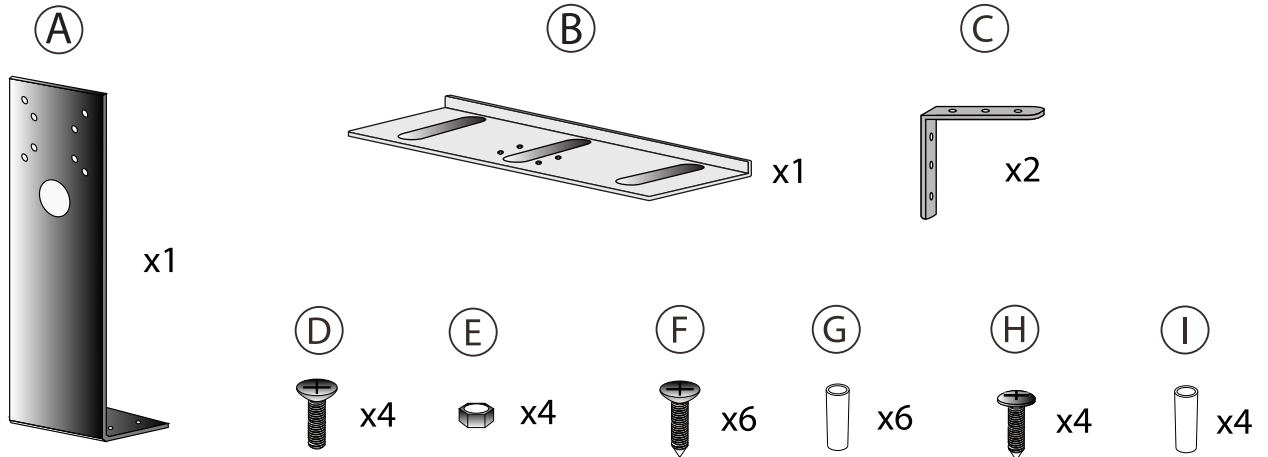


ADD-On VESA Compatible Keyboard Tray (Black/White)

ADD-VKBTB / ADD-VKTBW

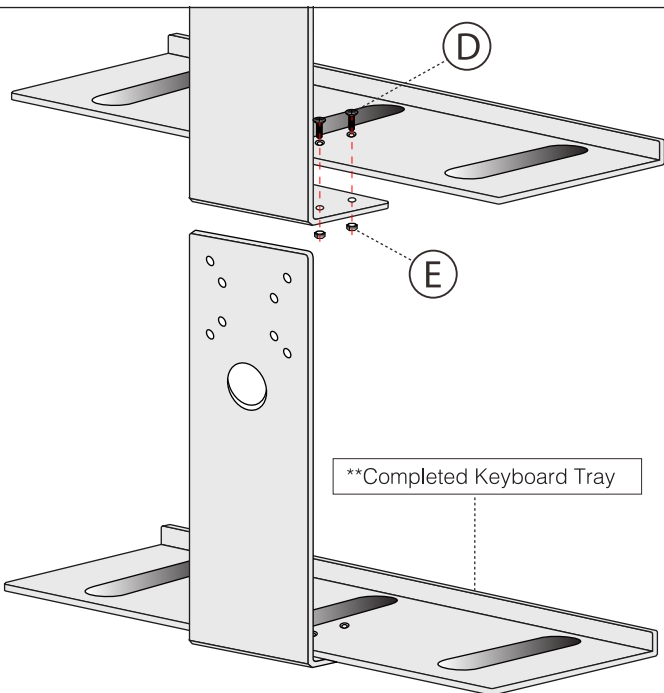
INSTALLATION - MANUAL

CONTENTS:



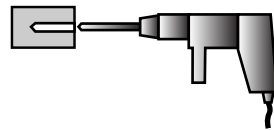
INSTALLATION:

1. Assembling Keyboard Tray:



1A. Align the keyboard tray (B) mounting holes with the wall mount component (A). Rotate in four screws (D) from the top side using a screwdriver or similar tool (not included) while holding hex nuts (E) from behind using a wrench type tool (not included). Rotate until securely fastened.

2. Prepping the Wall for Keyboard Tray



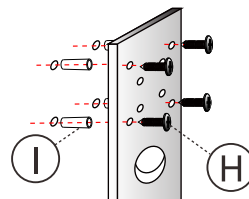
2A. Pre-drill 6mm holes in wall in alignment with the keyboard tray wall mounting holes.

(Drill for illustration purposes and not included)



2B. Insert four anchors (I) into the wall prior to keyboard mounting.

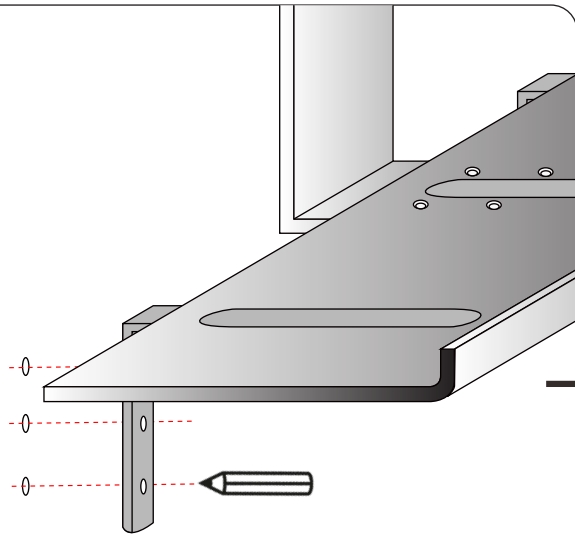
3. Attaching Keyboard Tray to Wall



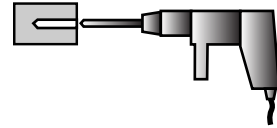
3A. Align the mounting holes of the completed keyboard tray with the pre-drilled holes from Step 2.

Rotate in 4 screws (H) from the front with a screwdriver or similar (not included) until securely tightened.

4. Prepping the Wall for Bracket Supports

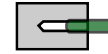


4A. With the keyboard tray now successfully mounted to the wall, place one L-brackets underneath the tray. Mark off with a pencil (not included) to prep for drilling. Mirror this on the other side and repeat the process.



4B. Pre-drill 6mm holes in wall at marked locations.

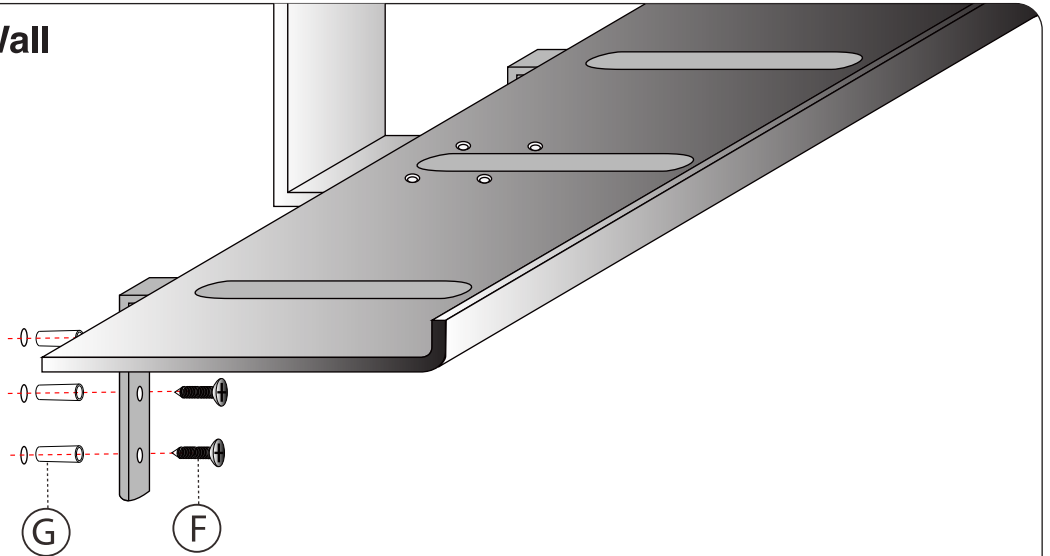
(Drill for illustration purposes and not included)



4C. Insert six anchors (G) into the wall prior to bracket mounting.

5. Attach Brackets to Wall

5A. While aligning bracket mounting holes to the pre-drilled holes in the wall, rotate in screws (F) until securely tightened. Repeat process for the other bracket as well.



6. Attaching Keyboard Tray & Enclosure to Wall

(**Enclosure for illustration purposes and not included)

6A. Align the mounting holes of the completed keyboard tray with the mounting holes of the enclosure and also with the pre-drilled holes from Step 2.

Rotate in 4 screws (H) from the front with a screwdriver or similar (not included) until securely tightened.

