

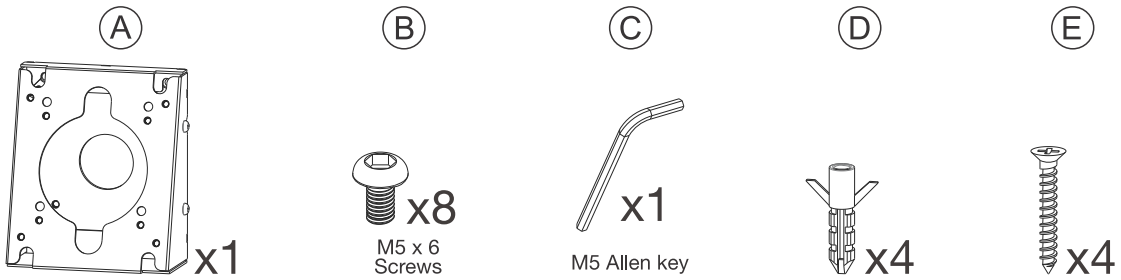


Premium Double VESA Wedge & Outlet/PoE Cover For Tablets (Black/White)

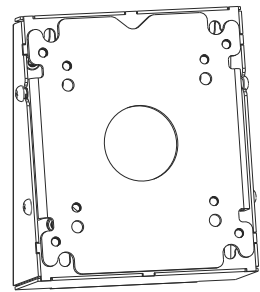
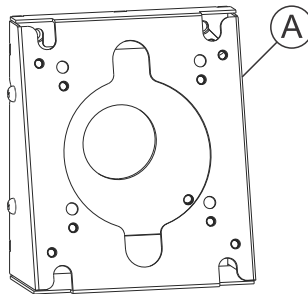
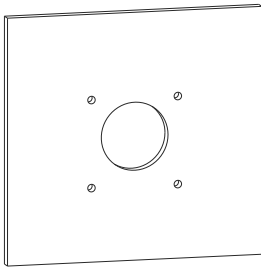
INSTRUCTION MANUAL

ADD-VESAWB/ADD-VESAWW/ADD-VESAWS

Component Checklist

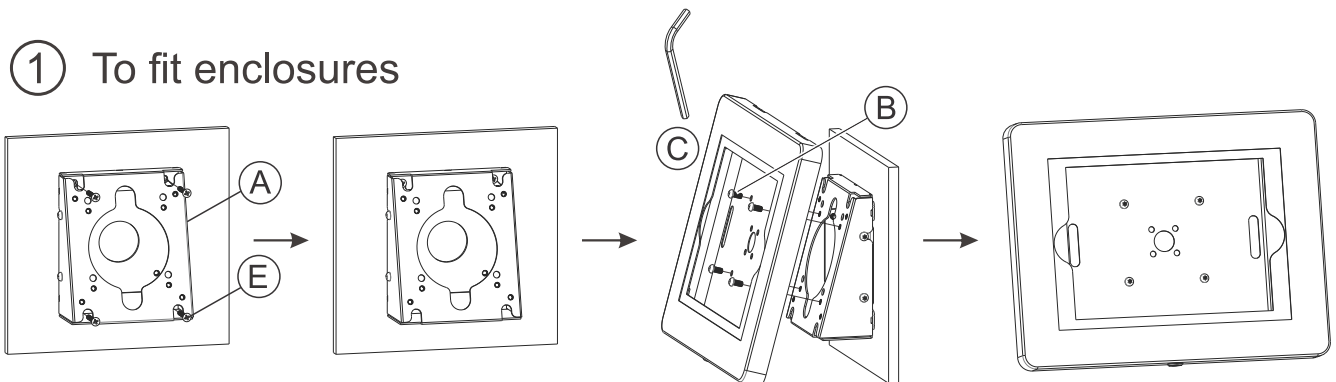


1. To work on wall

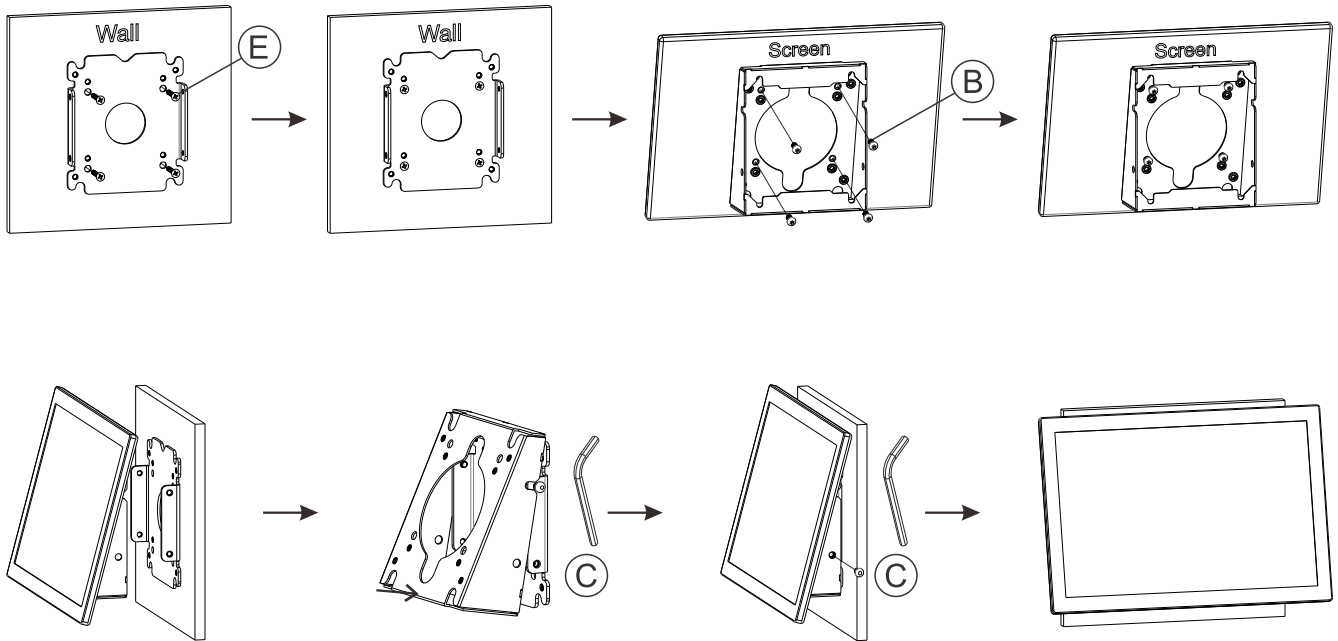


* Can fit enclosures by VESA holes double sides

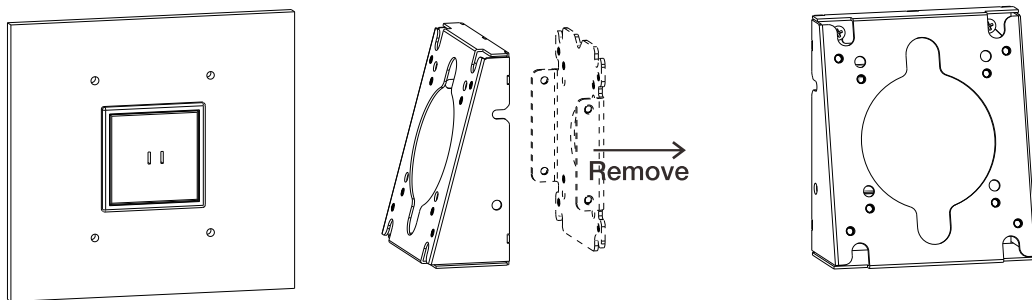
① To fit enclosures



② To fit Monitor Screen or Enclosure which with thread holes



2. To work on outlets



* Can fit enclosures by VESA holes single side

