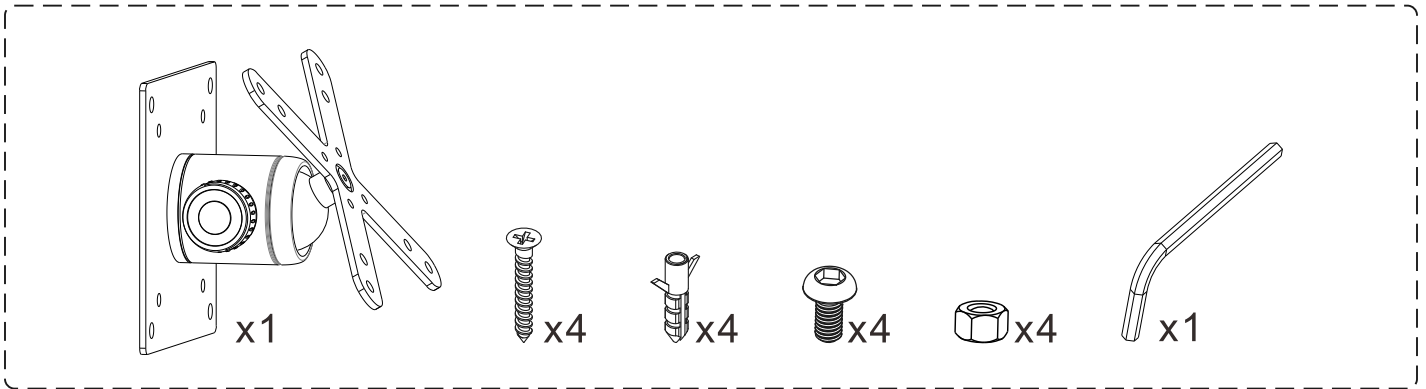




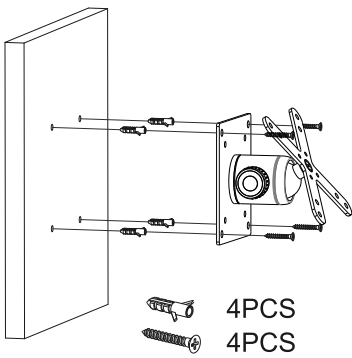
# Rotary & Tilting VESA-Compatible Wall Mount

ADD-VESARBH

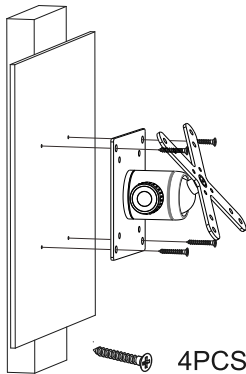
## INSTALLATION - MANUAL



### 1. MOUNTING OPTIONS

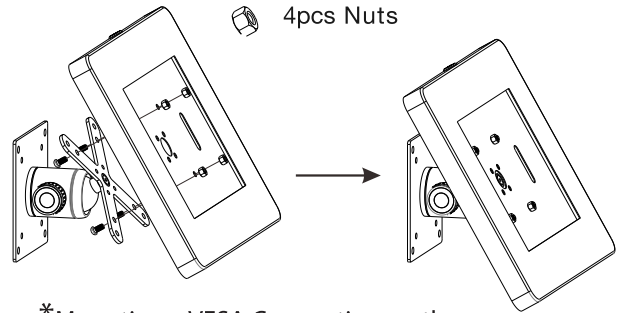


\*Mounting to a Solid Concrete/Block Wall



\*Mounting to a Stud Wall

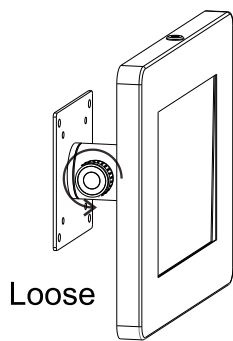
M5 4pcs  
Round end screws  
4pcs Nuts



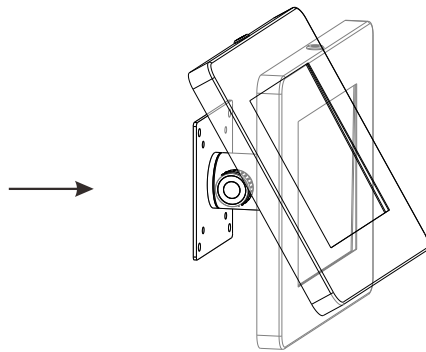
\*Mounting a VESA Connection on the adjustable joint VESA plate example  
\*\*Tablet Enclosure is not included and only being shown as an example

### 2. ADJUSTING THE BALL JOINT

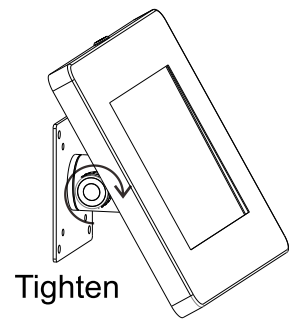
**\*Disclaimer**  
DO NOT ATTEMPT TO MOVE JOINT WHEN BALL JOINT IS TIGHTENED. FAILURE TO COMPLY WILL RESULT IN PRODUCT INTEGRITY AND NOT OPERATING AT FULL CAPACITY. RESPONSIBILITY WILL BE ON USER IF PRODUCT MALFUNCTIONS IN ANY SHAPE OR FORM.



\*Rotate Counter Clockwise to loosen Ball Joint



\*Adjust the VESA connection and the object fixed to the VESA to desired tilt and angle



\*Rotate Clockwise to tighten and put the joint in a static state for use.