



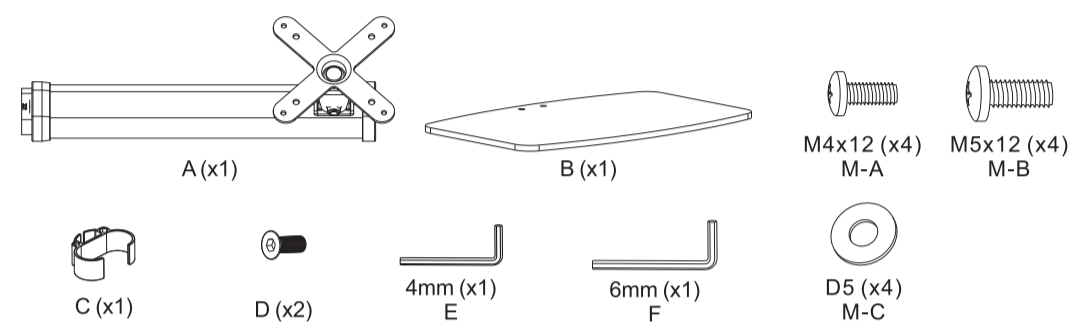
VESA Compatible Desk Stand w/ Height Adjustable Pole (White)

ADD-VADMW

INSTRUCTION MANUAL

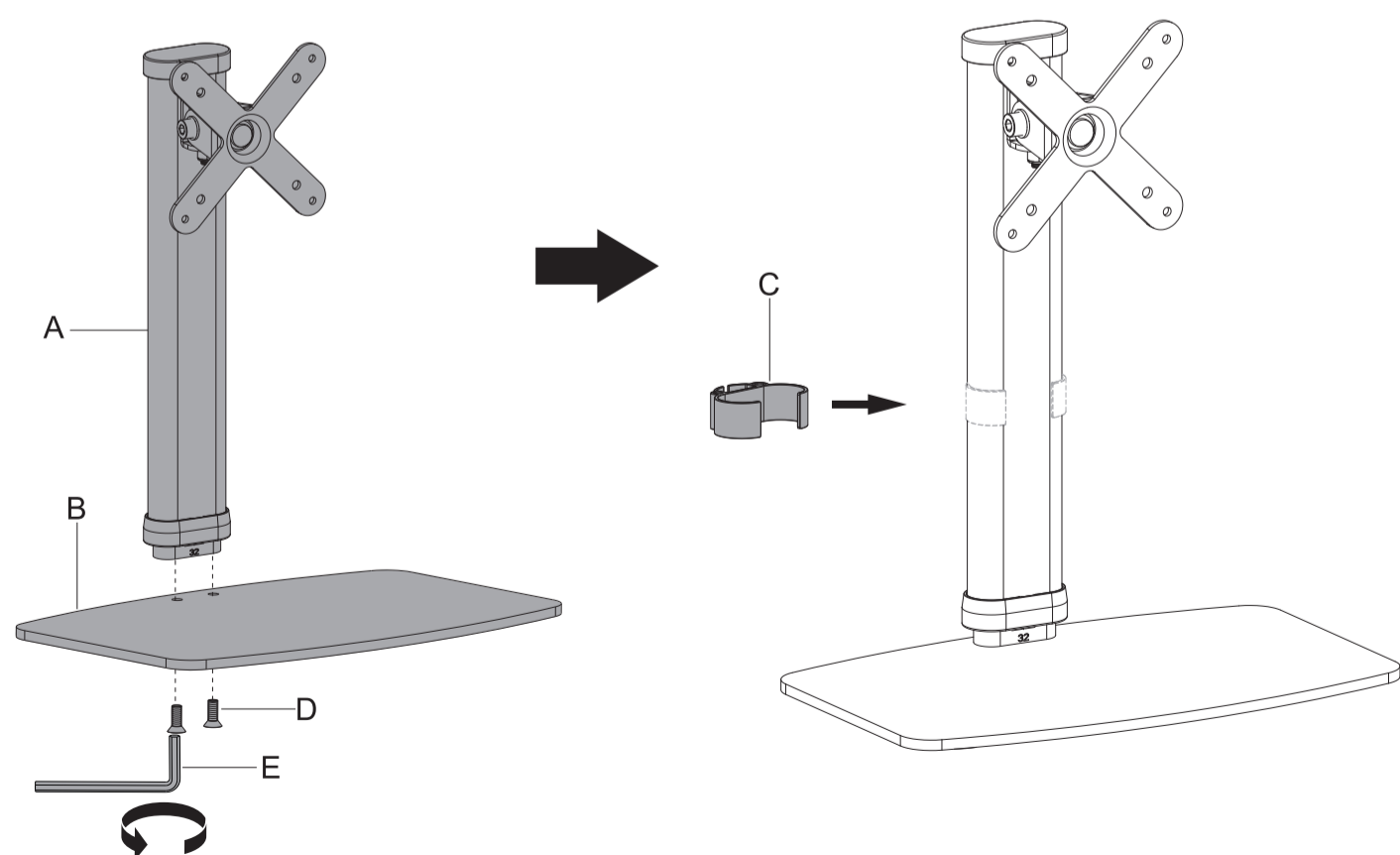
Thank you for choosing CTA Digital's product. We hope that you will enjoy using it. Please follow the guidelines and instructions as laid out in this instruction manual.

Package Contents:



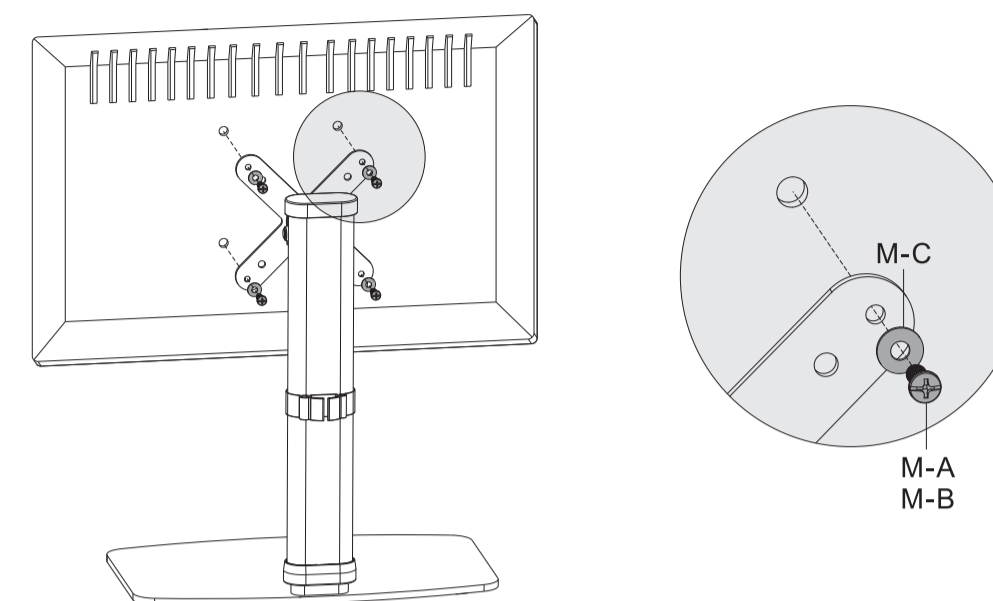
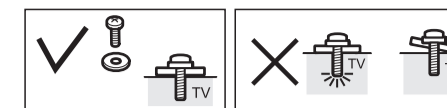
Instructions:

1 CONNECTING POLE WITH BASE AND CLIP



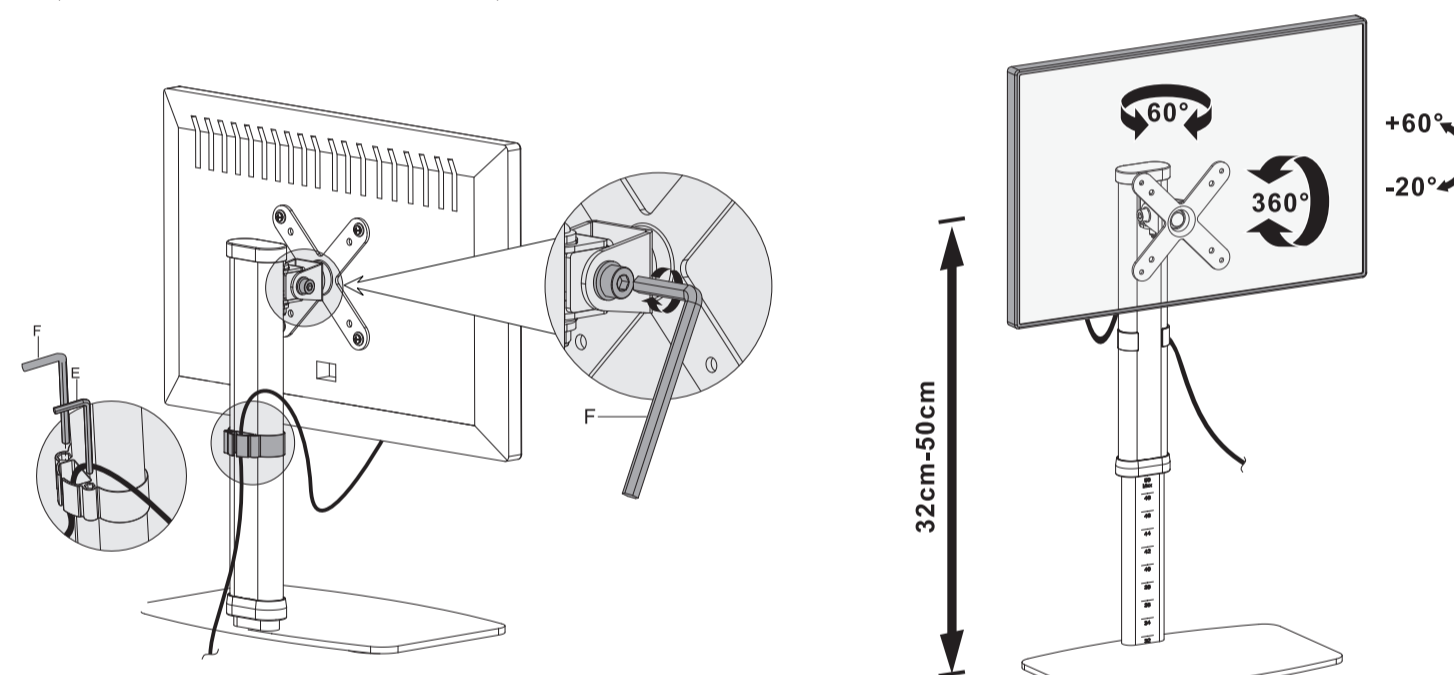
2 WHEN CONNECTING VESA WITH A VESA COMPATIBLE DEVICE

(Monitor for illustration and NOT included)



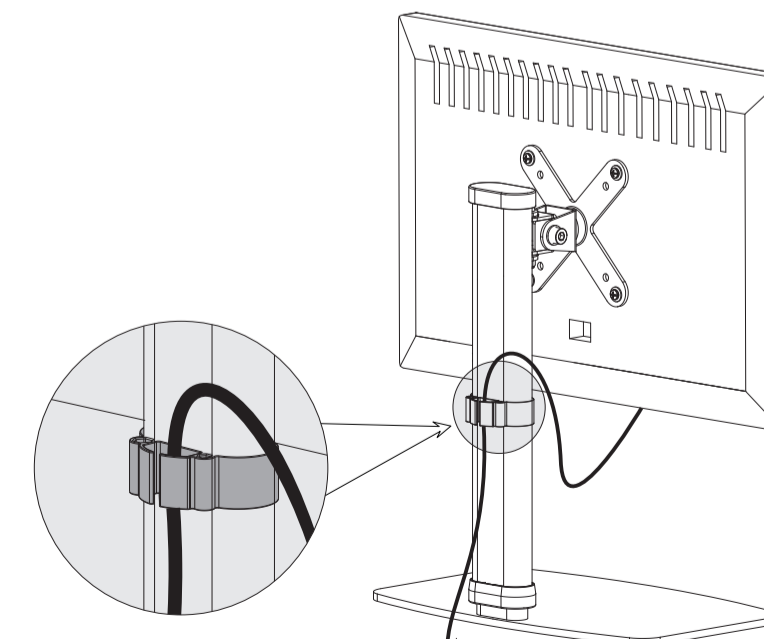
3 ADJUSTING VESA JOINT FOR TILT, SWIVEL AND ORIENTATION ADJUSTABILITY

(Monitor for illustration and NOT included)



4 CABLE ROUTING

Using the provided clips, route the wire from your device to the power source as illustrated to the right. (Monitor for illustration and NOT included)



Caution Please be sure to fasten all the screws securely before using. Failure to do so may compromise integrity.

SUPPORT@CTADIGITAL.COM