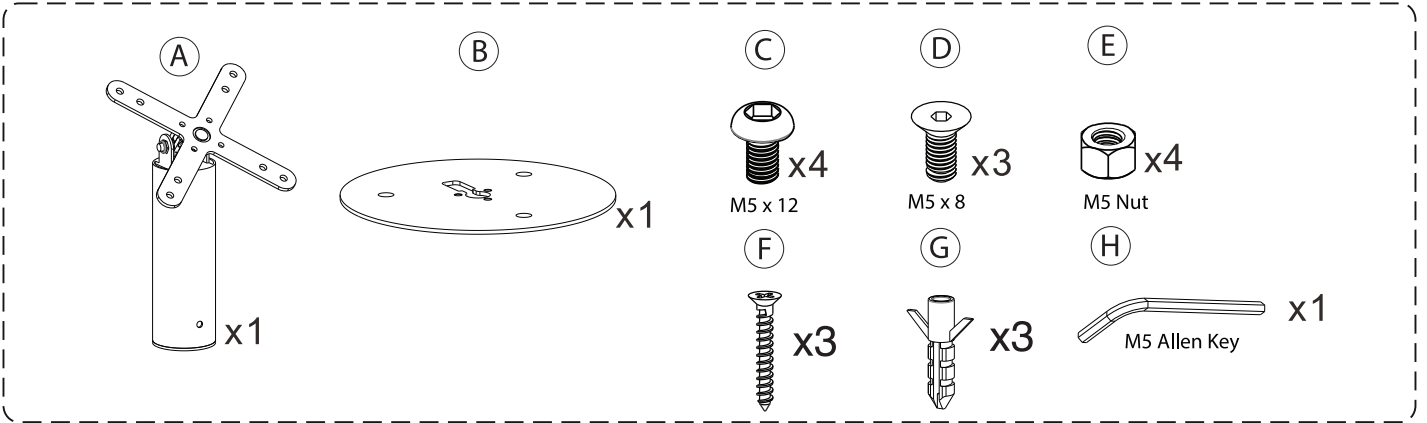




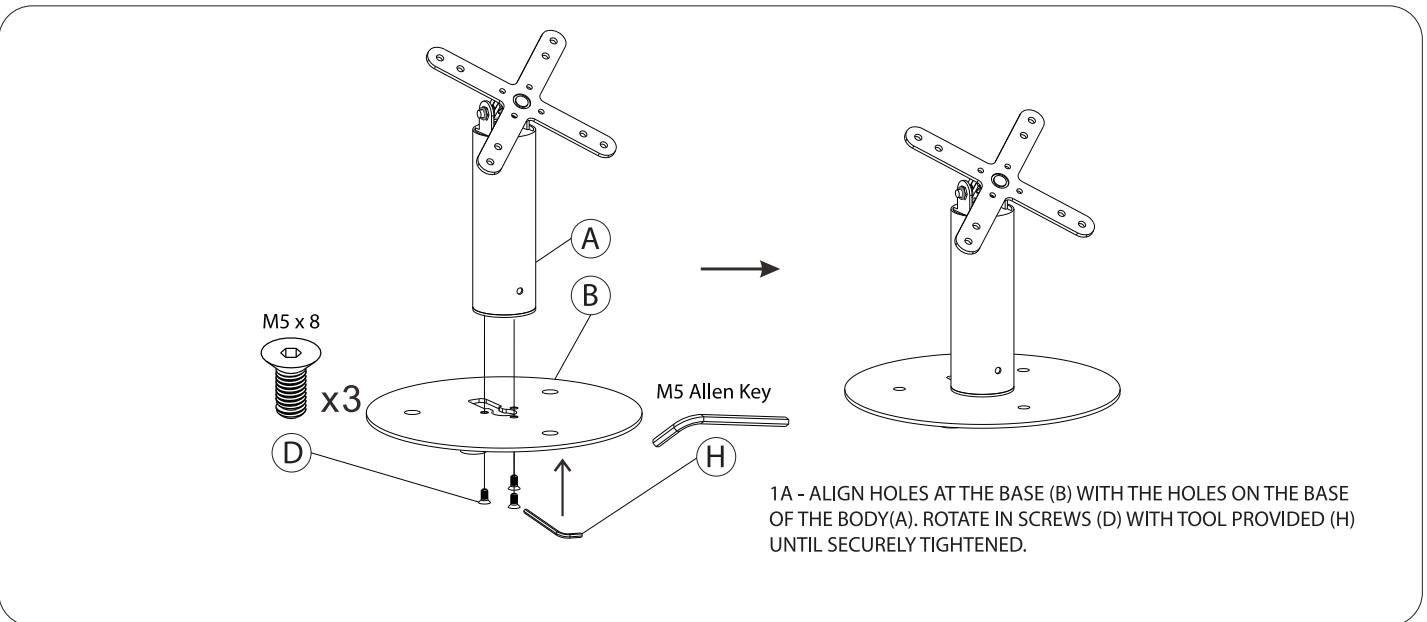
VESA Compatible Desk Mount with 360-Degree Rotation for PAD-UGT & HSKSB

ADD-USGTBP

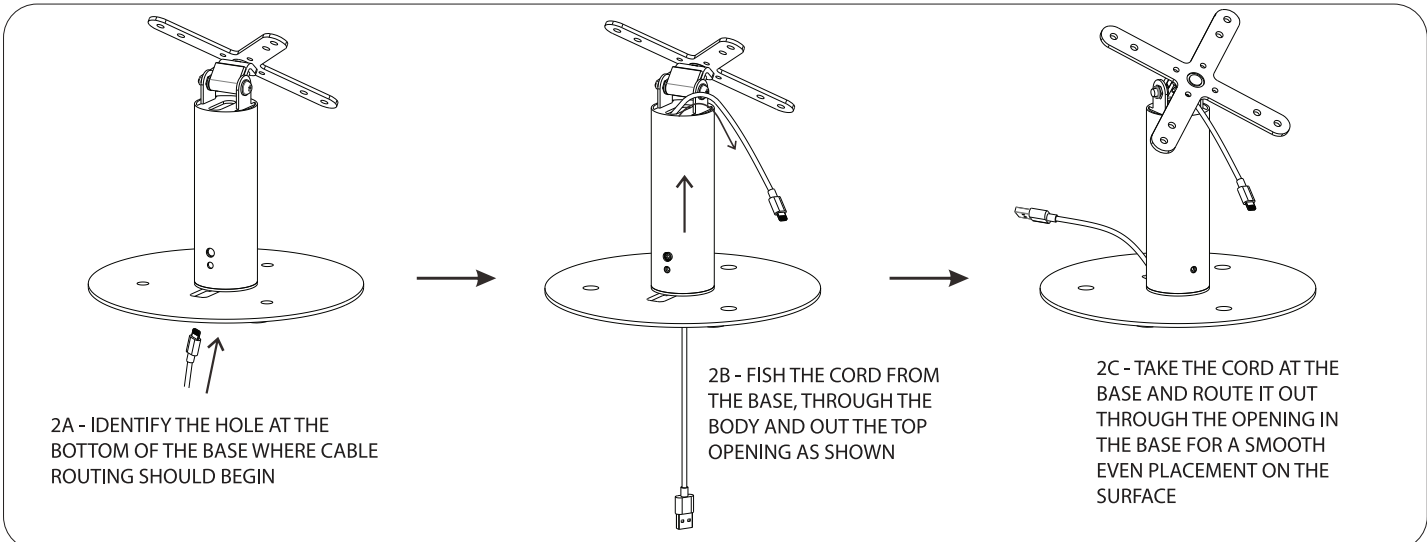
INSTALLATION - MANUAL



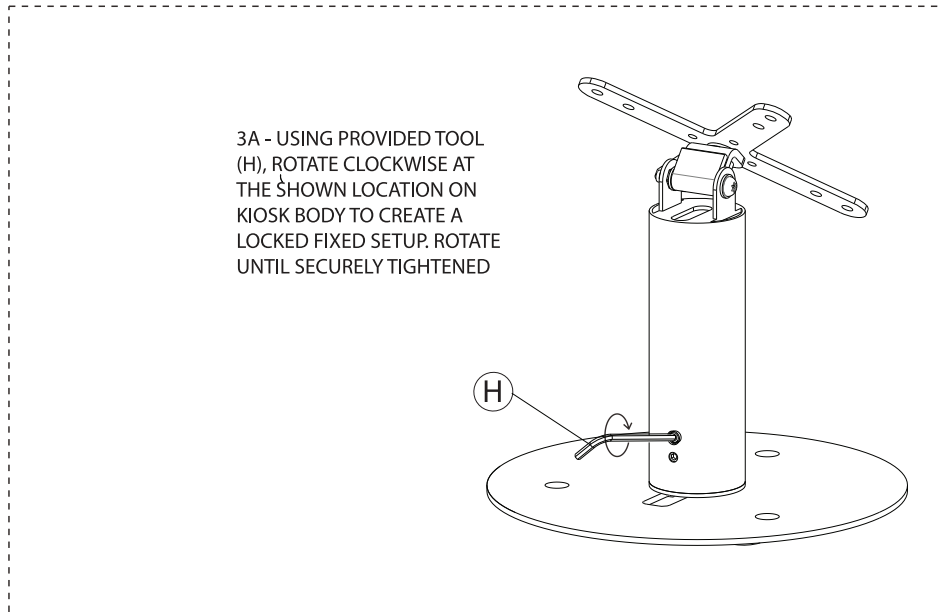
1. ASSEMBLING BASE TO BODY



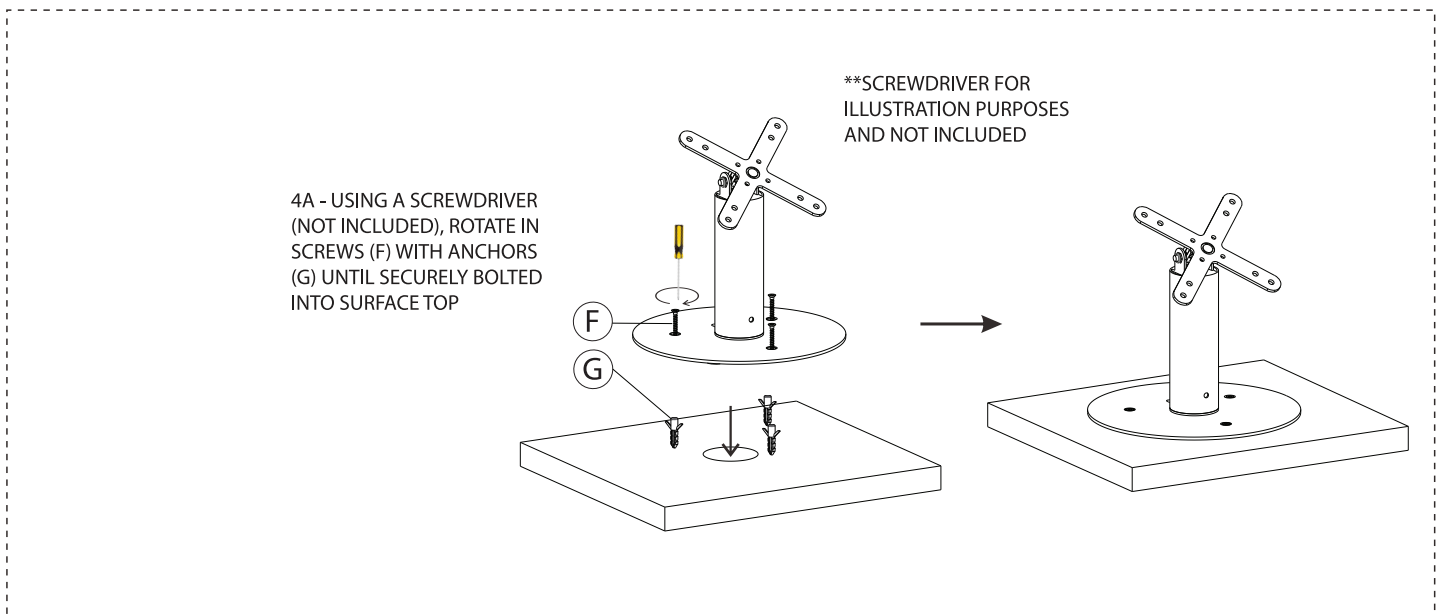
2. SETTING UP CABLE ROUTING



3. (OPTIONAL) FASTEN TO CREATE A FIXED SETUP



(OPTIONAL) MOUNTING TO SURFACE TOP



ATTACHING A VESA COMPATIBLE OBJECT

