



ADD-ULSHW / ADD-ULSHB

Universal Locking Security Holder for 8-12 inch Tablets

INSTRUCTION MANUAL

Thank you for choosing CTA Digital's product. We hope that you will enjoy using it. Please follow the guidelines and instructions as laid out in this instruction manual

PACKAGE CONTENTS:



x1



x1



x1



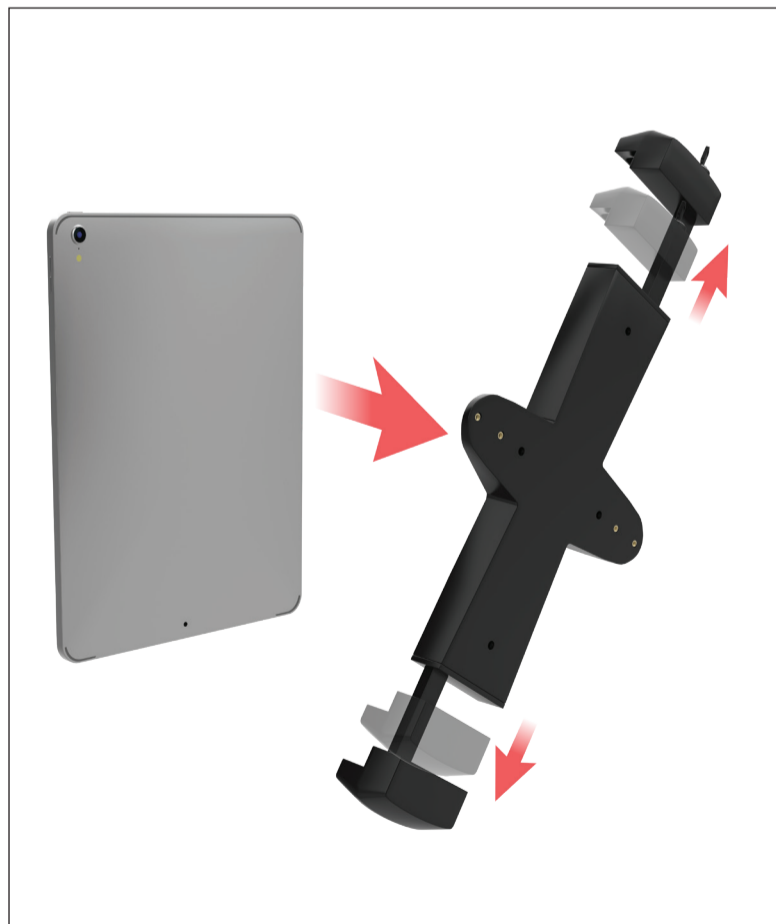
x4



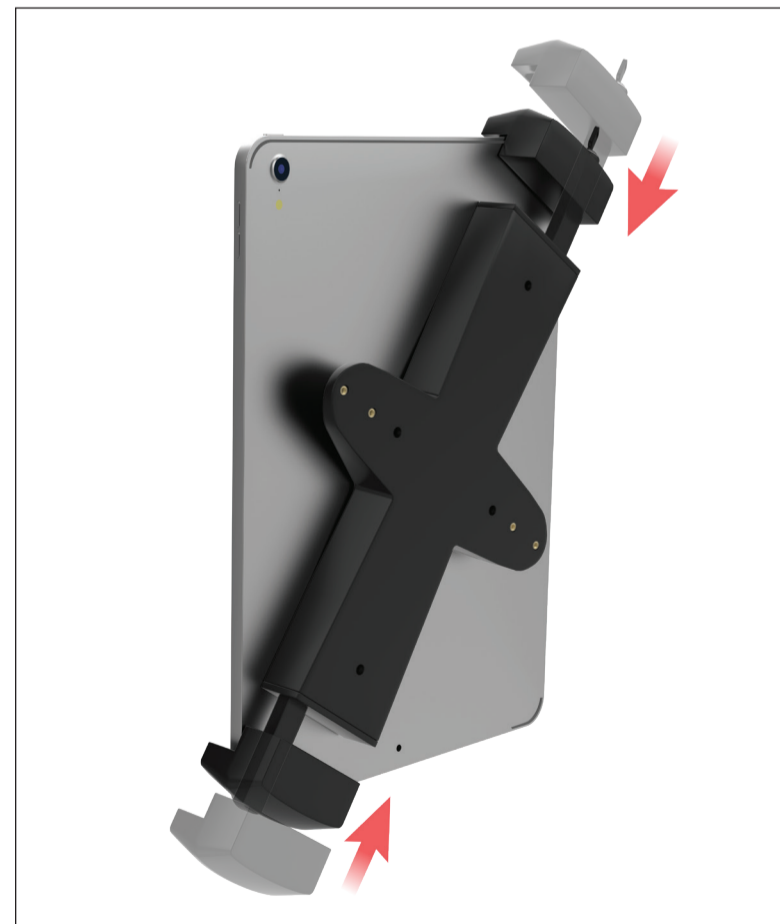
x4

INSTRUCTIONS:

1. How to Fit Tablet into a Holder.



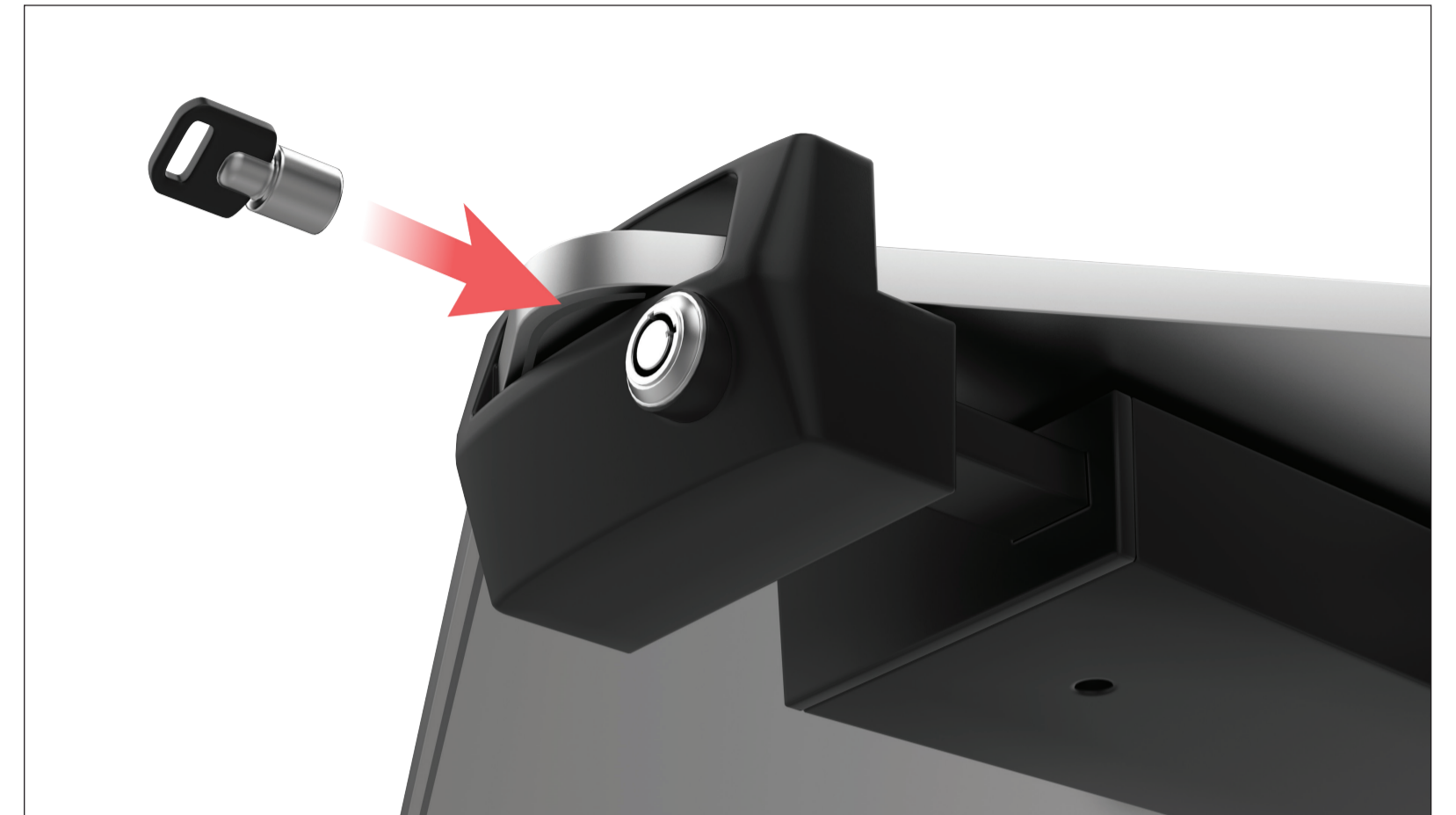
A. Extend the Tablet Holder arms, and then insert Tablet Device into Holder.



B. Adjust the Holder to Fit your Tablet Device.

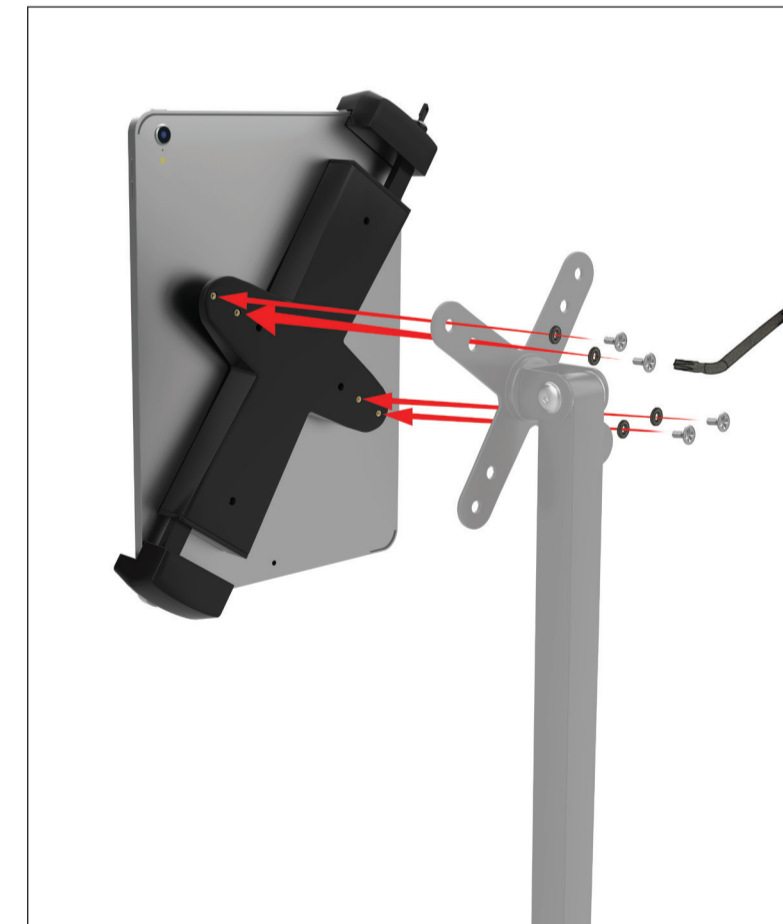
SUPPORT@CTADIGITAL.COM

2. How to Lock Holder.



A. Once the Tablet device is in place, insert the key and rotate it, then remove the key to keep the Holder locked in place.

3. How to Assemble VESA.



A. Using the provided Allen Key tool, rotate in Screws through the washers and VESA plate and into the tablet holder.



B. Rotate in Screws until Securely Tightened.

SUPPORT@CTADIGITAL.COM