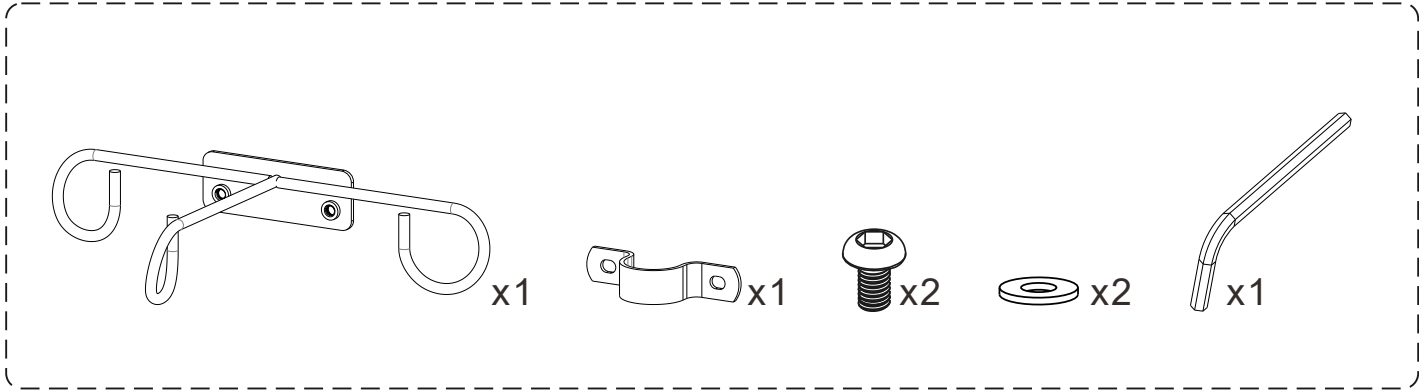




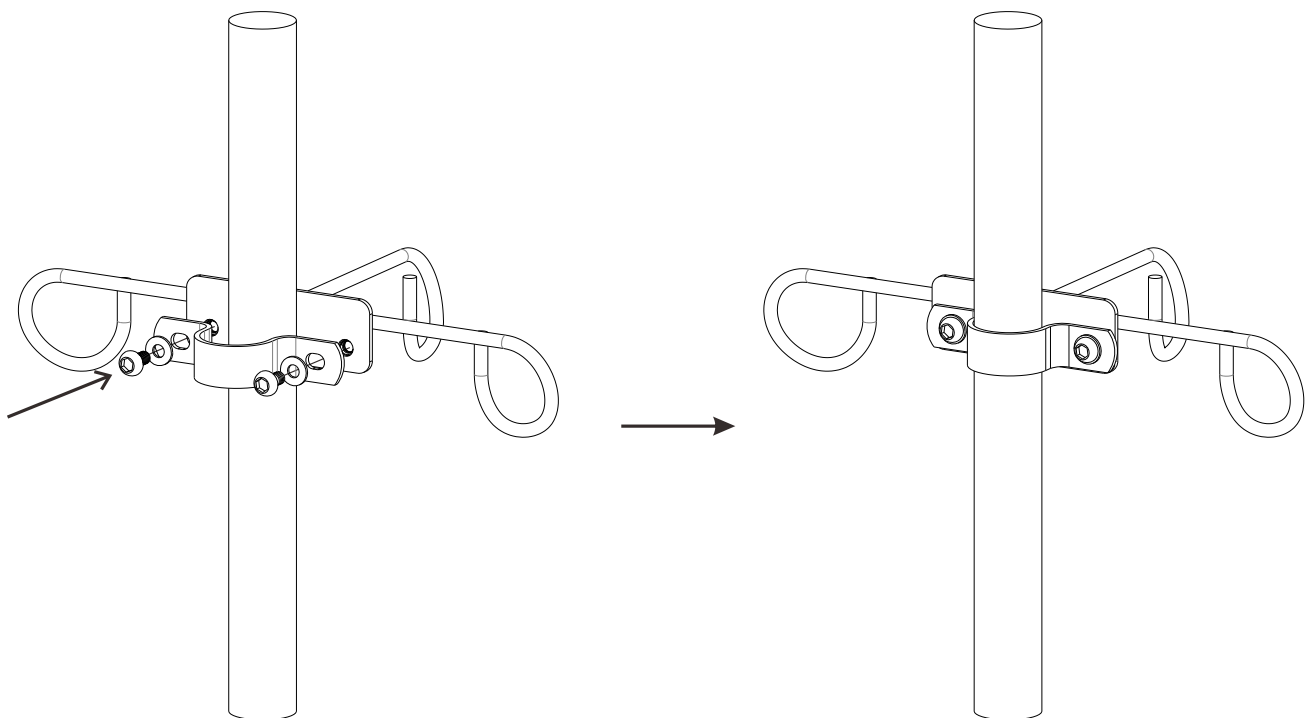
ADD-ON for Transfusion Holder 25mm Pole

ADD-TFHOLD

INSTALLATION - MANUAL



1. ASSEMBLY



*After finding the appropriate sized pole, align clamp holes with transfusion holder holes. Then bolt in screws with washer as shown with included allen key tool. Pole is not included, just to be used as an example in the graphics above.